

MEPV SERIES PRODUCT RANGE 2026

Light up your world with Eurener



eurener
energía solar



MANUFACTURING A BETTER WORLD

Our headquarters.
From Valencia, Spain
& Eurener Italia in Bergamo.

Because we want to democratise energy and empower people to produce their electricity independently, ethically, and sustainably, we manage the production and distribution of aesthetic, durable, and environmentally friendly solar panels.



Langreo, Asturias. SPAIN
Production capacity of 500MW



Gescher, GERMANY
Solar for residential



Contents

6 / 7

EURENER

About us

8 / 9

MEPV SERIES

**PRODUCT
RANGE**

Which Eurener module is the most suitable for your project?

12 / 44

MEPV NEXA SERIES

46 / 58

MEPV ULTRA SERIES

60 / 74

MEPV COLOURED SERIES

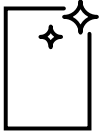
76 / 90

MEPV ICON SERIES

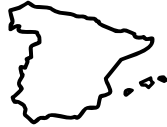
92 / 100

MEPV AGRO SERIES

More than energy



Photovoltaic manufacturers
Know how since 1997



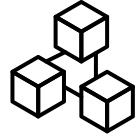
From Spain
European quality worldwide



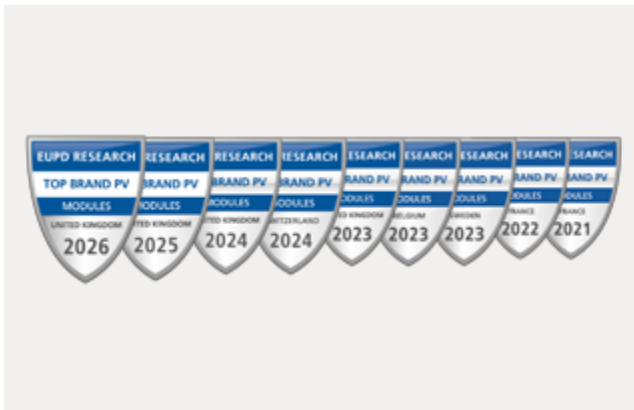
Up to 30 years warranties
The best technology, designed to last



Two-way communication
Personal relationships with our partners



Unlimited logistics
Delivering quality and experience



Eurener is a manufacturer of photovoltaic solar modules specialising in European residential designs. We develop products that prioritise high efficiency and architectural integration in solar installations through premium aesthetics. European Installers rank Eurener modules as "TOP BRAND" by EUPD research.



Platinum Medal by EcoVadis for our sustainability, good labour practices, and business ethics. This award places Eurener in the select group of the top 1% of the most sustainable companies in the world.

Headquartered in Valencia, with more than 28 years of experience and production lines in Spain, we have sales offices in Bergamo and logistic warehouses in several European countries, providing excellent service to our partners worldwide.





Eurener modules are installed in more than 50 countries on all five continents. Specialised in residential, we also manufacture photovoltaic modules suitable for industrial and commercial roofs as well as solar parks. We add more than 3,000MW of solar module capacity in tens of thousands of installations for families, sports complexes, educational centres, public administrations, companies and agricultural uses.

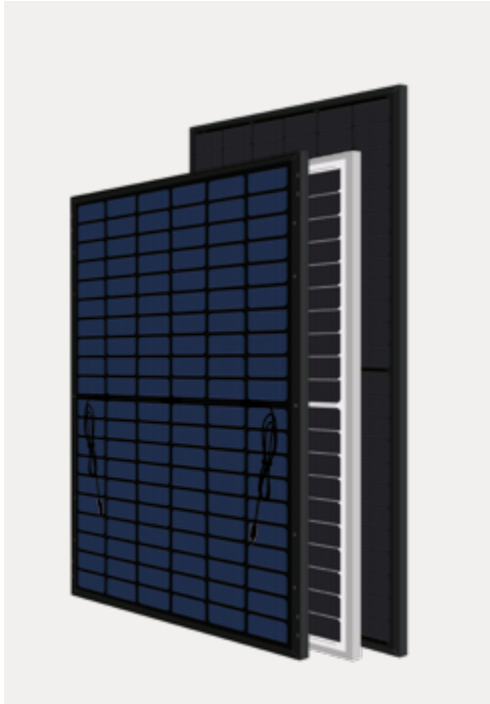
Certificates and recognitions confirm Eurener as a manufacturer that works in detail for its partners, with professionalism and a high degree of social and ethical commitment as attested by regular evaluations that consider the environmental impact of manufacturing, sustainable traceability of components, good labour practices and strict respect for human rights throughout the group's value chain.



The highest credit rating, guarantees of up to 30 years on our photovoltaic modules and a proven performance since 1997 make the Eurener Group a reliable partner.

SINCE
1997
more than
energy 

There is an Eurener module for you



PAG. 12/44

Nexa

TOPCON N-TYPE

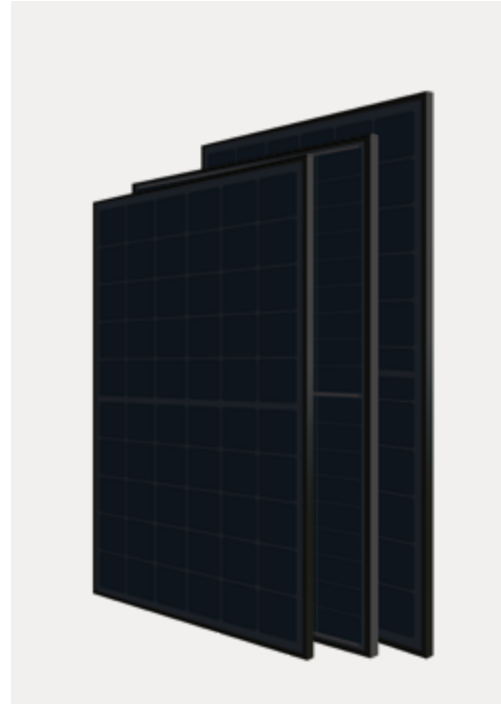
from 420 to 715W

25 Product Warranty
FOR NEXA DG BIF

20 Product Warranty
FOR NEXA AND NEXA PLUS

✦✦ **+5 years** for Premium Partners

30 Performance Warranty



PAG. 46/58

Ultra

BACK CONTACT
N-TYPE

from 400 to 500W

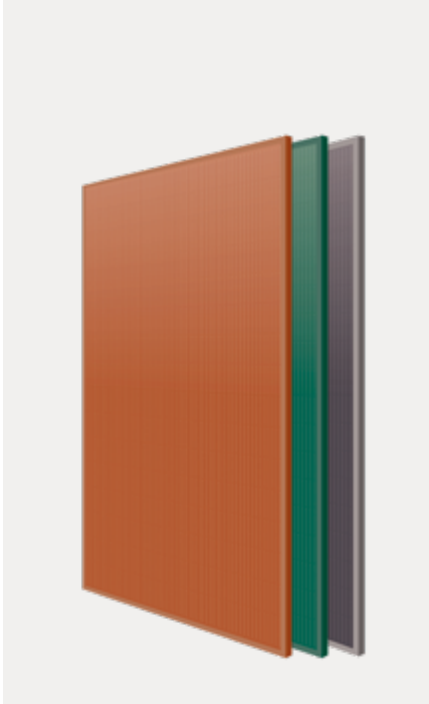
25 Product Warranty
FOR ULTRA DG BIF

20 Product Warranty
FOR ULTRA

✦✦ **+5 years** for Premium Partners

30 Performance Warranty

Reliability and innovation for your projects



PAG. 60/74

Coloured

TOPCON N-TYPE

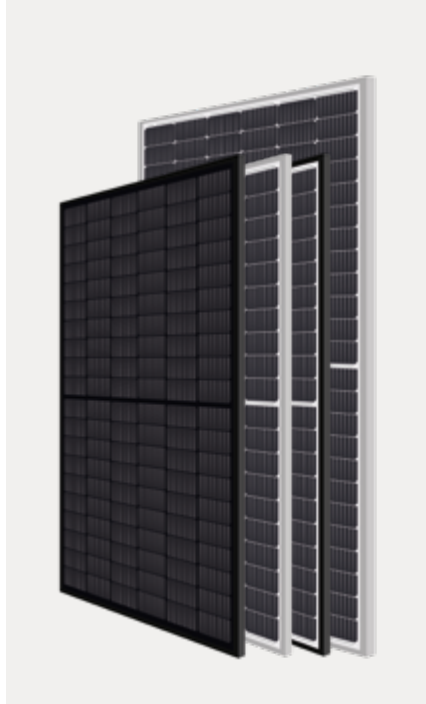
from 125 to 420W

25 Product Warranty
FOR COLOURED DG BIF

20 Product Warranty
FOR COLOURED

✦✦ **+5 years** for Premium Partners

30 Performance Warranty



PAG. 76/90

Icon

PERC

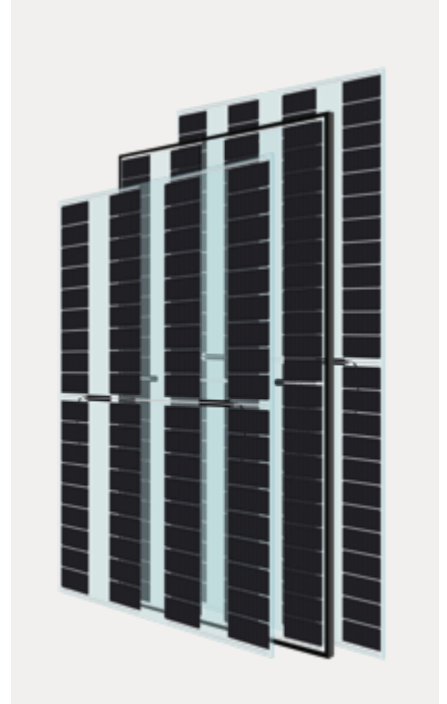
from 375 to 550W

25 Product Warranty
FOR ICON DG BIF

20 Product Warranty
FOR ICON AND ICON PLUS

✦✦ **+5 years** for Premium Partners

30 Performance Warranty



PAG. 92/100

Agro

PERC

from 260 to 365W

25 Product Warranty

✦✦ **+5 years** for Premium Partners

30 Performance Warranty



Jönköping, SWEDEN
Solar for residential





MEPV NEXA Series

↘ *The next level of solar*

The perfect fusion of the latest technologies in a versatile panel, ideal for different types of solar installations. Exceptional warranties and a premium finishing that redefines excellence in solar energy.

NEXA — TOPCON N-TYPE TECHNOLOGY

› from 420 to 715W



TOPCon technology

It adds a thin oxide layer to the cell composition to further reduce recombination losses and increase the efficiency.



N-type cell

Due to their composition, offer higher performance and efficiency than P-type cells and reduce the LID and LeTID effects.



Storm version available

Engineered to resist hail impact up to 40 mm and extreme snow loads up to 15100 Pa.



Matte version available

Anti-glare glass. Measured luminance of 8.000cd/m² (Light incident angle of 10°).



Modules available in double glass with bifacial cells version

More sustainable and reliable modules.

Extra energy yield possibility, thanks to the rear side production of the bifacial cells depending on albedo.



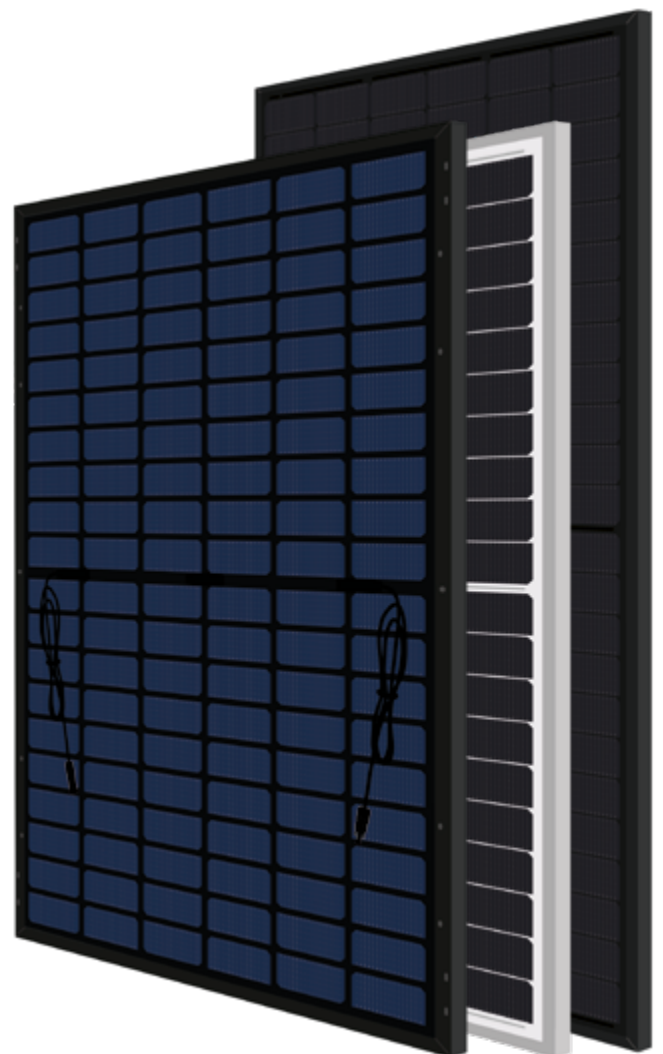
Original MC4 - Evo2

Modules manufactured with original MC4-EVO 2 connectors by default, adding extra security and reliability to the PV system.

25 Product Warranty
FOR NEXA DG BIF

20 Product Warranty
FOR NEXA AND NEXA PLUS

30 Performance Warranty



Module awarded as
TOP INNOVATION



Nexa Storm TOPCon N-type

FRONT SIDE

430 - 450W

› Double Glass Bifacial



Hail resistance
RG4/HW4 certified



Extreme load resistance
Maximum test load (snow) 15100 Pa



Glass glass modules
Front: 3.2 mm | Back: 2 mm



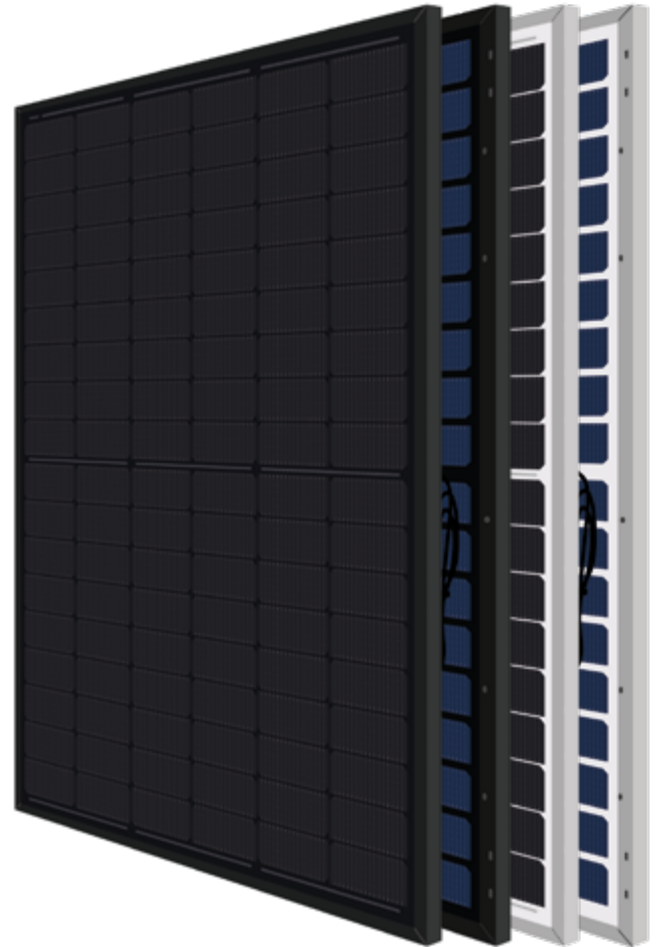
Module efficiency
Module efficiency up to 23.04 %



Bifacial cell
Bifaciality factor: 80 ± 5 %



Original MC4 - Evo2
Extra security and reliability



25 Years

Product Warranty
+5 years for Premium Partners

30 Years

Performance Warranty
Linear Warranty

1% First year degradation

0.38% Annual degradation

88% Power in year 30

Light up your world with Eurener

Eurener's extensive portfolio of certifications and awards is testament to our unwavering commitment to our partners and our deep sense of social and ethical responsibility.



Spanish Quality Worldwide



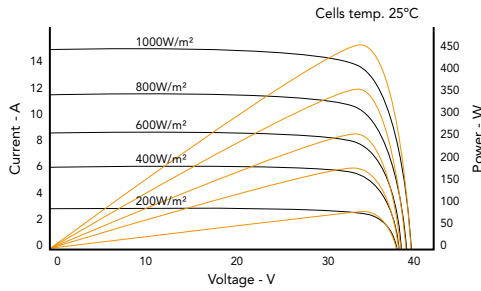
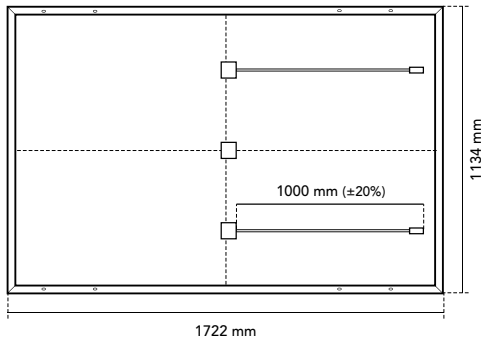
Awarded as TOP Brand PV



EcoVadis Platinum Medal
for three consecutive years



Eurener MEPV — NEXA STORM Double Glass Bifacial 430-450W



Mechanical specification

| | |
|--------------|---|
| Solar cells | N-Type bifacial monocrystalline silicon cells |
| Front Glass | 3.2 mm anti-reflective surface tempered solar glass |
| Back Glass | 2 mm tempered solar glass |
| Frame | Black/silver anodized aluminium |
| Junction Box | IP68, 3 by-pass diodes |
| Connector | Original MC4-Evo 2 |
| Cable | 1000 mm (±20%) length and 4 mm ² section |
| Dimension | 1722 x 1134 x 30 mm (±1%) |
| Area | 1.95 m ² |
| Weight | 27 kg |
| Packaging | 936 pcs/truck |

Temperature coefficients

| | |
|---|-----------------|
| Temperature coefficient of Isc (α) | 0.045 %/°C |
| Temperature coefficient of Voc (β) | -0.275 %/°C |
| Temperature coefficient of Pmax (γ) | -0.29 %/°C |
| Temperature range | -40 °C ~ +85 °C |
| Nominal operating cell temperature (NOCT) | 45 ± 2 °C |

| Electrical characteristics | MEPV 430 | | MEPV 440 | | MEPV 450 | |
|-----------------------------|-------------------|---------|----------|---------|----------|---------|
| | STC | NOCT | STC | NOCT | STC | NOCT |
| Nominal power. Pmax | 430 Wp | 329 Wp | 440 Wp | 337 Wp | 450 Wp | 345 Wp |
| Short-circuit current (Isc) | 14.26 A | 11.47 A | 14.37 A | 11.61 A | 14.52 A | 11.75 A |
| Open-circuit voltage (Voc) | 38.42 V | 36.88 V | 38.91 V | 37.24 V | 39.33 V | 37.61 V |
| Maximum power current (Imp) | 13.52 A | 10.88 A | 13.63 A | 11.01 A | 13.76 A | 11.14 A |
| Maximum power voltage (Vmp) | 31.82 V | 30.27 V | 32.30 V | 30.63 V | 32.71 V | 30.99 V |
| Module efficiency | 22.02 % | | 22.53 % | | 23.04 % | |
| Electrical characteristics | Bifacial gain 10% | | | | | |
| Nominal power. Pmax | 473 Wp | | 484 Wp | | 495 Wp | |
| Short-circuit current (Isc) | 15.63 A | | 15.81 A | | 15.97 A | |
| Open-circuit voltage (Voc) | 38.49 V | | 38.91 V | | 39.33 V | |
| Maximum power current (Imp) | 14.82 A | | 14.99 A | | 15.13 A | |
| Maximum power voltage (Vmp) | 31.91 V | | 32.30 V | | 32.71 V | |

* STC: 1000 W/m², module temperature 25°C, AM 1.5

* NOCT: 800 W/m², ambient temperature 20°C, AM 1.5

Operating parameters

| | |
|--------------------------------|--|
| Maximum voltage | 1500 V |
| Maximum series fuse rating. Ir | 25 A |
| Power output tolerance | 0 - +3 % |
| Voc and Isc tolerance | ± 3 % |
| Fire rating | Broof (t4) (EN 13501-5) |
| | Class A or C (UL 790) |
| Protection class | Class II (IEC 61140) |
| Mechanical loads | Front load 15100 Pa, Back load 3880 Pa |

* Laboratory tested according to standard IEC 61215-2:2021 (MQT 16)

Corporate and product certificates

| |
|--|
| ECOVADIS rating - Platinum Medal (TOP 1%) |
| Solar Industry Forced Labor Prevention Pledge by SEIA |
| ISO9001:2015 - Quality Management Systems |
| ISO14001:2015 - Environmental Management System |
| WEEE compliance in Germany |
| PV CYCLE Italy |
| IEC 61215 - Terrestrial photovoltaic (PV) modules - Design qualification and type approval |
| IEC 61730 - Photovoltaic (PV) module safety qualification |
| IEC 61701 - Photovoltaic (PV) modules - Salt mist corrosion testing |
| IEC 62716 - Photovoltaic (PV) modules - Ammonia corrosion testing |
| IEC TS 62804 - Photovoltaic (PV) modules - Test methods for the detection of potential-induced degradation |
| Hail resistance HW4/RG4 |
| Certificate of Factory Production Control (UK) - MCS |
| Fire reaction class: 1 - LAPI |
| Assessed by Sundahus |
| Swissolar Quality Certificate |



NOTE: All information contained in this data sheet is provided for general information purposes only. Product specifications may be subject to technical modifications. Reception, installation and use shall comply with the applicable Installation Manual, General Conditions of Sale and Warranty Terms and Conditions. The latest versions of all technical documentation are available at www.eurener.com.

SINCE 1997
more than energy

eurener.com
contact@eurenerworld.com
+34 960 045 515
Calle Colón, 1-23
46004, Valencia. Spain

European experts in residential modules

Since 1997 our main purpose has been to supply quality and long-lasting photovoltaic modules that allow us and future generations, to continue generating clean energy to take care of our planet.

Module awarded as
TOP INNOVATION



Nexa Storm TOPCon N-type

FRONT SIDE

460 - 475 W

› Double Glass Bifacial



Hail resistance
RG4/HW4 certified



Extreme load resistance
Maximum test load (snow) 15100 Pa



Glass glass modules
Front: 3.2 mm | Back: 2 mm



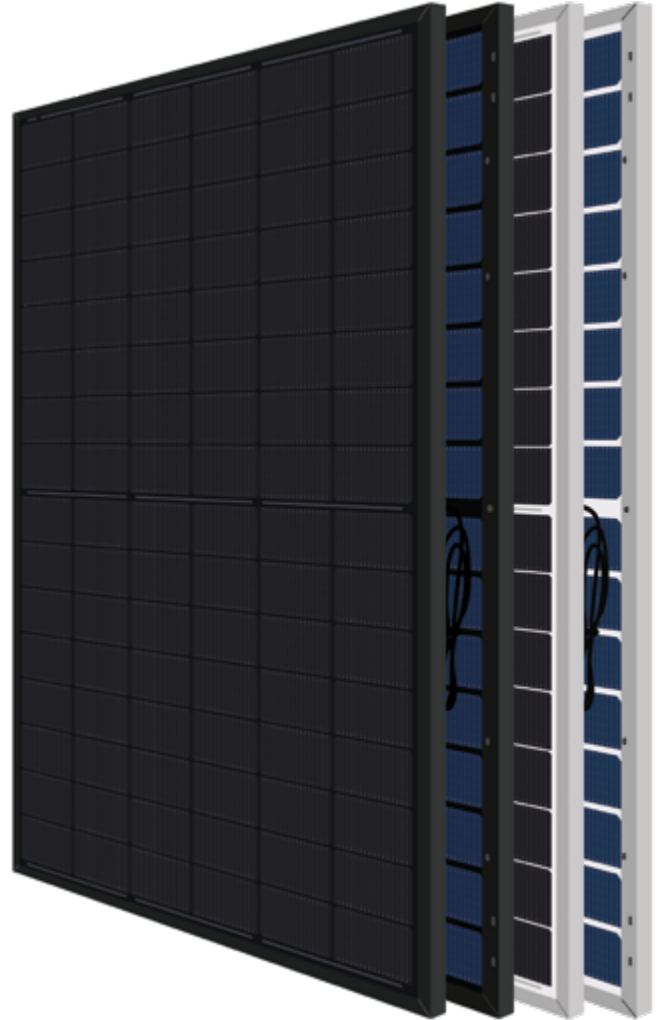
Module efficiency
Module efficiency up to 23.77 %



Bifacial cell
Bifaciality factor: 80 ± 5 %



Original MC4 - Evo2
Extra security and reliability



25 Years

Product Warranty
+5 years for Premium Partners

30 Years

Performance Warranty
Linear Warranty

1% First year degradation

0.38% Annual degradation

88% Power in year 30

Light up your world with Eurener

Eurener's extensive portfolio of certifications and awards is testament to our unwavering commitment to our partners and our deep sense of social and ethical responsibility.



Spanish Quality Worldwide



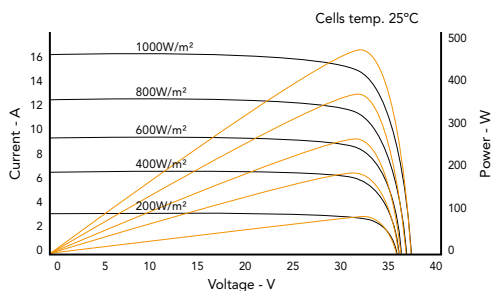
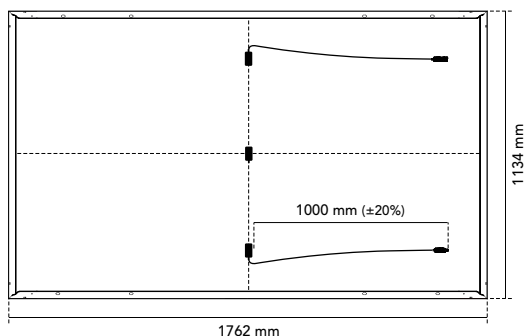
Awarded as TOP Brand PV



EcoVadis Platinum Medal
for three consecutive years



Eurener MEPV — NEXA STORM Double Glass Bifacial 460-475W



Mechanical specification

| | |
|--------------|---|
| Solar cells | N-Type bifacial monocrystalline silicon cells |
| Front Glass | 3.2 mm anti-reflective surface tempered solar glass |
| Back Glass | 2 mm tempered solar glass |
| Frame | Black/silver anodized aluminium |
| Junction Box | IP68, 3 by-pass diodes |
| Connector | Original MC4-Evo 2 |
| Cable | 1000 mm (±20%) length and 4 mm ² section |
| Dimension | 1762 x 1134 x 30 mm (±1%) |
| Area | 2.00 m ² |
| Weight | 28 kg |
| Packaging | 936 pcs/truck |

Temperature coefficients

| | |
|---|-----------------|
| Temperature coefficient of Isc (α) | 0.045 %/°C |
| Temperature coefficient of Voc (β) | -0.25 %/°C |
| Temperature coefficient of Pmax (γ) | -0.29 %/°C |
| Temperature range | -40 °C ~ +70 °C |
| Nominal operating cell temperature (NOCT) | 45 ± 2 °C |

| Electrical characteristics | MEPV 460 | | MEPV 470 | | MEPV 475 | |
|-----------------------------|-------------------|---------|----------|---------|----------|---------|
| | STC | NOCT | STC | NOCT | STC | NOCT |
| Nominal power. Pmax | 460 Wp | 346 Wp | 470 Wp | 353 Wp | 475 Wp | 357 Wp |
| Short-circuit current (Isc) | 15.88 A | 12.90 A | 16.00 A | 13.02 A | 16.10 A | 13.08 A |
| Open-circuit voltage (Voc) | 36.40 V | 33.73 V | 36.67 V | 34.08 V | 36.98 V | 34.09 V |
| Maximum power current (Imp) | 15.00 A | 12.12 A | 15.05 A | 12.18 A | 15.09 A | 12.20 A |
| Maximum power voltage (Vmp) | 30.66 V | 29.09 V | 31.22 V | 29.58 V | 31.49 V | 29.88 V |
| Module efficiency | 23.02 % | | 23.52 % | | 23.77 % | |
| Electrical characteristics | Bifacial gain 10% | | | | | |
| Nominal power. Pmax | 506 Wp | | 517 Wp | | 523 Wp | |
| Short-circuit current (Isc) | 17.46 A | | 17.60 A | | 17.71 A | |
| Open-circuit voltage (Voc) | 36.40 V | | 36.67 V | | 36.98 V | |
| Maximum power current (Imp) | 16.50 A | | 16.56 A | | 16.59 A | |
| Maximum power voltage (Vmp) | 30.66 V | | 31.22 V | | 31.49 V | |

* STC: 1000 W/m², module temperature 25°C, AM 1.5

* NOCT: 800 W/m², ambient temperature 20°C, AM 1.5

Operating parameters

| | |
|--------------------------------|--|
| Maximum voltage | 1500 V |
| Maximum series fuse rating. Ir | 30 A |
| Power output tolerance | 0 - +3 % |
| Voc and Isc tolerance | ± 3 % |
| Fire rating | Broof (t4) (EN 13501-5) |
| | Class A or C (UL 790) |
| Protection class | Class II (IEC 61140) |
| Mechanical loads | Front load 15100 Pa, Back load 3880 Pa |

* Laboratory tested according to standard IEC 61215-2:2021 (MQT 16)

Corporate and product certificates

| |
|--|
| ECOVADIS rating - Platinum Medal (TOP 1%) |
| Solar Industry Forced Labor Prevention Pledge by SEIA |
| ISO9001:2015 - Quality Management Systems |
| ISO14001:2015 - Environmental Management System |
| WEEE compliance in Germany |
| PV CYCLE Italy |
| IEC 61215 - Terrestrial photovoltaic (PV) modules - Design qualification and type approval |
| IEC 61730 - Photovoltaic (PV) module safety qualification |
| IEC 61701 - Photovoltaic (PV) modules - Salt mist corrosion testing |
| IEC 62716 - Photovoltaic (PV) modules - Ammonia corrosion testing |
| IEC TS 62804 - Photovoltaic (PV) modules - Test methods for the detection of potential-induced degradation |
| Hail resistance HW4/RG4 |
| Certificate of Factory Production Control (UK) - MCS |
| Fire reaction class: 1 - LAPI |
| Assessed by Sundahus |
| Swissolar Quality Certificate |



NOTE: All information contained in this data sheet is provided for general information purposes only. Product specifications may be subject to technical modifications. Reception, installation and use shall comply with the applicable Installation Manual, General Conditions of Sale and Warranty Terms and Conditions. The latest versions of all technical documentation are available at www.eurener.com.

SINCE 1997
more than energy

eurener.com
contact@eurenerworld.com
+34 960 045 515
Calle Colón, 1-23
46004, Valencia. Spain

European experts in residential modules

Since 1997 our main purpose has been to supply quality and long-lasting photovoltaic modules that allow us and future generations, to continue generating clean energy to take care of our planet.

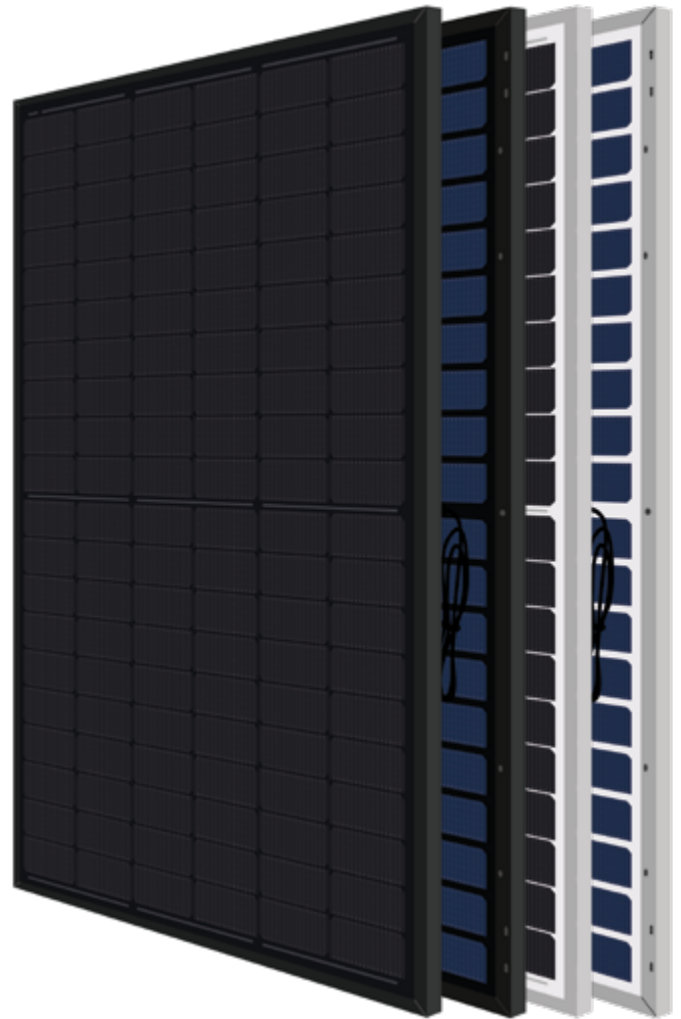


Nexa Storm TOPCon N-type

FRONT SIDE

480 - 500W

› Double Glass Bifacial



Hail resistance
RG4/HW4 certified



Extreme load resistance
Maximum test load (snow) 15100 Pa



Glass glass modules
Front: 3.2 mm | Back: 2 mm



Module efficiency
Module efficiency up to 23.10 %



Bifacial cell
Bifaciality factor: 80 ± 5 %



Original MC4 - Evo2
Extra security and reliability

25 Years

Product Warranty
+5 years for Premium Partners

30 Years

Performance Warranty
Linear Warranty

1% First year degradation

0.38% Annual degradation

88% Power in year 30

Light up your world with Eurener

Eurener's extensive portfolio of certifications and awards is testament to our unwavering commitment to our partners and our deep sense of social and ethical responsibility.



Spanish Quality Worldwide



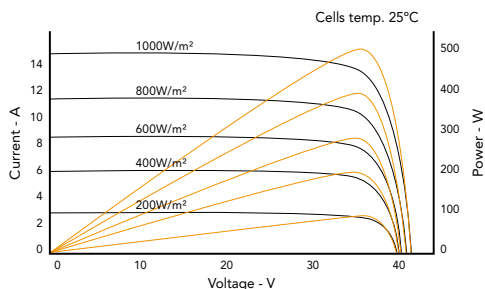
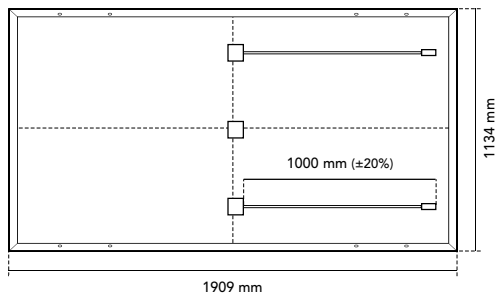
Awarded as TOP Brand PV



EcoVadis Platinum Medal
for three consecutive years



Eurener MEPV — NEXA STORM Double Glass Bifacial 480-500W



Mechanical specification

| | |
|--------------|---|
| Solar cells | N-Type bifacial monocrystalline silicon cells |
| Front Glass | 3.2 mm anti-reflective surface tempered solar glass |
| Back Glass | 2 mm tempered solar glass |
| Frame | Black/silver anodized aluminium |
| Junction Box | IP68, 3 by-pass diodes |
| Connector | Original MC4-Evo 2 |
| Cable | 1000 mm (±20%) length and 4 mm ² section |
| Dimension | 1909 x 1134 x 30 mm (±1%) |
| Area | 2.16 m ² |
| Weight | 30 kg |
| Packaging | 864 pcs/truck |

Temperature coefficients

| | |
|---|-----------------|
| Temperature coefficient of Isc (α) | 0.045 %/°C |
| Temperature coefficient of Voc (β) | -0.275 %/°C |
| Temperature coefficient of Pmax (γ) | -0.29 %/°C |
| Temperature range | -40 °C ~ +85 °C |
| Nominal operating cell temperature (NOCT) | 45 ± 2 °C |

| Electrical characteristics | MEPV 480 | | MEPV 490 | | MEPV 500 | |
|-----------------------------|-------------------|---------|----------|---------|----------|---------|
| | STC | NOCT | STC | NOCT | STC | NOCT |
| Nominal power. Pmax | 480 Wp | 361 Wp | 490 Wp | 369 Wp | 500 Wp | 376 Wp |
| Short-circuit current (Isc) | 14.34 A | 11.55 A | 14.44 A | 11.69 A | 14.52 A | 11.81 A |
| Open-circuit voltage (Voc) | 42.63 V | 40.57 V | 42.95 V | 41.02 V | 43.25 V | 41.43 V |
| Maximum power current (Imp) | 13.60 A | 10.85 A | 13.78 A | 11.01 A | 13.94 A | 11.13 A |
| Maximum power voltage (Vmp) | 35.31 V | 33.27 V | 35.61 V | 33.48 V | 35.88 V | 33.80 V |
| Module efficiency | 22.18 % | | 22.63 % | | 23.10 % | |
| Electrical characteristics | Bifacial gain 10% | | | | | |
| Nominal power. Pmax | 528 Wp | | 539 Wp | | 550 Wp | |
| Short-circuit current (Isc) | 15.72 A | | 15.93 A | | 16.02 A | |
| Open-circuit voltage (Voc) | 42.71 V | | 43.03 V | | 43.31 V | |
| Maximum power current (Imp) | 14.91 A | | 15.11 A | | 15.30 A | |
| Maximum power voltage (Vmp) | 35.42 V | | 35.68 V | | 35.97 V | |

* STC: 1000 W/m², module temperature 25°C, AM 1.5

* NOCT: 800 W/m², ambient temperature 20°C, AM 1.5

Operating parameters

| | |
|--------------------------------|--|
| Maximum voltage | 1500 V |
| Maximum series fuse rating. Ir | 25 A |
| Power output tolerance | 0 - +3 % |
| Voc and Isc tolerance | ± 3 % |
| Fire rating | Broof (t4) (EN 13501-5) |
| | Class A or C (UL 790) |
| Protection class | Class II (IEC 61140) |
| Mechanical loads | Front load 15100 Pa, Back load 3880 Pa |

* Laboratory tested according to standard IEC 61215-2:2021 (MQT 16)

Corporate and product certificates

| |
|--|
| ECOVADIS rating - Platinum Medal (TOP 1%) |
| Solar Industry Forced Labor Prevention Pledge by SEIA |
| ISO9001:2015 - Quality Management Systems |
| ISO14001:2015 - Environmental Management System |
| WEEE compliance in Germany |
| PV CYCLE Italy |
| IEC 61215 - Terrestrial photovoltaic (PV) modules - Design qualification and type approval |
| IEC 61730 - Photovoltaic (PV) module safety qualification |
| IEC 61701 - Photovoltaic (PV) modules - Salt mist corrosion testing |
| IEC 62716 - Photovoltaic (PV) modules - Ammonia corrosion testing |
| IEC TS 62804 - Photovoltaic (PV) modules - Test methods for the detection of potential-induced degradation |
| Hail resistance HW4/RG4 |
| Certificate of Factory Production Control (UK) - MCS |
| Fire reaction class: 1 - LAPI |
| Assessed by Sundahus |
| Swissolar Quality Certificate |



NOTE: All information contained in this data sheet is provided for general information purposes only. Product specifications may be subject to technical modifications. Reception, installation and use shall comply with the applicable Installation Manual, General Conditions of Sale and Warranty Terms and Conditions. The latest versions of all technical documentation are available at www.eurener.com.

SINCE 1997
more than energy

eurener.com
contact@eurenerworld.com
+34 960 045 515
Calle Colón, 1-23
46004, Valencia. Spain

European experts in residential modules

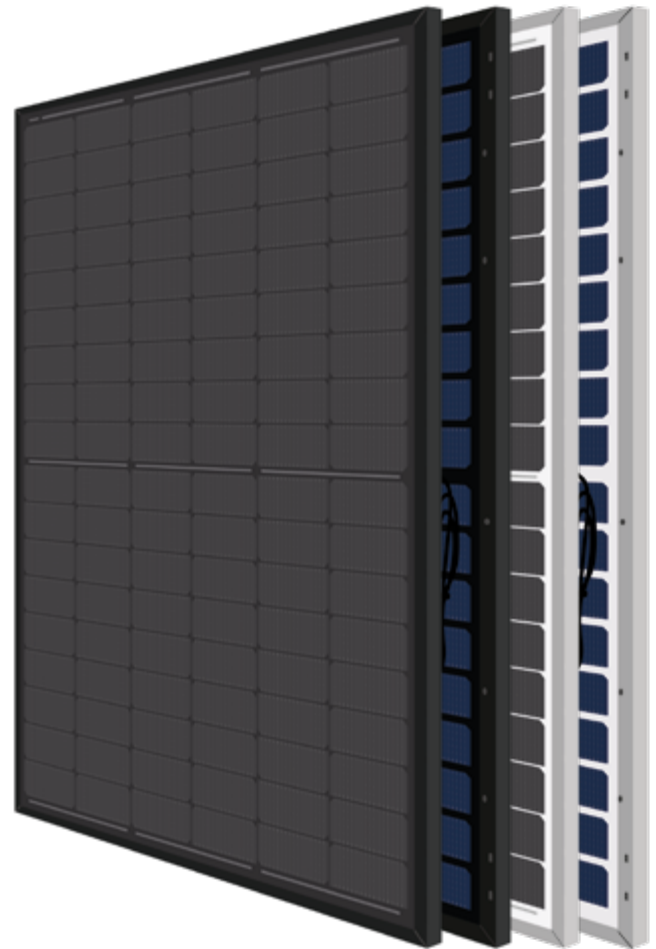
Since 1997 our main purpose has been to supply quality and long-lasting photovoltaic modules that allow us and future generations, to continue generating clean energy to take care of our planet.



Nexa Matte TOPCon N-type

FRONT SIDE
450W

› Double Glass Bifacial



Anti-glare glass
Suitable for airports, roads and facades



Lower luminance
8.000cd/m² (Light incident angle of 10°)



Module efficiency
Module efficiency up to 23.04%



Bifacial cell
Bifaciality factor: 80 ± 5 %



PFAS free
Product free from perfluoroalkyl and polyfluoroalkyl substances

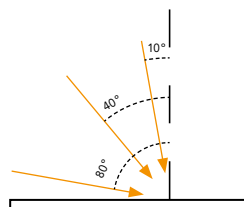


Sustainable product
High percentage of recyclable materials

LUMINANCE



INCIDENT ANGLE



25 years Product Warranty
+5 years for Premium Partners

30 years Performance Warranty
Linear Warranty

1% First year degradation
0.38% Annual degradation
88% Power in year 30

Light up your world with Eurener

Eurener's extensive portfolio of certifications and awards is testament to our unwavering commitment to our partners and our deep sense of social and ethical responsibility.



Spanish Quality Worldwide



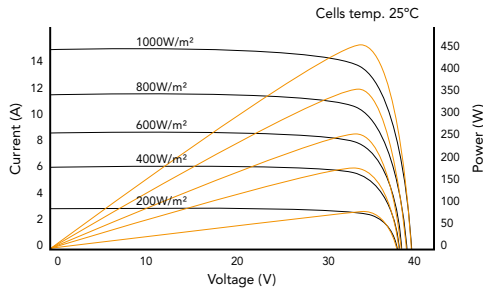
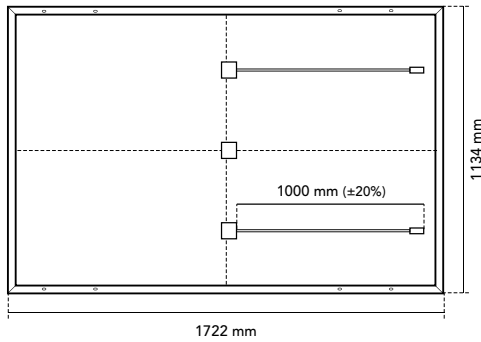
Awarded as TOP Brand PV



EcoVadis Platinum Medal for three consecutive years



Eurener MEPV — NEXA MATTE Double Glass Bifacial 450W



Mechanical specification

| | |
|--------------|---|
| Solar cells | N-Type bifacial monocrystalline silicon cells |
| Front Glass | 2 mm anti-glare surface tempered solar glass |
| Back Glass | 2 mm tempered solar glass |
| Frame | Black/silver anodized aluminium |
| Junction Box | IP68, 3 by-pass diodes |
| Connector | Original MC4-Evo 2 |
| Cable | 1000 mm (±20%) length and 4 mm ² section |
| Dimension | 1722 x 1134 x 30 mm (±1%) |
| Area | 1.95 m ² |
| Weight | 24 kg |
| Packaging | 962 pcs/truck |

Temperature coefficients

| | |
|--|-----------------|
| Temperature coefficient of Isc (α) | 0.045 %/°C |
| Temperature coefficient of Voc (β) | -0.275 %/°C |
| Temperature coefficient of Pmax (γ) | -0.29 %/°C |
| Temperature range | -40 °C ~ +85 °C |
| Nominal operating cell temperature (NOCT) | 45 ± 2 °C |

MEPV 450

| Electrical characteristics | STC | NOCT |
|-----------------------------|---------|---------|
| Nominal power. Pmax | 450 Wp | 345 Wp |
| Short-circuit current (Isc) | 14.52 A | 11.75 A |
| Open-circuit voltage (Voc) | 39.33 V | 37.61 V |
| Maximum power current (Imp) | 13.76 A | 11.14 A |
| Maximum power voltage (Vmp) | 32.71 V | 30.99 V |
| Module efficiency | 23.04 % | |

| Electrical characteristics | Bifacial gain 10% |
|-----------------------------|-------------------|
| Nominal power. Pmax | 495 Wp |
| Short-circuit current (Isc) | 15.97 A |
| Open-circuit voltage (Voc) | 39.33 V |
| Maximum power current (Imp) | 15.13 A |
| Maximum power voltage (Vmp) | 32.71 V |

* STC: 1000 W/m², module temperature 25°C, AM 1.5

* NOCT: 800 W/m², ambient temperature 20°C, AM 1.5

Operating parameters

| | |
|--------------------------------|--|
| Maximum voltage | 1500 V |
| Maximum series fuse rating. Ir | 25 A |
| Power output tolerance | 0 - +3 % |
| Voc and Isc tolerance | ± 3 % |
| Fire rating | Broof (t4) (EN 13501-5) Class A or C (UL 790) |
| Protection class | Class II (IEC 61140) |
| Mechanical loads | Front load 5400 Pa, Back load 2400 Pa |

Corporate and product certificates

| |
|--|
| ECOVADIS rating - Platinum Medal (TOP 1%) |
| Solar Industry Forced Labor Prevention Pledge by SEIA |
| ISO9001:2015 - Quality Management Systems |
| ISO14001:2015 - Environmental Management System |
| WEEE compliance in Germany |
| PV CYCLE Italy |
| IEC 61215 - Terrestrial photovoltaic (PV) modules - Design qualification and type approval |
| IEC 61730 - Photovoltaic (PV) module safety qualification |
| IEC 61701 - Photovoltaic (PV) modules - Salt mist corrosion testing |
| IEC 62716 - Photovoltaic (PV) modules - Ammonia corrosion testing |
| IEC TS 62804 - Photovoltaic (PV) modules - Test methods for the detection of potential-induced degradation |
| Hail resistance HW3/RG3 |
| Certificate of Factory Production Control (UK) - MCS |
| Fire reaction class: 1 - LAPI |
| Assessed by Sundahus |
| Swissolar Quality Certificate |



NOTE: All information contained in this data sheet is provided for general information purposes only. Product specifications may be subject to technical modifications. Reception, installation and use shall comply with the applicable Installation Manual, General Conditions of Sale and Warranty Terms and Conditions. The latest versions of all technical documentation are available at www.eurener.com.

SINCE
1997
more than
energy

eurener.com
contact@eurenerworld.com
+34 960 045 515
Calle Colón, 1-23
46004, Valencia. Spain

European experts in residential modules

Since 1997 our main purpose has been to supply quality and long-lasting photovoltaic modules that allow us and future generations, to continue generating clean energy to take care of our planet.

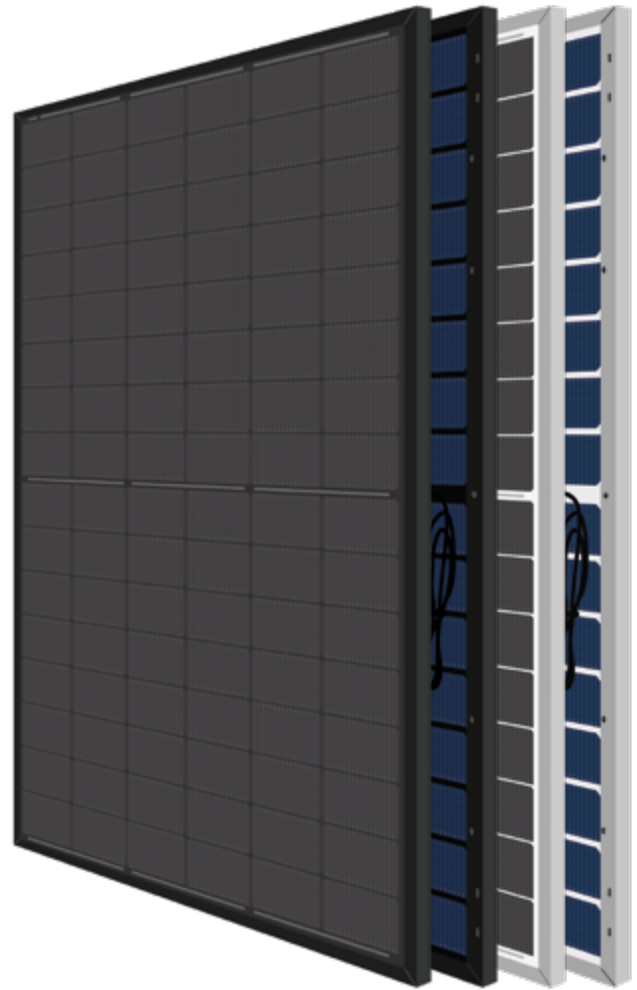


Nexa Matte TOPCon N-type

FRONT SIDE

460 - 475 W

› Double Glass Bifacial



Anti-glare glass

Suitable for airports, roads and facades



Lower luminance

8.000cd/m² (Light incident angle of 10°)



Module efficiency

Module efficiency up to 23.77%



Bifacial cell

Bifaciality factor: 80 ± 5 %



PFAS free

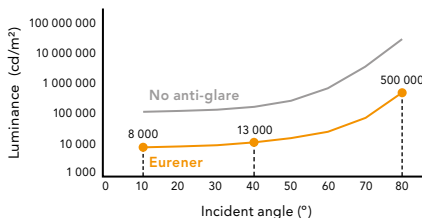
Product free from perfluoroalkyl and polyfluoroalkyl substances



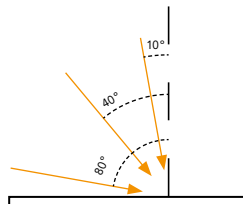
Sustainable product

High percentage of recyclable materials

LUMINANCE



INCIDENT ANGLE



25
years

Product Warranty

+5 years for Premium Partners

30
years

Performance Warranty

Linear Warranty

1% First year degradation

0.38% Annual degradation

88% Power in year 30

Light up your world with Eurener

Eurener's extensive portfolio of certifications and awards is testament to our unwavering commitment to our partners and our deep sense of social and ethical responsibility.



Spanish Quality Worldwide



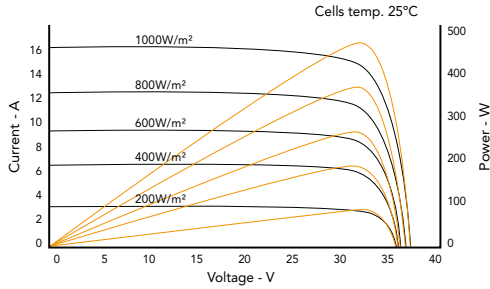
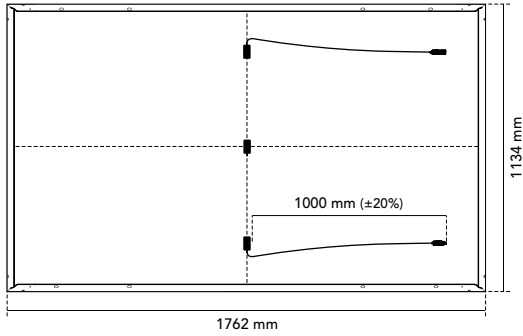
Awarded as TOP Brand PV



EcoVadis Platinum Medal for three consecutive years



Eurener MEPV — NEXA MATTE Double Glass Bifacial 460-475W



Mechanical specification

| | |
|--------------|---|
| Solar cells | N-Type bifacial monocrystalline silicon cells |
| Front Glass | 2 mm anti-glare surface tempered solar glass |
| Back Glass | 2 mm tempered solar glass |
| Frame | Black/silver anodized aluminium |
| Junction Box | IP68, 3 by-pass diodes |
| Connector | Original MC4-Evo 2 |
| Cable | 1000 mm (±20%) length and 4 mm ² section |
| Dimension | 1762 x 1134 x 30 mm (±1%) |
| Area | 2.00 m ² |
| Weight | 24 kg |
| Packaging | 936 pcs/truck |

Temperature coefficients

| | |
|--|-----------------|
| Temperature coefficient of Isc (α) | 0.045 %/°C |
| Temperature coefficient of Voc (β) | -0.25 %/°C |
| Temperature coefficient of Pmax (γ) | -0.29 %/°C |
| Temperature range | -40 °C ~ +70 °C |
| Nominal operating cell temperature (NOCT) | 45 ± 2 °C |

| Electrical characteristics | MEPV 460 | | MEPV 465 | | MEPV 470 | | MEPV 475 | |
|-----------------------------|-------------------|---------|----------|---------|----------|---------|----------|---------|
| | STC | NOCT | STC | NOCT | STC | NOCT | STC | NOCT |
| Nominal power. Pmax | 460 Wp | 346 Wp | 465 Wp | 350 Wp | 470 Wp | 353 Wp | 475 Wp | 357 Wp |
| Short-circuit current (Isc) | 15.88 A | 12.90 A | 15.93 A | 12.91 A | 16.00 A | 13.02 A | 16.10 A | 13.08 A |
| Open-circuit voltage (Voc) | 36.40 V | 33.73 V | 36.45 V | 33.86 V | 36.67 V | 34.08 V | 36.98 V | 34.09 V |
| Maximum power current (Imp) | 15.00 A | 12.12 A | 15.01 A | 12.14 A | 15.05 A | 12.18 A | 15.09 A | 12.20 A |
| Maximum power voltage (Vmp) | 30.66 V | 29.09 V | 30.98 V | 29.40 V | 31.22 V | 29.58 V | 31.49 V | 29.88 V |
| Module efficiency | 23.02 % | | 23.27 % | | 23.52 % | | 23.77 % | |
| Electrical characteristics | Bifacial gain 10% | | | | | | | |
| Nominal power. Pmax | 506 Wp | | 512 Wp | | 517 Wp | | 523 Wp | |
| Short-circuit current (Isc) | 17.46 A | | 17.52 A | | 17.60 A | | 17.71 A | |
| Open-circuit voltage (Voc) | 36.40 V | | 36.45 V | | 36.67 V | | 36.98 V | |
| Maximum power current (Imp) | 16.50 A | | 16.51 A | | 16.56 A | | 16.59 A | |
| Maximum power voltage (Vmp) | 30.66 V | | 30.98 V | | 31.22 V | | 31.49 V | |

* STC: 1000 W/m², module temperature 25°C, AM 1.5

* NOCT: 800 W/m², ambient temperature 20°C, AM 1.5

Operating parameters

| | |
|--------------------------------|--|
| Maximum voltage | 1500 V |
| Maximum series fuse rating. Ir | 30 A |
| Power output tolerance | 0 - + 3 % |
| Voc and Isc tolerance | ± 3 % |
| Fire rating | Broof (t4) (EN 13501-5) Class A or C (UL 790) |
| Protection class | Class II (IEC 61140) |
| Mechanical loads | Front load 5400 Pa, Back load 2400 Pa |

Corporate and product certificates

| |
|--|
| ECOVADIS rating - Platinum Medal (TOP 1%) |
| Solar Industry Forced Labor Prevention Pledge by SEIA |
| ISO9001:2015 - Quality Management Systems |
| ISO14001:2015 - Environmental Management System |
| WEEE compliance in Germany |
| PV CYCLE Italy |
| IEC 61215 - Terrestrial photovoltaic (PV) modules - Design qualification and type approval |
| IEC 61730 - Photovoltaic (PV) module safety qualification |
| IEC 61701 - Photovoltaic (PV) modules - Salt mist corrosion testing |
| IEC 62716 - Photovoltaic (PV) modules - Ammonia corrosion testing |
| IEC TS 62804 - Photovoltaic (PV) modules - Test methods for the detection of potential-induced degradation |
| Hail resistance HW3/RG3 |
| Certificate of Factory Production Control (UK) - MCS |
| Fire reaction class: 1 - LAPI |
| Assessed by Sundahus |
| Swissolar Quality Certificate |



NOTE: All information contained in this data sheet is provided for general information purposes only. Product specifications may be subject to technical modifications. Reception, installation and use shall comply with the applicable Installation Manual, General Conditions of Sale and Warranty Terms and Conditions. The latest versions of all technical documentation are available at www.eurener.com.

SINCE 1997
more than energy

eurener.com
contact@eurenerworld.com
+34 960 045 515
Calle Colón, 1-23
46004, Valencia, Spain

European experts in residential modules

Since 1997 our main purpose has been to supply quality and long-lasting photovoltaic modules that allow us and future generations, to continue generating clean energy to take care of our planet.

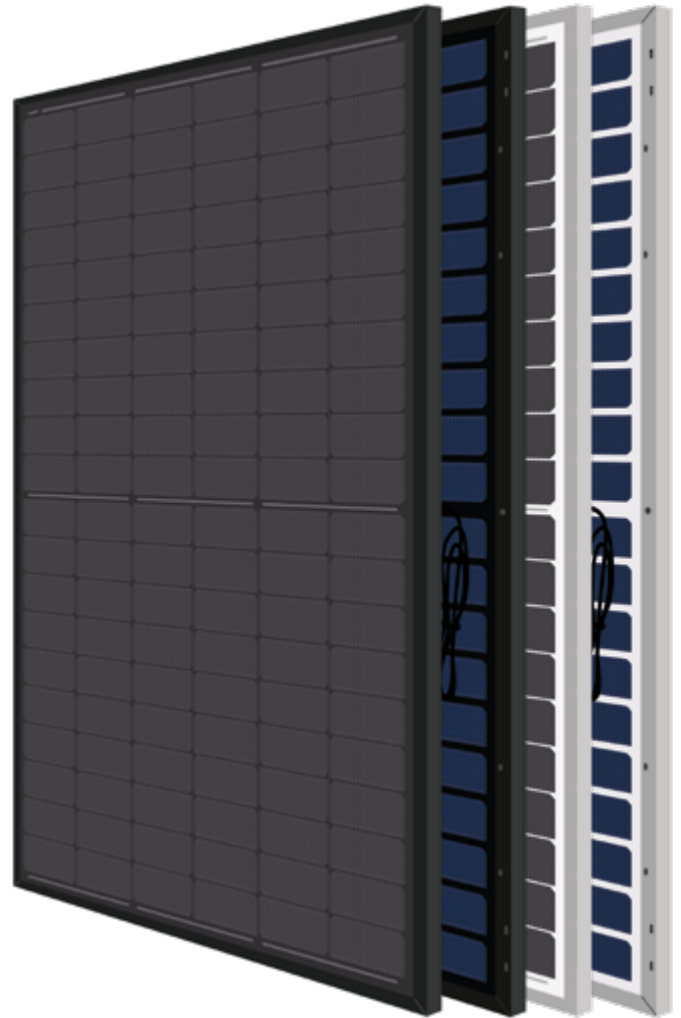


Nexa Matte TOPCon N-type

FRONT SIDE

480 - 500W

› Double Glass Bifacial



Anti-glare glass

Suitable for airports, roads and facades



Lower luminance

8.000cd/m² (Light incident angle of 10°)



Module efficiency

Module efficiency up to 23.10%



Bifacial cell

Bifaciality factor: 80 ± 5 %



PFAS free

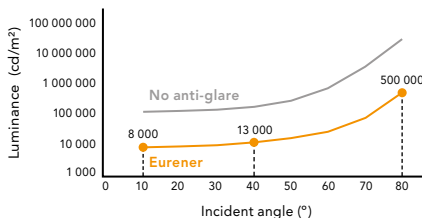
Product free from perfluoroalkyl and polyfluoroalkyl substances



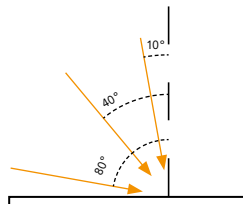
Sustainable product

High percentage of recyclable materials

LUMINANCE



INCIDENT ANGLE



25
years

Product Warranty

+5 years for Premium Partners

30
years

Performance Warranty

Linear Warranty

1% First year degradation

0.38% Annual degradation

88% Power in year 30

Light up your world with Eurener

Eurener's extensive portfolio of certifications and awards is testament to our unwavering commitment to our partners and our deep sense of social and ethical responsibility.



Spanish Quality Worldwide



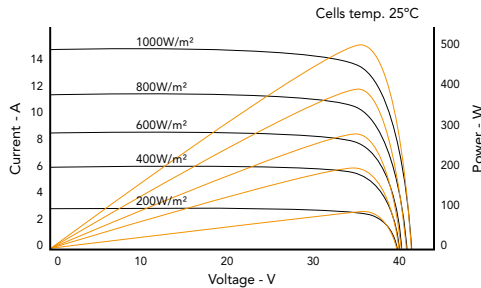
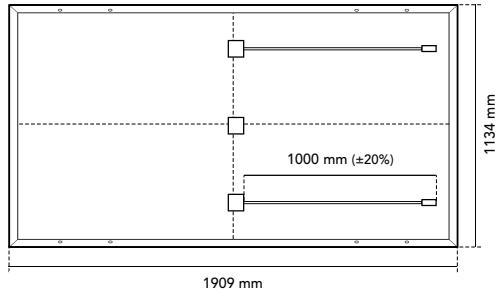
Awarded as TOP Brand PV



EcoVadis Platinum Medal for three consecutive years



Eurener MEPV — NEXA MATTE Double Glass Bifacial 480-500W



Mechanical specification

| | |
|--------------|---|
| Solar cells | N-Type bifacial monocrystalline silicon cells |
| Front Glass | 2 mm anti-glare surface tempered solar glass |
| Back Glass | 2 mm tempered solar glass |
| Frame | Black/silver anodized aluminium |
| Junction Box | IP68, 3 by-pass diodes |
| Connector | Original MC4-Evo 2 |
| Cable | 1000 mm (±20%) length and 4 mm ² section |
| Dimension | 1909 x 1134 x 30 mm (±1%) |
| Area | 2.16 m ² |
| Weight | 27 kg |
| Packaging | 864 pcs/truck |

Temperature coefficients

| | |
|--|-----------------|
| Temperature coefficient of Isc (α) | 0.045 %/°C |
| Temperature coefficient of Voc (β) | -0.275 %/°C |
| Temperature coefficient of Pmax (γ) | -0.29 %/°C |
| Temperature range | -40 °C ~ +85 °C |
| Nominal operating cell temperature (NOCT) | 45 ± 2 °C |

| Electrical characteristics | MEPV 480 | | MEPV 490 | | MEPV 500 | |
|-----------------------------|-------------------|---------|----------|---------|----------|---------|
| | STC | NOCT | STC | NOCT | STC | NOCT |
| Nominal power. Pmax | 480 Wp | 361 Wp | 490 Wp | 369 Wp | 500 Wp | 376 Wp |
| Short-circuit current (Isc) | 14.34 A | 11.55 A | 14.44 A | 11.69 A | 14.52 A | 11.81 A |
| Open-circuit voltage (Voc) | 42.63 V | 40.57 V | 42.95 V | 41.02 V | 43.25 V | 41.43 V |
| Maximum power current (Imp) | 13.60 A | 10.85 A | 13.78 A | 11.01 A | 13.94 A | 11.13 A |
| Maximum power voltage (Vmp) | 35.31 V | 33.27 V | 35.61 V | 33.48 V | 35.88 V | 33.80 V |
| Module efficiency | 22.18 % | | 22.63 % | | 23.10 % | |
| Electrical characteristics | Bifacial gain 10% | | | | | |
| Nominal power. Pmax | 528 Wp | | 539 Wp | | 550 Wp | |
| Short-circuit current (Isc) | 15.72 A | | 15.93 A | | 16.02 A | |
| Open-circuit voltage (Voc) | 42.71 V | | 43.03 V | | 43.31 V | |
| Maximum power current (Imp) | 14.91 A | | 15.11 A | | 15.30 A | |
| Maximum power voltage (Vmp) | 35.42 V | | 35.68 V | | 35.97 V | |

* STC: 1000 W/m², module temperature 25°C, AM 1.5

* NOCT: 800 W/m², ambient temperature 20°C, AM 1.5

Operating parameters

| | |
|--------------------------------|--|
| Maximum voltage | 1500 V |
| Maximum series fuse rating. Ir | 25 A |
| Power output tolerance | 0 - +3 % |
| Voc and Isc tolerance | ± 3 % |
| Fire rating | Broof (t4) (EN 13501-5) Class A or C (UL 790) |
| Protection class | Class II (IEC 61140) |
| Mechanical loads | Front load 5400 Pa, Back load 2400 Pa |

Corporate and product certificates

| |
|--|
| ECOVADIS rating - Platinum Medal (TOP 1%) |
| Solar Industry Forced Labor Prevention Pledge by SEIA |
| ISO9001:2015 - Quality Management Systems |
| ISO14001:2015 - Environmental Management System |
| WEEE compliance in Germany |
| PV CYCLE Italy |
| IEC 61215 - Terrestrial photovoltaic (PV) modules - Design qualification and type approval |
| IEC 61730 - Photovoltaic (PV) module safety qualification |
| IEC 61701 - Photovoltaic (PV) modules - Salt mist corrosion testing |
| IEC 62716 - Photovoltaic (PV) modules - Ammonia corrosion testing |
| IEC TS 62804 - Photovoltaic (PV) modules - Test methods for the detection of potential-induced degradation |
| Hail resistance HW3/RG3 |
| Certificate of Factory Production Control (UK) - MCS |
| Fire reaction class: 1 - LAPI |
| Assessed by Sundahus |
| Swissolar Quality Certificate |



NOTE: All information contained in this data sheet is provided for general information purposes only. Product specifications may be subject to technical modifications. Reception, installation and use shall comply with the applicable Installation Manual, General Conditions of Sale and Warranty Terms and Conditions. The latest versions of all technical documentation are available at www.eurener.com.

SINCE
1997
more than
energy

eurener.com
contact@eurenerworld.com
+34 960 045 515
Calle Colón, 1-23
46004, Valencia. Spain

European experts in residential modules

Since 1997 our main purpose has been to supply quality and long-lasting photovoltaic modules that allow us and future generations, to continue generating clean energy to take care of our planet.

Nexa TOPCon N-type

> **420 - 450W**



Module efficiency
Module efficiency up to 23.04 %



Different designs
Black - Silver



PID resistance
Certified according to IEC TS 62804 standards



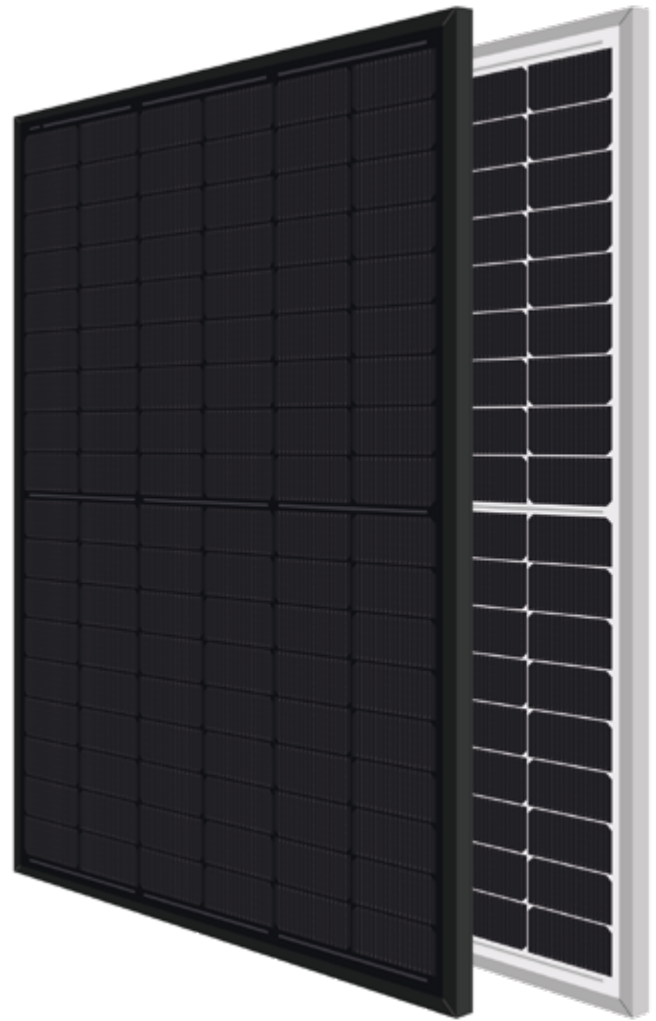
High reliability
Certified resistance against salt mist, dust, sand, and ammonia



Hail resistance
RG3/HW3 certified



Easy to handle
Comfortable installation thanks to an optimized area size



20 Years

Product Warranty
+5 years for Premium Partners

30 Years

Performance Warranty
Linear Warranty

1% First year degradation

0.38% Annual degradation

88% Power in year 30

Light up your world with Eurener

Eurener's extensive portfolio of certifications and awards is testament to our unwavering commitment to our partners and our deep sense of social and ethical responsibility.



Spanish Quality Worldwide



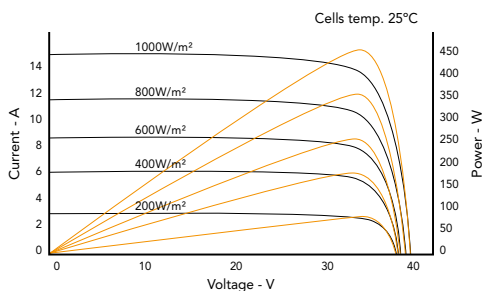
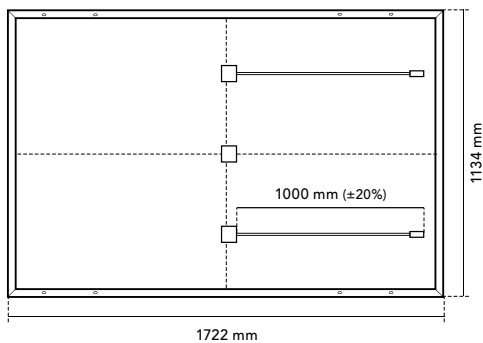
Awarded as TOP Brand PV



EcoVadis Platinum Medal for three consecutive years



Eurener MEPV — NEXA 420-450W



| Mechanical specification | |
|--------------------------|--|
| Solar cells | N-Type monocrystalline silicon cells |
| Front Glass | 3.2 mm thick tempered glass with high strength and ARC |
| Frame | Black/silver anodized aluminium |
| Junction Box | IP68, 3 by-pass diodes |
| Connector | Original MC4-Evo 2 |
| Cable | 1000 mm (±20%) length and 4 mm ² section |
| Dimension | 1722 x 1134 x 30 mm (±1%) |
| Area | 1.95 m ² |
| Weight | 22 kg |
| Packaging | 962 pcs/truck |

| Temperature coefficients | |
|---|-----------------|
| Temperature coefficient of Isc (α) | 0.045 %/°C |
| Temperature coefficient of Voc (β) | -0.275 %/°C |
| Temperature coefficient of Pmax (γ) | -0.29 %/°C |
| Temperature range | -40 °C ~ +85 °C |
| Nominal operating cell temperature (NOCT) | 45 ± 2 °C |

| | MEPV 420 | MEPV 425 | MEPV 430 | MEPV 435 | MEPV 440 | MEPV 450 |
|-----------------------------------|----------|----------|----------|----------|----------|----------|
| Electrical characteristics | | | | | | |
| STC | | | | | | |
| Nominal power. Pmax | 420 Wp | 425 Wp | 430 Wp | 435 Wp | 440 Wp | 450 Wp |
| Short-circuit current (Isc) | 14.08 A | 14.16 A | 14.26 A | 14.30 A | 14.37 A | 14.52 A |
| Open-circuit voltage (Voc) | 38.09 V | 38.28 V | 38.42 V | 38.70 V | 38.91 V | 39.33 V |
| Maximum power current (Imp) | 13.34 A | 13.42 A | 13.52 A | 13.56 A | 13.63 A | 13.76 A |
| Maximum power voltage (Vmp) | 31.49 V | 31.68 V | 31.82 V | 32.09 V | 32.30 V | 32.71 V |
| Module efficiency | 21.51 % | 21.76 % | 22.02 % | 22.28 % | 22.53 % | 23.04 % |
| Electrical characteristics | | | | | | |
| NOCT | | | | | | |
| Nominal power. Pmax | 322 Wp | 325 Wp | 329 Wp | 333 Wp | 337 Wp | 345 Wp |
| Short-circuit current (Isc) | 11.34 A | 11.41 A | 11.47 A | 11.54 A | 11.61 A | 11.75 A |
| Open-circuit voltage (Voc) | 36.52 V | 36.70 V | 36.88 V | 37.06 V | 37.24 V | 37.61 V |
| Maximum power current (Imp) | 10.75 A | 10.81 A | 10.88 A | 10.94 A | 11.01 A | 11.14 A |
| Maximum power voltage (Vmp) | 29.92 V | 30.10 V | 30.27 V | 30.45 V | 30.63 V | 30.99 V |

* STC: 1000 W/m², module temperature 25°C, AM 1.5 * NOCT: 800 W/m², ambient temperature 20°C, AM 1.5

| Operating parameters | |
|--------------------------------|--|
| Maximum voltage | 1500 V |
| Maximum series fuse rating. Ir | 25 A |
| Power output tolerance | 0 - + 3 % |
| Voc and Isc tolerance | ± 3 % |
| Fire rating | Broof (t4) (EN 13501-5) Class A or C (UL 790) |
| Protection class | Class II (IEC 61140) |
| Mechanical loads | Front load 5400 Pa, Back load 2400 Pa |

| Corporate and product certificates |
|--|
| ECOVADIS rating - Platinum Medal (TOP 1%) |
| Solar Industry Forced Labor Prevention Pledge by SEIA |
| ISO9001:2015 - Quality Management Systems |
| ISO14001:2015 - Environmental Management System |
| WEEE compliance in Germany |
| PV CYCLE Italy |
| IEC 61215 - Terrestrial photovoltaic (PV) modules - Design qualification and type approval |
| IEC 61730 - Photovoltaic (PV) module safety qualification |
| IEC 61701 - Photovoltaic (PV) modules - Salt mist corrosion testing |
| IEC 62716 - Photovoltaic (PV) modules - Ammonia corrosion testing |
| IEC TS 62804 - Photovoltaic (PV) modules - Test methods for the detection of potential-induced degradation |
| Hail resistance HW3/RG3 |
| Certificate of Factory Production Control (UK) - MCS |
| Fire reaction class: 1 - LAPI |
| Swissolar Quality Certificate |



NOTE: All information contained in this data sheet is provided for general information purposes only. Product specifications may be subject to technical modifications. Reception, installation and use shall comply with the applicable Installation Manual, General Conditions of Sale and Warranty Terms and Conditions. The latest versions of all technical documentation are available at www.eurener.com.

SINCE
1997
more than
energy

eurener.com
contact@eurenerworld.com
+34 960 045 515
Calle Colón, 1-23
46004, Valencia. Spain

European experts in residential modules

Since 1997 our main purpose has been to supply quality and long-lasting photovoltaic modules that allow us and future generations, to continue generating clean energy to take care of our planet.

Nexa TOPCon N-type

FRONT SIDE

420 - 450W

› Double Glass Bifacial

+23.0%

Module efficiency

Module efficiency up to 23.04 %



Bifacial cell

Bifaciality factor: 80 ± 5 %



High reliability

Certified resistance against PID, salt mist, dust, sand, and ammonia



Hail resistance

RG3/HW3 certified



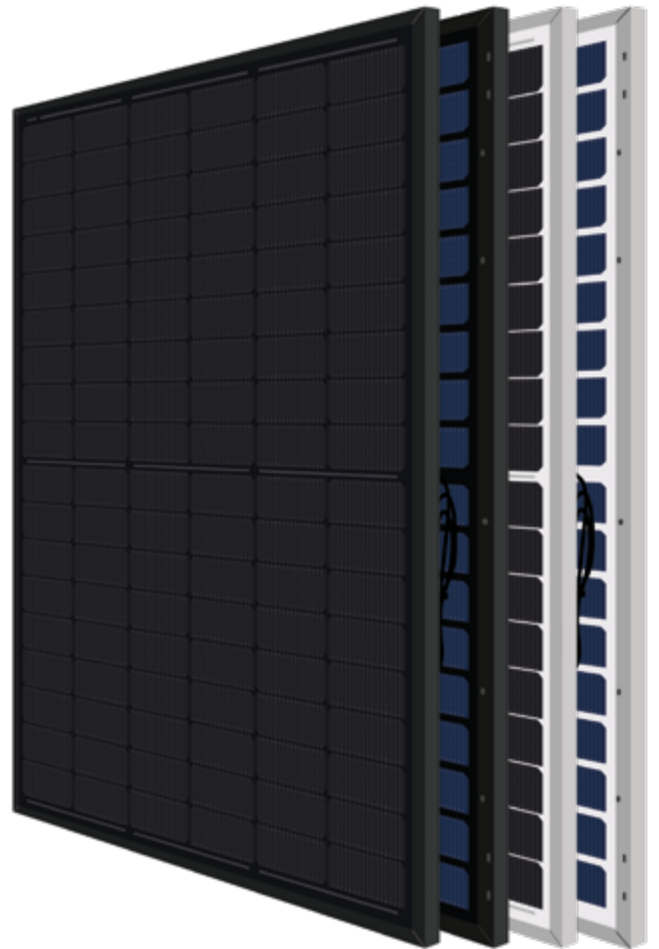
PFAS free

Product free from perfluoroalkyl and polyfluoroalkyl substances



Sustainable product

High percentage of recyclable materials



25

Years

Product Warranty

+5 years for Premium Partners

30

Years

Performance Warranty

Linear Warranty

1% First year degradation

0.38% Annual degradation

88% Power in year 30

Light up your world with Eurener

Eurener's extensive portfolio of certifications and awards is testament to our unwavering commitment to our partners and our deep sense of social and ethical responsibility.



Spanish Quality Worldwide



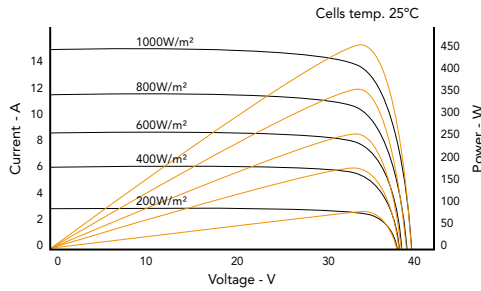
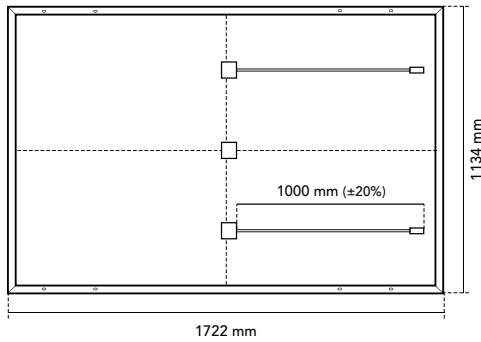
Awarded as TOP Brand PV



EcoVadis Platinum Medal
for three consecutive years



Eurener MEPV — NEXA Double Glass Bifacial 420-450W



Mechanical specification

| | |
|--------------|---|
| Solar cells | N-Type bifacial monocrystalline silicon cells |
| Front Glass | 2 mm anti-reflective surface tempered solar glass |
| Back Glass | 2 mm tempered solar glass |
| Frame | Black/silver anodized aluminium |
| Junction Box | IP68, 3 by-pass diodes |
| Connector | Original MC4-Evo 2 |
| Cable | 1000 mm (±20%) length and 4 mm ² section |
| Dimension | 1722 x 1134 x 30 mm (±1%) |
| Area | 1.95 m ² |
| Weight | 24 kg |
| Packaging | 962 pcs/truck |

Temperature coefficients

| | |
|--|-----------------|
| Temperature coefficient of Isc (α) | 0.045 %/°C |
| Temperature coefficient of Voc (β) | -0.275 %/°C |
| Temperature coefficient of Pmax (γ) | -0.29 %/°C |
| Temperature range | -40 °C ~ +85 °C |
| Nominal operating cell temperature (NOCT) | 45 ± 2 °C |

| Electrical characteristics | MEPV 420 | | MEPV 425 | | MEPV 430 | | MEPV 435 | | MEPV 440 | | MEPV 450 | |
|-----------------------------|-------------------|---------|----------|---------|----------|---------|----------|---------|----------|---------|----------|---------|
| | STC | NOCT | STC | NOCT | STC | NOCT | STC | NOCT | STC | NOCT | STC | NOCT |
| Nominal power. Pmax | 420 Wp | 322 Wp | 425 Wp | 325 Wp | 430 Wp | 329 Wp | 435 Wp | 333 Wp | 440 Wp | 337 Wp | 450 Wp | 345 Wp |
| Short-circuit current (Isc) | 14.08 A | 11.34 A | 14.16 A | 11.41 A | 14.26 A | 11.47 A | 14.30 A | 11.54 A | 14.37 A | 11.61 A | 14.52 A | 11.75 A |
| Open-circuit voltage (Voc) | 38.09 V | 36.52 V | 38.28 V | 36.70 V | 38.42 V | 36.88 V | 38.70 V | 37.06 V | 38.91 V | 37.24 V | 39.33 V | 37.61 V |
| Maximum power current (Imp) | 13.34 A | 10.75 A | 13.42 A | 10.81 A | 13.52 A | 10.88 A | 13.56 A | 10.94 A | 13.63 A | 11.01 A | 13.76 A | 11.14 A |
| Maximum power voltage (Vmp) | 31.49 V | 29.92 V | 31.68 V | 30.10 V | 31.82 V | 30.27 V | 32.09 V | 30.45 V | 32.30 V | 30.63 V | 32.71 V | 30.99 V |
| Module efficiency | 21.51 % | | 21.76 % | | 22.02 % | | 22.28 % | | 22.53 % | | 23.04 % | |
| Electrical characteristics | Bifacial gain 10% | | | | | | | | | | | |
| Nominal power. Pmax | 462 Wp | | 468 Wp | | 473 Wp | | 479 Wp | | 484 Wp | | 495 Wp | |
| Short-circuit current (Isc) | 15.43 A | | 15.52 A | | 15.63 A | | 15.67 A | | 15.81 A | | 15.97 A | |
| Open-circuit voltage (Voc) | 38.09 V | | 38.31 V | | 38.49 V | | 38.85 V | | 38.91 V | | 39.33 V | |
| Maximum power current (Imp) | 14.63 A | | 14.72 A | | 14.82 A | | 14.86 A | | 14.99 A | | 15.13 A | |
| Maximum power voltage (Vmp) | 31.58 V | | 31.76 V | | 31.91 V | | 32.21 V | | 32.30 V | | 32.71 V | |

* STC: 1000 W/m², module temperature 25°C, AM 1.5

* NOCT: 800 W/m², ambient temperature 20°C, AM 1.5

Operating parameters

| | |
|--------------------------------|--|
| Maximum voltage | 1500 V |
| Maximum series fuse rating. Ir | 25 A |
| Power output tolerance | 0 - + 3 % |
| Voc and Isc tolerance | ± 3 % |
| Fire rating | Broof (t4) (EN 13501-5) Class A or C (UL 790) |
| Protection class | Class II (IEC 61140) |
| Mechanical loads | Front load 5400 Pa, Back load 2400 Pa |

Corporate and product certificates

| |
|--|
| ECOVADIS rating - Platinum Medal (TOP 1%) |
| Solar Industry Forced Labor Prevention Pledge by SEIA |
| ISO9001:2015 - Quality Management Systems |
| ISO14001:2015 - Environmental Management System |
| WEEE compliance in Germany |
| PV CYCLE Italy |
| IEC 61215 - Terrestrial photovoltaic (PV) modules - Design qualification and type approval |
| IEC 61730 - Photovoltaic (PV) module safety qualification |
| IEC 61701 - Photovoltaic (PV) modules - Salt mist corrosion testing |
| IEC 62716 - Photovoltaic (PV) modules - Ammonia corrosion testing |
| IEC TS 62804 - Photovoltaic (PV) modules - Test methods for the detection of potential-induced degradation |
| Hail resistance HW3/RG3 |
| Certificate of Factory Production Control (UK) - MCS |
| Fire reaction class: 1 - LAPI |
| Assessed by Sundahus |
| Swissolar Quality Certificate |



NOTE: All information contained in this data sheet is provided for general information purposes only. Product specifications may be subject to technical modifications. Reception, installation and use shall comply with the applicable Installation Manual, General Conditions of Sale and Warranty Terms and Conditions. The latest versions of all technical documentation are available at www.eurener.com.

SINCE
1997
more than
energy

eurener.com
contact@eurenerworld.com
+34 960 045 515
Calle Colón, 1-23
46004, Valencia. Spain

European experts in residential modules

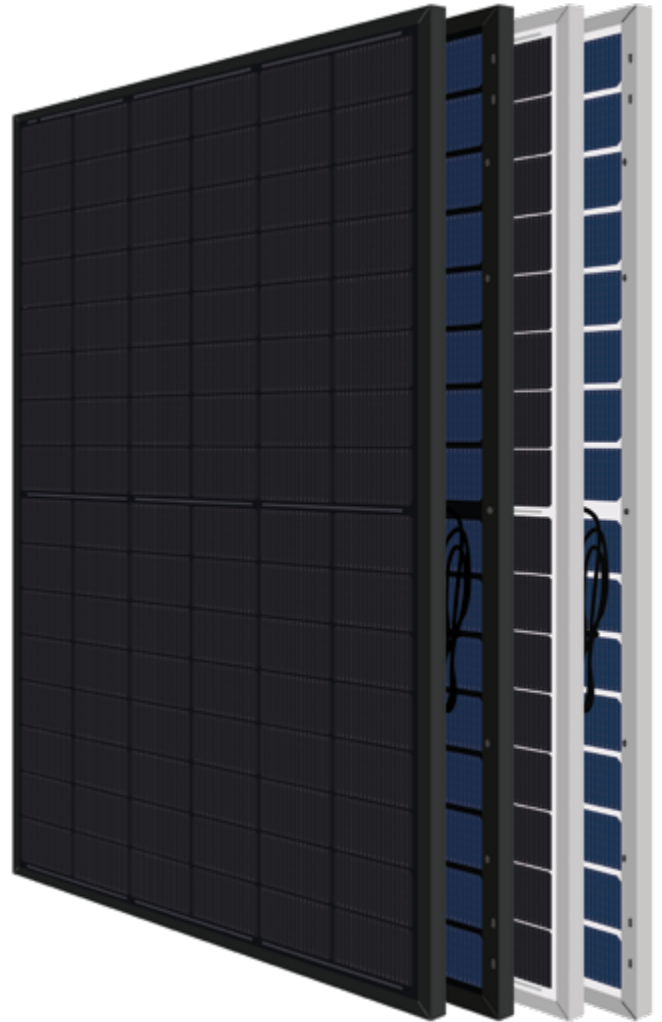
Since 1997 our main purpose has been to supply quality and long-lasting photovoltaic modules that allow us and future generations, to continue generating clean energy to take care of our planet.

Nexa TOPCon N-type

FRONT SIDE

460 - 475 W

› Double Glass Bifacial



Module efficiency

Module efficiency up to 23.77 %



Bifacial cell

Bifaciality factor: $80 \pm 5\%$



High reliability

Certified resistance against PID, salt mist, dust, sand, and ammonia



Hail resistance

RG3/HW3 certified



PFAS free

Product free from perfluoroalkyl and polyfluoroalkyl substances



Sustainable product

High percentage of recyclable materials

25

Years

Product Warranty

+5 years for Premium Partners

30

Years

Performance Warranty

Linear Warranty

1% First year degradation

0.38% Annual degradation

88% Power in year 30

Light up your world with Eurener

Eurener's extensive portfolio of certifications and awards is testament to our unwavering commitment to our partners and our deep sense of social and ethical responsibility.



Spanish Quality Worldwide



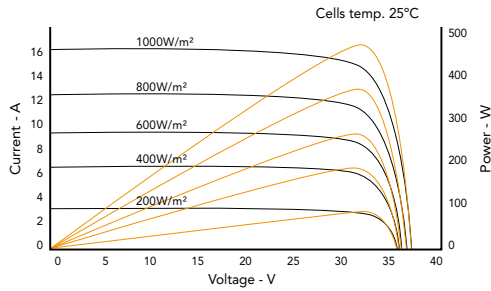
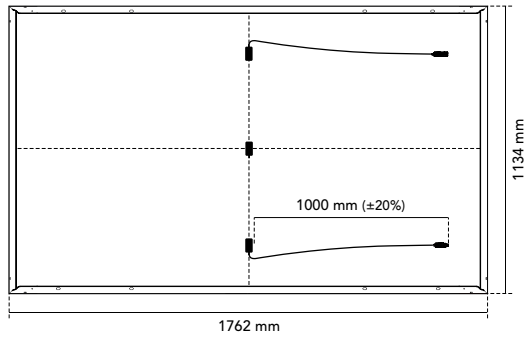
Awarded as TOP Brand PV



EcoVadis Platinum Medal
for three consecutive years



Eurener MEPV — NEXA Double Glass Bifacial 460-475W



Mechanical specification

| | |
|--------------|---|
| Solar cells | N-Type bifacial monocrystalline silicon cells |
| Front Glass | 2 mm anti-reflective surface tempered solar glass |
| Back Glass | 2 mm tempered solar glass |
| Frame | Black/silver anodized aluminium |
| Junction Box | IP68, 3 by-pass diodes |
| Connector | Original MC4-Evo 2 |
| Cable | 1000 mm (±20%) length and 4 mm ² section |
| Dimension | 1762 x 1134 x 30 mm (±1%) |
| Area | 2.00 m ² |
| Weight | 24 kg |
| Packaging | 936 pcs/truck |

Temperature coefficients

| | |
|--|-----------------|
| Temperature coefficient of Isc (α) | 0.045 %/°C |
| Temperature coefficient of Voc (β) | -0.25 %/°C |
| Temperature coefficient of Pmax (γ) | -0.29 %/°C |
| Temperature range | -40 °C ~ +70 °C |
| Nominal operating cell temperature (NOCT) | 45 ± 2 °C |

| Electrical characteristics | MEPV 460 | | MEPV 465 | | MEPV 470 | | MEPV 475 | |
|-----------------------------|-------------------|---------|----------|---------|----------|---------|----------|---------|
| | STC | NOCT | STC | NOCT | STC | NOCT | STC | NOCT |
| Nominal power. Pmax | 460 Wp | 346 Wp | 465 Wp | 350 Wp | 470 Wp | 353 Wp | 475 Wp | 357 Wp |
| Short-circuit current (Isc) | 15.88 A | 12.90 A | 15.93 A | 12.91 A | 16.00 A | 13.02 A | 16.10 A | 13.08 A |
| Open-circuit voltage (Voc) | 36.40 V | 33.73 V | 36.45 V | 33.86 V | 36.67 V | 34.08 V | 36.98 V | 34.09 V |
| Maximum power current (Imp) | 15.00 A | 12.12 A | 15.01 A | 12.14 A | 15.05 A | 12.18 A | 15.09 A | 12.20 A |
| Maximum power voltage (Vmp) | 30.66 V | 29.09 V | 30.98 V | 29.40 V | 31.22 V | 29.58 V | 31.49 V | 29.88 V |
| Module efficiency | 23.02 % | | 23.27 % | | 23.52 % | | 23.77 % | |
| Electrical characteristics | Bifacial gain 10% | | | | | | | |
| Nominal power. Pmax | 506 Wp | | 512 Wp | | 517 Wp | | 523 Wp | |
| Short-circuit current (Isc) | 17.46 A | | 17.52 A | | 17.60 A | | 17.71 A | |
| Open-circuit voltage (Voc) | 36.40 V | | 36.45 V | | 36.67 V | | 36.98 V | |
| Maximum power current (Imp) | 16.50 A | | 16.51 A | | 16.56 A | | 16.59 A | |
| Maximum power voltage (Vmp) | 30.66 V | | 30.98 V | | 31.22 V | | 31.49 V | |

* STC: 1000 W/m², module temperature 25°C, AM 1.5

* NOCT: 800 W/m², ambient temperature 20°C, AM 1.5

Operating parameters

| | |
|--------------------------------|--|
| Maximum voltage | 1500 V |
| Maximum series fuse rating. Ir | 30 A |
| Power output tolerance | 0 - + 3 % |
| Voc and Isc tolerance | ± 3 % |
| Fire rating | Broof (t4) (EN 13501-5) Class A or C (UL 790) |
| Protection class | Class II (IEC 61140) |
| Mechanical loads | Front load 5400 Pa, Back load 2400 Pa |

Corporate and product certificates

| |
|--|
| ECOVADIS rating - Platinum Medal (TOP 1%) |
| Solar Industry Forced Labor Prevention Pledge by SEIA |
| ISO9001:2015 - Quality Management Systems |
| ISO14001:2015 - Environmental Management System |
| WEEE compliance in Germany |
| PV CYCLE Italy |
| IEC 61215 - Terrestrial photovoltaic (PV) modules - Design qualification and type approval |
| IEC 61730 - Photovoltaic (PV) module safety qualification |
| IEC 61701 - Photovoltaic (PV) modules - Salt mist corrosion testing |
| IEC 62716 - Photovoltaic (PV) modules - Ammonia corrosion testing |
| IEC TS 62804 - Photovoltaic (PV) modules - Test methods for the detection of potential-induced degradation |
| Hail resistance HW3/RG3 |
| Certificate of Factory Production Control (UK) - MCS |
| Fire reaction class: 1 - LAPI |
| Assessed by Sundahus |
| Swissolar Quality Certificate |



NOTE: All information contained in this data sheet is provided for general information purposes only. Product specifications may be subject to technical modifications. Reception, installation and use shall comply with the applicable Installation Manual, General Conditions of Sale and Warranty Terms and Conditions. The latest versions of all technical documentation are available at www.eurener.com.

SINCE
1997
more than
energy

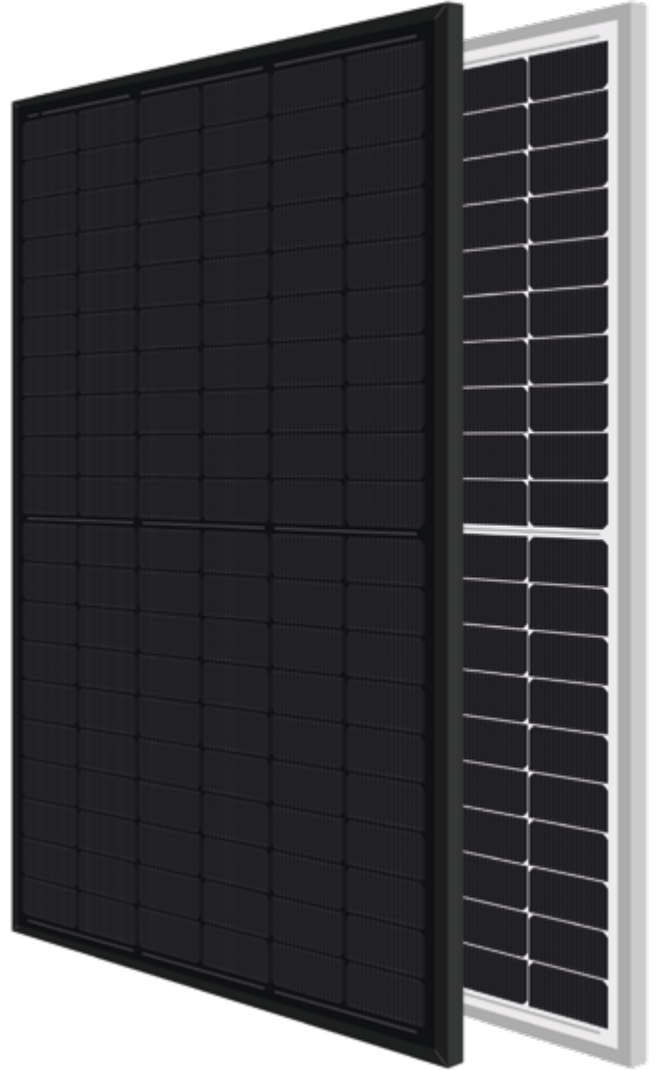
eurener.com
contact@eurenerworld.com
+34 960 045 515
Calle Colón, 1-23
46004, Valencia, Spain

European experts in residential modules

Since 1997 our main purpose has been to supply quality and long-lasting photovoltaic modules that allow us and future generations, to continue generating clean energy to take care of our planet.

Nexa TOPCon N-type

> **480 - 500W**



Module efficiency
Module efficiency up to 23.10 %



Different designs
Black - Silver



PID resistance
Certified according to IEC TS 62804 standards



High reliability
Certified resistance against salt mist, dust, sand, and ammonia



Hail resistance
RG3/HW3 certified



Better temperature coefficient
Minimized thermal losses, improved efficiency

20 Years

Product Warranty
+5 years for Premium Partners

30 Years

Performance Warranty
Linear Warranty

1% First year degradation

0.38% Annual degradation

88% Power in year 30

Light up your world with Eurener

Eurener's extensive portfolio of certifications and awards is testament to our unwavering commitment to our partners and our deep sense of social and ethical responsibility.



Spanish Quality Worldwide



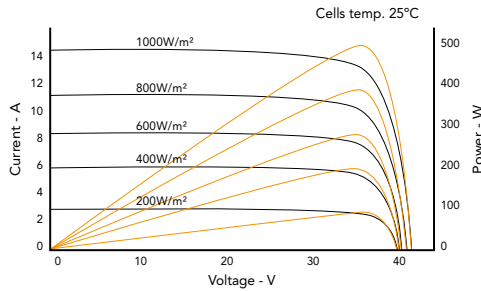
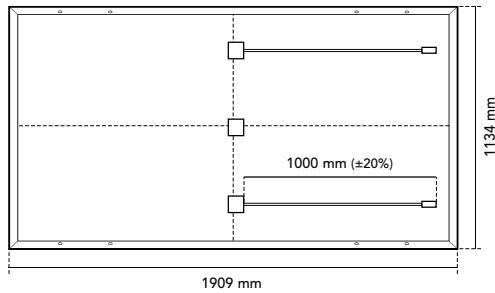
Awarded as TOP Brand PV



EcoVadis Platinum Medal for three consecutive years



Eurener MEPV — NEXA 480-500W



Mechanical specification

| | |
|--------------|--|
| Solar cells | N-Type monocrystalline silicon cells |
| Front Glass | 3.2 mm thick tempered glass with high strength and ARC |
| Frame | Black/silver anodized aluminium |
| Junction Box | IP68, 3 by-pass diodes |
| Connector | Original MC4-Evo 2 |
| Cable | 1000 mm (±20%) length and 4 mm ² section |
| Dimension | 1909 x 1134 x 30 mm (±1%) |
| Area | 2.16 m ² |
| Weight | 25.9 kg |
| Packaging | 864 pcs/truck |

Temperature coefficients

| | |
|---|-----------------|
| Temperature coefficient of Isc (α) | 0.045 %/°C |
| Temperature coefficient of Voc (β) | -0.275 %/°C |
| Temperature coefficient of Pmax (γ) | -0.29 %/°C |
| Temperature range | -40 °C ~ +85 °C |
| Nominal operating cell temperature (NOCT) | 45 ± 2 °C |

| | MEPV 480 | MEPV 490 | MEPV 500 |
|-----------------------------------|----------|----------|----------|
| Electrical characteristics | | | |
| STC | | | |
| Nominal power. Pmax | 480 Wp | 490 Wp | 500 Wp |
| Short-circuit current (Isc) | 14.34 A | 14.44 A | 14.52 A |
| Open-circuit voltage (Voc) | 42.63 V | 42.95 V | 43.25 V |
| Maximum power current (Imp) | 13.60 A | 13.78 A | 13.94 A |
| Maximum power voltage (Vmp) | 35.31 V | 35.61 V | 35.88 V |
| Module efficiency | 22.18 % | 22.63 % | 23.10 % |
| Electrical characteristics | | | |
| NOCT | | | |
| Nominal power. Pmax | 361 Wp | 369 Wp | 376 Wp |
| Short-circuit current (Isc) | 11.55 A | 11.69 A | 11.81 A |
| Open-circuit voltage (Voc) | 40.57 V | 41.02 V | 41.43 V |
| Maximum power current (Imp) | 10.85 A | 11.01 A | 11.13 A |
| Maximum power voltage (Vmp) | 33.27 V | 33.48 V | 33.80 V |

* STC: 1000 W/m², module temperature 25°C, AM 1.5 * NOCT: 800 W/m², ambient temperature 20°C, AM 1.5

Operating parameters

| | |
|--------------------------------|--|
| Maximum voltage | 1500 V |
| Maximum series fuse rating. Ir | 25 A |
| Power output tolerance | 0 - + 3 % |
| Voc and Isc tolerance | ± 3 % |
| Fire rating | Broof (t4) (EN 13501-5) Class A or C (UL 790) |
| Protection class | Class II (IEC 61140) |
| Mechanical loads | Front load 5400 Pa, Back load 2400 Pa |

Corporate and product certificates

| |
|--|
| ECOVADIS rating - Platinum Medal (TOP 1%) |
| Solar Industry Forced Labor Prevention Pledge by SEIA |
| ISO9001:2015 - Quality Management Systems |
| ISO14001:2015 - Environmental Management System |
| WEEE compliance in Germany |
| PV CYCLE Italy |
| IEC 61215 - Terrestrial photovoltaic (PV) modules - Design qualification and type approval |
| IEC 61730 - Photovoltaic (PV) module safety qualification |
| IEC 61701 - Photovoltaic (PV) modules - Salt mist corrosion testing |
| IEC 62716 - Photovoltaic (PV) modules - Ammonia corrosion testing |
| IEC TS 62804 - Photovoltaic (PV) modules - Test methods for the detection of potential-induced degradation |
| Hail resistance HW3/RG3 |
| Certificate of Factory Production Control (UK) - MCS |
| Fire reaction class: 1 - LAPI |
| Swissolar Quality Certificate |



NOTE: All information contained in this data sheet is provided for general information purposes only. Product specifications may be subject to technical modifications. Reception, installation and use shall comply with the applicable Installation Manual, General Conditions of Sale and Warranty Terms and Conditions. The latest versions of all technical documentation are available at www.eurener.com.

SINCE
1997
more than
energy

eurener.com
contact@eurenerworld.com
+34 960 045 515
Calle Colón, 1-23
46004, Valencia. Spain

European experts in residential modules

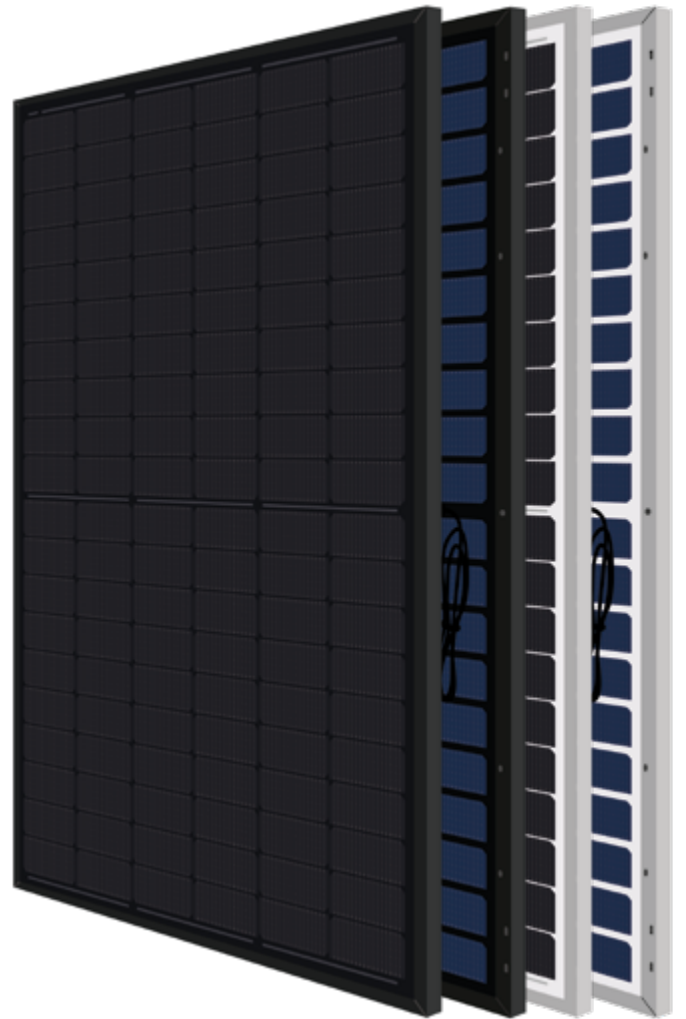
Since 1997 our main purpose has been to supply quality and long-lasting photovoltaic modules that allow us and future generations, to continue generating clean energy to take care of our planet.

Nexa TOPCon N-type

FRONT SIDE

480 - 500W

› Double Glass Bifacial



+23.1%

Module efficiency

Module efficiency up to 23.10 %



Bifacial cell

Bifaciality factor: 80 ± 5 %



High reliability

Certified resistance against PID, salt mist, dust, sand, and ammonia



Hail resistance

RG3/HW3 certified



PFAS free

Product free from perfluoroalkyl and polyfluoroalkyl substances



Sustainable product

High percentage of recyclable materials

25

Years

Product Warranty

+5 years for Premium Partners

30

Years

Performance Warranty

Linear Warranty

1% First year degradation

0.38% Annual degradation

88% Power in year 30

Light up your world with Eurener

Eurener's extensive portfolio of certifications and awards is testament to our unwavering commitment to our partners and our deep sense of social and ethical responsibility.



Spanish Quality Worldwide



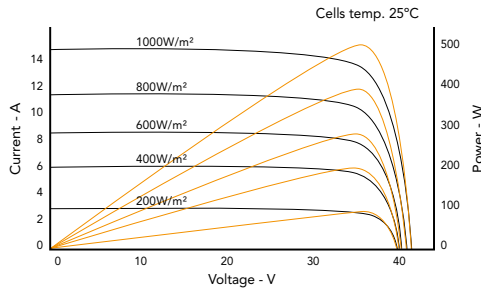
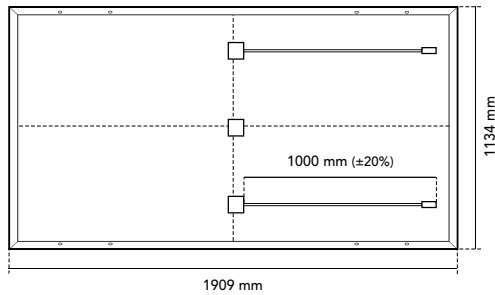
Awarded as TOP Brand PV



EcoVadis Platinum Medal
for three consecutive years



Eurener MEPV — NEXA Double Glass Bifacial 480-500W



Mechanical specification

| | |
|--------------|---|
| Solar cells | N-Type bifacial monocrystalline silicon cells |
| Front Glass | 2 mm anti-reflective surface tempered solar glass |
| Back Glass | 2 mm tempered solar glass |
| Frame | Black/silver anodized aluminium |
| Junction Box | IP68, 3 by-pass diodes |
| Connector | Original MC4-Evo 2 |
| Cable | 1000 mm (±20%) length and 4 mm ² section |
| Dimension | 1909 x 1134 x 30 mm (±1%) |
| Area | 2.16 m ² |
| Weight | 27 kg |
| Packaging | 864 pcs/truck |

Temperature coefficients

| | |
|--|-----------------|
| Temperature coefficient of Isc (α) | 0.045 %/°C |
| Temperature coefficient of Voc (β) | -0.275 %/°C |
| Temperature coefficient of Pmax (γ) | -0.29 %/°C |
| Temperature range | -40 °C ~ +85 °C |
| Nominal operating cell temperature (NOCT) | 45 ± 2 °C |

| Electrical characteristics | MEPV 480 | | MEPV 490 | | MEPV 500 | |
|-----------------------------|-------------------|---------|----------|---------|----------|---------|
| | STC | NOCT | STC | NOCT | STC | NOCT |
| Nominal power. Pmax | 480 Wp | 361 Wp | 490 Wp | 369 Wp | 500 Wp | 376 Wp |
| Short-circuit current (Isc) | 14.34 A | 11.55 A | 14.44 A | 11.69 A | 14.52 A | 11.81 A |
| Open-circuit voltage (Voc) | 42.63 V | 40.57 V | 42.95 V | 41.02 V | 43.25 V | 41.43 V |
| Maximum power current (Imp) | 13.60 A | 10.85 A | 13.78 A | 11.01 A | 13.94 A | 11.13 A |
| Maximum power voltage (Vmp) | 35.31 V | 33.27 V | 35.61 V | 33.48 V | 35.88 V | 33.80 V |
| Module efficiency | 22.18 % | | 22.63 % | | 23.10 % | |
| Electrical characteristics | Bifacial gain 10% | | | | | |
| Nominal power. Pmax | 528 Wp | | 539 Wp | | 550 Wp | |
| Short-circuit current (Isc) | 15.72 A | | 15.93 A | | 16.02 A | |
| Open-circuit voltage (Voc) | 42.71 V | | 43.03 V | | 43.31 V | |
| Maximum power current (Imp) | 14.91 A | | 15.11 A | | 15.30 A | |
| Maximum power voltage (Vmp) | 35.42 V | | 35.68 V | | 35.97 V | |

* STC: 1000 W/m², module temperature 25°C, AM 1.5

* NOCT: 800 W/m², ambient temperature 20°C, AM 1.5

Operating parameters

| | |
|--------------------------------|--|
| Maximum voltage | 1500 V |
| Maximum series fuse rating. Ir | 25 A |
| Power output tolerance | 0 - + 3 % |
| Voc and Isc tolerance | ± 3 % |
| Fire rating | Broof (t4) (EN 13501-5) Class A or C (UL 790) |
| Protection class | Class II (IEC 61140) |
| Mechanical loads | Front load 5400 Pa, Back load 2400 Pa |

Corporate and product certificates

| |
|--|
| ECOVADIS rating - Platinum Medal (TOP 1%) |
| Solar Industry Forced Labor Prevention Pledge by SEIA |
| ISO9001:2015 - Quality Management Systems |
| ISO14001:2015 - Environmental Management System |
| WEEE compliance in Germany |
| PV CYCLE Italy |
| IEC 61215 - Terrestrial photovoltaic (PV) modules - Design qualification and type approval |
| IEC 61730 - Photovoltaic (PV) module safety qualification |
| IEC 61701 - Photovoltaic (PV) modules - Salt mist corrosion testing |
| IEC 62716 - Photovoltaic (PV) modules - Ammonia corrosion testing |
| IEC TS 62804 - Photovoltaic (PV) modules - Test methods for the detection of potential-induced degradation |
| Hail resistance HW3/RG3 |
| Certificate of Factory Production Control (UK) - MCS |
| Fire reaction class: 1 - LAPI |
| Assessed by Sundahus |
| Swissolar Quality Certificate |



NOTE: All information contained in this data sheet is provided for general information purposes only. Product specifications may be subject to technical modifications. Reception, installation and use shall comply with the applicable Installation Manual, General Conditions of Sale and Warranty Terms and Conditions. The latest versions of all technical documentation are available at www.eurener.com.

SINCE
1997
more than
energy

eurener.com
contact@eurenerworld.com
+34 960 045 515
Calle Colón, 1-23
46004, Valencia. Spain

European experts in residential modules

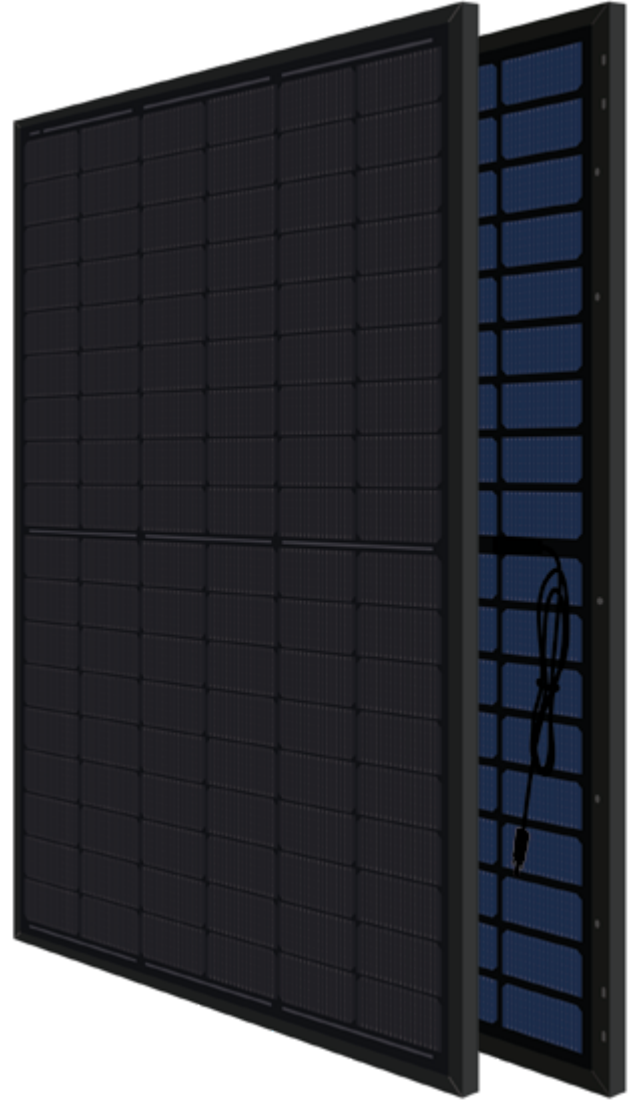
Since 1997 our main purpose has been to supply quality and long-lasting photovoltaic modules that allow us and future generations, to continue generating clean energy to take care of our planet.

Nexa TOPCon N-type

FRONT SIDE

500 - 515 W

› Double Glass Bifacial



Module efficiency

Module efficiency up to 23.16 %



Bifacial cell

Bifaciality factor: 80 ± 5 %



High reliability

Certified resistance against PID, salt mist, dust, sand, and ammonia



Hail resistance

RG3/HW3 certified



PFAS free

Product free from perfluoroalkyl and polyfluoroalkyl substances



Sustainable product

High percentage of recyclable materials

25

Years

Product Warranty

+5 years for Premium Partners

30

Years

Performance Warranty

Linear Warranty

1% First year degradation

0.38% Annual degradation

88% Power in year 30

Light up your world with Eurener

Eurener's extensive portfolio of certifications and awards is testament to our unwavering commitment to our partners and our deep sense of social and ethical responsibility.



Spanish Quality Worldwide



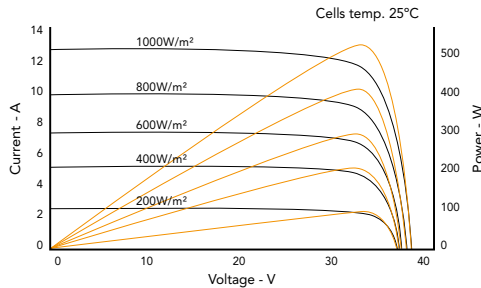
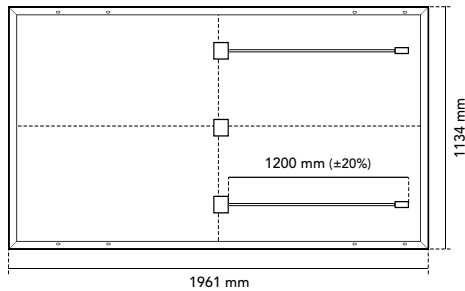
Awarded as TOP Brand PV



EcoVadis Platinum Medal
for three consecutive years



Eurener MEPV — NEXA Double Glass Bifacial 500-515W



| Mechanical specification | |
|--------------------------|---|
| Solar cells | N-Type bifacial monocrystalline silicon cells |
| Front Glass | 2 mm anti-reflective surface tempered solar glass |
| Back Glass | 2 mm tempered solar glass |
| Frame | Black anodized aluminium |
| Junction Box | IP68, 3 by-pass diodes |
| Connector | Original MC4-Evo 2 |
| Cable | 1200 mm (±20%) length and 4 mm ² section |
| Dimension | 1961 x 1134 x 30 mm (±1%) |
| Area | 2.22 m ² |
| Weight | 27.5 kg |
| Packaging | 864 pcs/truck |

| Temperature coefficients | |
|---|-----------------|
| Temperature coefficient of Isc (α) | 0.046 %/°C |
| Temperature coefficient of Voc (β) | -0.25 %/°C |
| Temperature coefficient of Pmax (γ) | -0.29 %/°C |
| Temperature range | -40 °C ~ +85 °C |
| Nominal operating cell temperature (NOCT) | 45 ± 2 °C |

| Electrical characteristics | MEPV 500 | | MEPV 505 | | MEPV 510 | | MEPV 515 | |
|-----------------------------|----------|---------|----------|---------|----------|---------|----------|---------|
| | STC | NOCT | STC | NOCT | STC | NOCT | STC | NOCT |
| Nominal power. Pmax | 500 Wp | 382 Wp | 505 Wp | 386 Wp | 510 Wp | 389 Wp | 515 Wp | 392 Wp |
| Short-circuit current (Isc) | 15.86 A | 12.79 A | 15.90 A | 12.82 A | 15.94 A | 12.85 A | 15.98 A | 12.88 A |
| Open-circuit voltage (Voc) | 40.10 V | 38.10 V | 40.32 V | 38.30 V | 40.53 V | 38.50 V | 40.72 V | 38.70 V |
| Maximum power current (Imp) | 15.02 A | 12.17 A | 15.08 A | 12.20 A | 15.14 A | 12.23 A | 15.30 A | 12.26 A |
| Maximum power voltage (Vmp) | 33.30 V | 31.41 V | 33.51 V | 31.60 V | 33.70 V | 31.81 V | 33.99 V | 31.99 V |
| Module efficiency | 22.48 % | | 22.71 % | | 22.93 % | | 23.16 % | |

| Electrical characteristics | Bifacial gain 10% | | | |
|-----------------------------|-------------------|----------|----------|----------|
| | MEPV 500 | MEPV 505 | MEPV 510 | MEPV 515 |
| Nominal power. Pmax | 550 Wp | 556 Wp | 561 Wp | 567 Wp |
| Short-circuit current (Isc) | 17.43 A | 17.49 A | 17.55 A | 17.60 A |
| Open-circuit voltage (Voc) | 40.05 V | 40.30 V | 40.55 V | 40.80 V |
| Maximum power current (Imp) | 16.51 A | 16.58 A | 16.63 A | 16.70 A |
| Maximum power voltage (Vmp) | 33.33 V | 33.55 V | 33.74 V | 33.96 V |

* STC: 1000 W/m², module temperature 25°C, AM 1.5 * NOCT: 800 W/m², ambient temperature 20°C, AM 1.5

| Operating parameters | |
|--------------------------------|--|
| Maximum voltage | 1500 V |
| Maximum series fuse rating. Ir | 25 A |
| Power output tolerance | 0 - + 3 % |
| Voc and Isc tolerance | ± 3 % |
| Fire rating | Broof (t4) (EN 13501-5) Class A or C (UL 790) |
| Protection class | Class II (IEC 61140) |
| Mechanical loads | Front load 5400 Pa, Back load 2400 Pa |

| Corporate and product certificates |
|--|
| ECOVADIS rating - Platinum Medal (TOP 1%) |
| Solar Industry Forced Labor Prevention Pledge by SEIA |
| ISO9001:2015 - Quality Management Systems |
| ISO14001:2015 - Environmental Management System |
| WEEE compliance in Germany |
| PV CYCLE Italy |
| IEC 61215 - Terrestrial photovoltaic (PV) modules - Design qualification and type approval |
| IEC 61730 - Photovoltaic (PV) module safety qualification |
| IEC 61701 - Photovoltaic (PV) modules - Salt mist corrosion testing |
| IEC 62716 - Photovoltaic (PV) modules - Ammonia corrosion testing |
| IEC TS 62804 - Photovoltaic (PV) modules - Test methods for the detection of potential-induced degradation |
| Hail resistance HW3/RG3 |
| Certificate of Factory Production Control (UK) - MCS |
| Fire reaction class: 1 - LAPI |
| Assessed by Sundahus |
| Swissolar Quality Certificate |



NOTE: All information contained in this data sheet is provided for general information purposes only. Product specifications may be subject to technical modifications. Reception, installation and use shall comply with the applicable Installation Manual, General Conditions of Sale and Warranty Terms and Conditions. The latest versions of all technical documentation are available at www.eurener.com.

SINCE 1997
more than energy

eurener.com
contact@eurenerworld.com
+34 960 045 515
Calle Colón, 1-23
46004, Valencia. Spain

European experts in residential modules

Since 1997 our main purpose has been to supply quality and long-lasting photovoltaic modules that allow us and future generations, to continue generating clean energy to take care of our planet.

Nexa Plus TOPCon N-type

> **570 - 580W**



Module efficiency
Module efficiency up to 22.45 %



Different designs
Black - Silver



PID resistance
Certified according to IEC TS 62804 standards



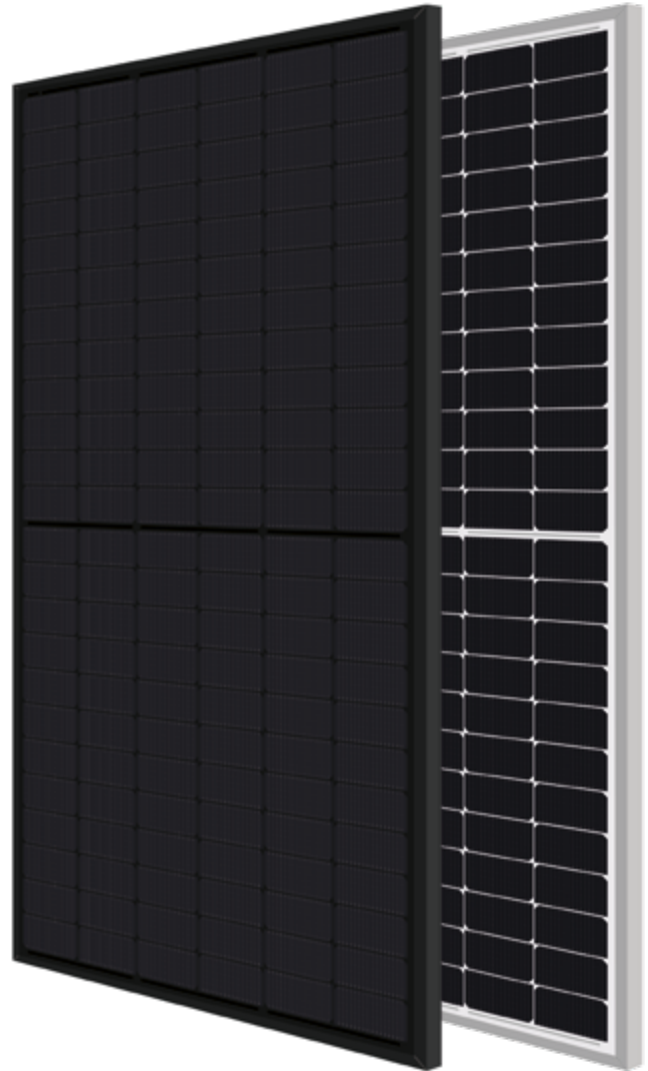
High reliability
Certified resistance against salt mist, dust, sand, and ammonia



Hail resistance
RG3/HW3 certified



Increased PV surface
Higher power output for commercial and ground projects



20 Years

Product Warranty
+5 years for Premium Partners

30 Years

Performance Warranty
Linear Warranty

1% First year degradation

0.38% Annual degradation

88% Power in year 30

Light up your world with Eurener

Eurener's extensive portfolio of certifications and awards is testament to our unwavering commitment to our partners and our deep sense of social and ethical responsibility.



Spanish Quality Worldwide



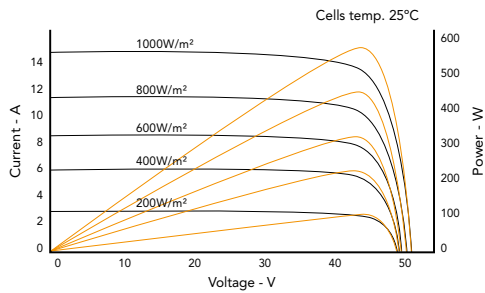
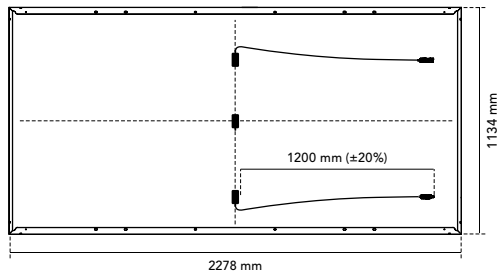
Awarded as TOP Brand PV



EcoVadis Platinum Medal for three consecutive years



Eurener MEPV — NEXA Plus 570-580W



| Mechanical specification | |
|--------------------------|--|
| Solar cells | N-Type monocrystalline silicon cells |
| Front Glass | 3.2 mm thick tempered glass with high strength and ARC |
| Frame | Black/silver anodized aluminium |
| Junction Box | IP68, 3 by-pass diodes |
| Connector | Original MC4-Evo 2 / MC4 compatible |
| Cable | 1200 mm (±20%) length and 4 mm ² section |
| Dimension | 2278 x 1134 x 30 mm (±1%) |
| Area | 2.58 m ² |
| Weight | 28 kg |
| Packaging | 720 pcs/truck |

| Temperature coefficients | |
|---|-----------------|
| Temperature coefficient of Isc (α) | 0.045 %/°C |
| Temperature coefficient of Voc (β) | -0.275 %/°C |
| Temperature coefficient of Pmax (γ) | -0.29 %/°C |
| Temperature range | -40 °C ~ +85 °C |
| Nominal operating cell temperature (NOCT) | 45 ± 2 °C |

| | MEPV 570 | MEPV 575 | MEPV 580 |
|-----------------------------------|----------|----------|----------|
| Electrical characteristics | | | |
| STC | | | |
| Nominal power. Pmax | 570 Wp | 575 Wp | 580 Wp |
| Short-circuit current (Isc) | 14.00 A | 14.09 A | 14.18 A |
| Open-circuit voltage (Voc) | 51.39 V | 51.48 V | 51.57 V |
| Maximum power current (Imp) | 13.20 A | 13.29 A | 13.39 A |
| Maximum power voltage (Vmp) | 43.17 V | 43.25 V | 43.33 V |
| Module efficiency | 22.07 % | 22.26 % | 22.45 % |
| Electrical characteristics | | | |
| NOCT | | | |
| Nominal power. Pmax | 432 Wp | 436 Wp | 439 Wp |
| Short-circuit current (Isc) | 11.42 A | 11.47 A | 11.52 A |
| Open-circuit voltage (Voc) | 48.24 V | 48.39 V | 48.53 V |
| Maximum power current (Imp) | 10.81 A | 10.86 A | 10.91 A |
| Maximum power voltage (Vmp) | 39.94 V | 40.10 V | 40.26 V |

* STC: 1000 W/m², module temperature 25°C, AM 1.5 * NOCT: 800 W/m², ambient temperature 20°C, AM 1.5

| Operating parameters | |
|--------------------------------|--|
| Maximum voltage | 1500 V |
| Maximum series fuse rating. Ir | 25 A |
| Power output tolerance | 0 - + 3 % |
| Voc and Isc tolerance | ± 3 % |
| Fire rating | Broof (t4) (EN 13501-5) Class A or C (UL 790) |
| Protection class | Class II (IEC 61140) |
| Mechanical loads | Front load 5400 Pa, Back load 2400 Pa |

| Corporate and product certificates |
|--|
| ECOVADIS rating - Platinum Medal (TOP 1%) |
| Solar Industry Forced Labor Prevention Pledge by SEIA |
| ISO9001:2015 - Quality Management Systems |
| ISO14001:2015 - Environmental Management System |
| WEEE compliance in Germany |
| PV CYCLE Italy |
| IEC 61215 - Terrestrial photovoltaic (PV) modules - Design qualification and type approval |
| IEC 61730 - Photovoltaic (PV) module safety qualification |
| IEC 61701 - Photovoltaic (PV) modules - Salt mist corrosion testing |
| IEC 62716 - Photovoltaic (PV) modules - Ammonia corrosion testing |
| IEC TS 62804 - Photovoltaic (PV) modules - Test methods for the detection of potential-induced degradation |
| Hail resistance HW3/RG3 |
| Certificate of Factory Production Control (UK) - MCS |
| Fire reaction class: 1 - LAPI |
| Swissolar Quality Certificate |



NOTE: All information contained in this data sheet is provided for general information purposes only. Product specifications may be subject to technical modifications. Reception, installation and use shall comply with the applicable Installation Manual, General Conditions of Sale and Warranty Terms and Conditions. The latest versions of all technical documentation are available at www.eurener.com.

SINCE
1997
more than
energy

eurener.com
contact@eurenerworld.com
+34 960 045 515
Calle Colón, 1-23
46004, Valencia. Spain

European experts in residential modules

Since 1997 our main purpose has been to supply quality and long-lasting photovoltaic modules that allow us and future generations, to continue generating clean energy to take care of our planet.

Nexa Plus TOPCon N-type

FRONT SIDE

580 - 600W

› Double Glass Bifacial



Module efficiency

Module efficiency up to 23.22 %



Bifacial cell

Bifaciality factor: 80 ± 5 %



High reliability

Certified resistance against PID, salt mist, dust, sand, and ammonia



Hail resistance

RG3/HW3 certified



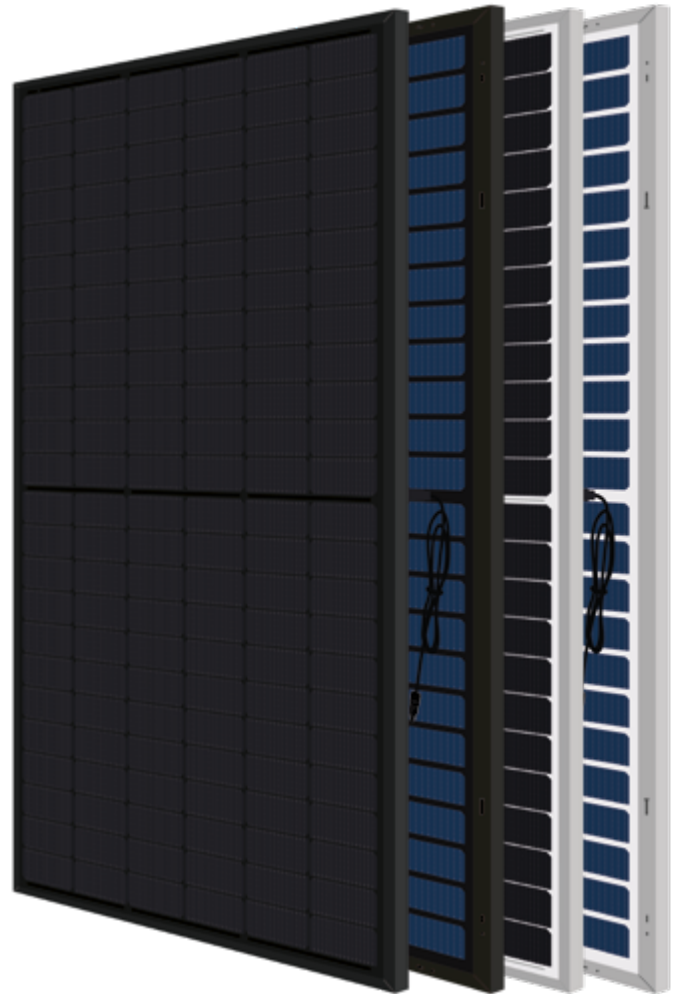
PFAS free

Product free from perfluoroalkyl and polyfluoroalkyl substances



Sustainable product

High percentage of recyclable materials



25

Years

Product Warranty

+5 years for Premium Partners

30

Years

Performance Warranty

Linear Warranty

1% First year degradation

0.38% Annual degradation

88% Power in year 30

Light up your world with Eurener

Eurener's extensive portfolio of certifications and awards is testament to our unwavering commitment to our partners and our deep sense of social and ethical responsibility.



Spanish Quality Worldwide



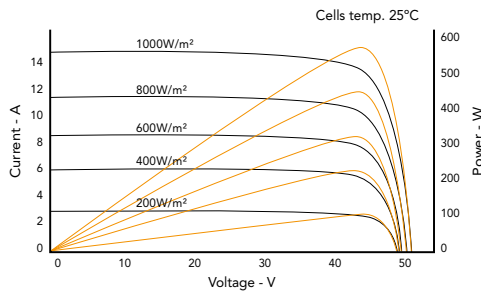
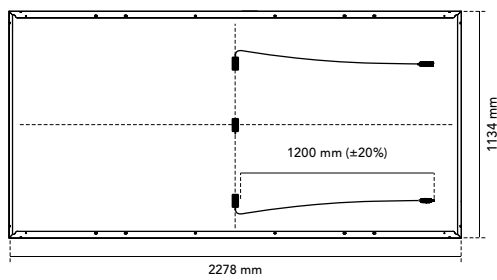
Awarded as TOP Brand PV



EcoVadis Platinum Medal
for three consecutive years



Eurener MEPV — NEXA Plus Double Glass Bifacial 580-600W



| Mechanical Specification | |
|--------------------------|---|
| Solar cells | N-Type bifacial monocrystalline silicon cells |
| Front Glass | 2mm anti-reflective surface tempered solar glass |
| Back Glass | 2mm tempered solar glass |
| Frame | Black/silver anodized aluminium |
| Junction Box | IP68, 3 by-pass diodes |
| Connector | Original MC4-Evo 2 / MC4 compatible |
| Cable | 1200 mm (±20%) length and 4 mm ² section |
| Dimension | 2278 x 1134 x 30 mm (±1%) |
| Area | 2.58 m ² |
| Weight | 31.5 kg |
| Packaging | 720 pcs/truck |

| Temperature Coefficients | |
|---|-----------------|
| Temperature coefficient of Isc (α) | 0.04 %/°C |
| Temperature coefficient of Voc (β) | -0.23 %/°C |
| Temperature coefficient of Pmax (γ) | -0.28 %/°C |
| Temperature range | -40 °C ~ +85 °C |
| Nominal operating cell temperature (NOCT) | 45 ± 2 °C |

| Electrical Characteristics | MEPV 580 | | MEPV 585 | | MEPV 590 | | MEPV 595 | | MEPV 600 | |
|-----------------------------|----------|---------|----------|---------|----------|---------|----------|---------|----------|---------|
| | STC | NOCT | STC | NOCT | STC | NOCT | STC | NOCT | STC | NOCT |
| Nominal power. Pmax | 580 Wp | 439 Wp | 585 Wp | 444 Wp | 590 Wp | 448 Wp | 595 Wp | 451 Wp | 600 Wp | 455 Wp |
| Short-circuit current (Isc) | 14.18 A | 11.52 A | 14.28 A | 11.57 A | 14.41 A | 11.65 A | 14.48 A | 11.70 A | 14.57 A | 11.72 A |
| Open-circuit voltage (Voc) | 51.57 V | 48.53 V | 51.66 V | 48.68 V | 51.72 V | 49.02 V | 51.73 V | 49.11 V | 51.93 V | 49.12 V |
| Maximum power current (Imp) | 13.39 A | 10.91 A | 13.49 A | 10.96 A | 13.58 A | 11.03 A | 13.68 A | 11.05 A | 13.76 A | 11.11 A |
| Maximum power voltage (Vmp) | 43.33 V | 40.26 V | 43.41 V | 40.43 V | 43.48 V | 40.58 V | 43.52 V | 40.80 V | 43.65 V | 40.93 V |
| Module efficiency | 22.45% | | 22.65% | | 22.85% | | 23.03% | | 23.22 % | |

| Electrical Characteristics | | MEPV 580 | MEPV 585 | MEPV 590 | MEPV 595 | MEPV 600 |
|-----------------------------|--|----------|----------|----------|----------|----------|
| Nominal power. Pmax | | 638 Wp | 644 Wp | 649 Wp | 655 Wp | 660 Wp |
| Short-circuit current (Isc) | | 15.60 A | 15.70 A | 15.85 A | 15.93 A | 16.03 A |
| Open-circuit voltage (Voc) | | 51.57 V | 51.66 V | 51.72 V | 51.73 V | 51.93 V |
| Maximum power current (Imp) | | 14.72 A | 14.82 A | 14.93 A | 15.04 A | 15.12 A |
| Maximum power voltage (Vmp) | | 43.33 V | 43.41 V | 43.48 V | 43.52 V | 43.65 V |

* STC: 1000 W/m², module temperature 25°C, AM 1.5

* NOCT: 800 W/m², ambient temperature 20°C, AM 1.5

| Operating parameters | |
|--------------------------------|--|
| Maximum voltage | 1500 V |
| Maximum series fuse rating. Ir | 25 A |
| Power output tolerance | 0 - + 3 % |
| Voc and Isc tolerance | ± 3 % |
| Fire rating | Broof (t4) (EN 13501-5) Class A or C (UL 790) |
| Protection class | Class II (IEC 61140) |
| Mechanical loads | Front load 5400 Pa, Back load 2400 Pa |

| Corporate and product certificates | |
|--|--|
| ECOVADIS rating - Platinum Medal (TOP 1%) | |
| Solar Industry Forced Labor Prevention Pledge by SEIA | |
| ISO9001:2015 - Quality Management Systems | |
| ISO14001:2015 - Environmental Management System | |
| WEEE compliance in Germany | |
| PV CYCLE Italy | |
| IEC 61215 - Terrestrial photovoltaic (PV) modules - Design qualification and type approval | |
| IEC 61730 - Photovoltaic (PV) module safety qualification | |
| IEC 61701 - Photovoltaic (PV) modules - Salt mist corrosion testing | |
| IEC 62716 - Photovoltaic (PV) modules - Ammonia corrosion testing | |
| IEC TS 62804 - Photovoltaic (PV) modules - Test methods for the detection of potential-induced degradation | |
| Hail resistance HW3/RG3 | |
| Certificate of Factory Production Control (UK) - MCS | |
| Fire reaction class: 1 - LAPI | |
| Assessed by Sundahus | |
| Swissolar Quality Certificate | |



NOTE: All information contained in this data sheet is provided for general information purposes only. Product specifications may be subject to technical modifications. Reception, installation and use shall comply with the applicable Installation Manual, General Conditions of Sale and Warranty Terms and Conditions. The latest versions of all technical documentation are available at www.eurener.com.

SINCE
1997
more than
energy

eurener.com
contact@eurenerworld.com
+34 960 045 515
Calle Colón, 1-23
46004, Valencia. Spain

European experts in residential modules

Since 1997 our main purpose has been to supply quality and long-lasting photovoltaic modules that allow us and future generations, to continue generating clean energy to take care of our planet.

Nexa Plus TOPCon N-type

FRONT SIDE

695 - 715W

› Double Glass Bifacial



+23.0%

Module efficiency

Module efficiency up to 23.02 %



Bifacial cell

Bifaciality factor: 75 ± 5 %



Hail resistance

RG3/HW3 certified



PFAS free

Product free from perfluoroalkyl and polyfluoroalkyl substances



Sustainable product

High percentage of recyclable materials



Optimized BOS

Lower structure, materials and wiring costs

25

Years

Product Warranty

+5 years for Premium Partners

30

Years

Performance Warranty

Linear Warranty

1% First year degradation

0.38% Annual degradation

88% Power in year 30

Light up your world with Eurener

Eurener's extensive portfolio of certifications and awards is testament to our unwavering commitment to our partners and our deep sense of social and ethical responsibility.



Spanish Quality Worldwide



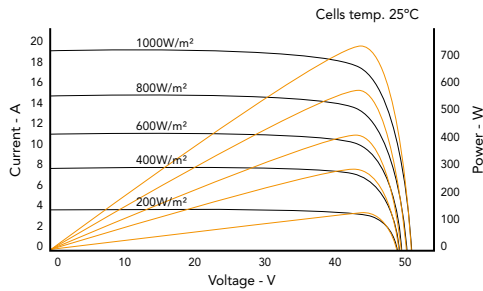
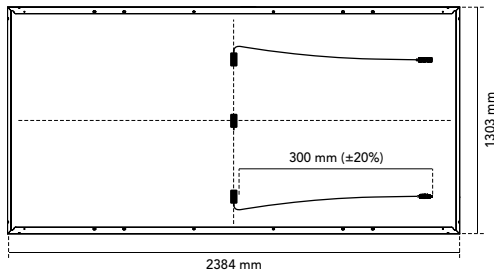
Awarded as TOP Brand PV



EcoVadis Platinum Medal
for three consecutive years



Eurener MEPV — NEXA Plus Double Glass Bifacial 695-715W



| Mechanical specification | |
|--------------------------|--|
| Solar cells | N-Type bifacial monocrystalline silicon cells |
| Front Glass | 2 mm anti-reflective surface tempered solar glass |
| Back Glass | 2 mm tempered solar glass |
| Frame | Silver anodized aluminium |
| Junction Box | IP68, 3 by-pass diodes |
| Connector | Original MC4-Evo 2 / MC4 compatible |
| Cable | 300 mm (±20%) length and 4 mm ² section |
| Dimension | 2384 x 1303 x 33 mm (±1%) |
| Area | 3.11 m ² |
| Weight | 38.3 kg |
| Packaging | 558 pcs/truck |

| Temperature coefficients | |
|---|-----------------|
| Temperature coefficient of Isc (α) | 0.04 %/°C |
| Temperature coefficient of Voc (β) | -0.24 %/°C |
| Temperature coefficient of Pmax (γ) | -0.29 %/°C |
| Temperature range | -40 °C ~ +85 °C |
| Nominal operating cell temperature (NOCT) | 43 ± 2 °C |

| Electrical characteristics | MEPV 695 | | MEPV 700 | | MEPV 705 | | MEPV 710 | | MEPV 715 | |
|-----------------------------|----------|---------|----------|---------|----------|---------|----------|---------|----------|---------|
| | STC | NOCT | STC | NOCT | STC | NOCT | STC | NOCT | STC | NOCT |
| Nominal power. Pmax | 695 Wp | 531 Wp | 700 Wp | 534 Wp | 705 Wp | 540 Wp | 710 Wp | 543 Wp | 715 Wp | 547 Wp |
| Short-circuit current (Isc) | 18.27 A | 14.74 A | 18.35 A | 14.75 A | 18.40 A | 14.81 A | 18.44 A | 14.86 A | 18.46 A | 14.87 A |
| Open-circuit voltage (Voc) | 48.33 V | 45.89 V | 48.54 V | 46.35 V | 48.78 V | 46.37 V | 49.04 V | 46.39 V | 49.21 V | 46.73 V |
| Maximum power current (Imp) | 17.21 A | 14.03 A | 17.24 A | 14.05 A | 17.35 A | 14.09 A | 17.40 A | 14.11 A | 17.42 A | 14.13 A |
| Maximum power voltage (Vmp) | 40.38 V | 37.82 V | 40.61 V | 38.02 V | 40.66 V | 38.34 V | 40.81 V | 38.49 V | 41.04 V | 38.73 V |
| Module efficiency | 22.37 % | | 22.54 % | | 22.71 % | | 22.86 % | | 23.02 % | |

| Electrical characteristics | Bifacial gain 10% | | | | |
|-----------------------------|-------------------|----------|----------|----------|----------|
| | MEPV 695 | MEPV 700 | MEPV 705 | MEPV 710 | MEPV 715 |
| Nominal power. Pmax | 765 Wp | 770 Wp | 776 Wp | 781 Wp | 787 Wp |
| Short-circuit current (Isc) | 20.10 A | 20.19 A | 20.24 A | 20.29 A | 20.30 A |
| Open-circuit voltage (Voc) | 48.33 V | 48.54 V | 48.78 V | 49.04 V | 49.21 V |
| Maximum power current (Imp) | 18.93 A | 18.96 A | 19.07 A | 19.14 A | 19.16 A |
| Maximum power voltage (Vmp) | 40.38 V | 40.61 V | 40.66 V | 40.81 V | 41.04 V |

* STC: 1000 W/m², module temperature 25°C, AM 1.5 * NOCT: 800 W/m², ambient temperature 20°C, AM 1.5

| Operating parameters | |
|--------------------------------|--|
| Maximum voltage | 1500 V |
| Maximum series fuse rating. Ir | 35 A |
| Power output tolerance | 0 - + 3 % |
| Voc and Isc tolerance | ± 3 % |
| Fire rating | Broof (t4) (EN 13501-5) Class A or C (UL 790) |
| Protection class | Class II (IEC 61140) |
| Mechanical loads | Front load 5400 Pa, Back load 2400 Pa |

| Corporate and product certificates |
|--|
| ECOVADIS rating - Platinum Medal (TOP 1%) |
| Solar Industry Forced Labor Prevention Pledge by SEIA |
| ISO9001:2015 - Quality Management Systems |
| ISO14001:2015 - Environmental Management System |
| WEEE compliance in Germany |
| PV CYCLE Italy |
| IEC 61215 - Terrestrial photovoltaic (PV) modules - Design qualification and type approval |
| IEC 61730 - Photovoltaic (PV) module safety qualification |
| IEC 61701 - Photovoltaic (PV) modules - Salt mist corrosion testing |
| IEC 62716 - Photovoltaic (PV) modules - Ammonia corrosion testing |
| IEC TS 62804 - Photovoltaic (PV) modules - Test methods for the detection of potential-induced degradation |
| Hail resistance HW3/RG3 |
| Certificate of Factory Production Control (UK) - MCS |
| Fire reaction class: 1 - LAPI |
| Assessed by Sundahus |
| Swissolar Quality Certificate |



NOTE: All information contained in this data sheet is provided for general information purposes only. Product specifications may be subject to technical modifications. Reception, installation and use shall comply with the applicable Installation Manual, General Conditions of Sale and Warranty Terms and Conditions. The latest versions of all technical documentation are available at www.eurener.com.

SINCE
1997
more than
energy

eurener.com
contact@eurenerworld.com
+34 960 045 515
Calle Colón, 1-23
46004, Valencia. Spain

European experts in residential modules

Since 1997 our main purpose has been to supply quality and long-lasting photovoltaic modules that allow us and future generations, to continue generating clean energy to take care of our planet.





MEPV ULTRA Series

↘ *Pure power. Pure elegance*

Solar elegance redefined. Bring sophistication to your home with our exclusive full-black solar panels designed for architectural integration. Groundbreaking technology, superior warranties, and higher efficiency for your property.

ULTRA — BACK CONTACT N-TYPE TECHNOLOGY

› from 400 to 500W



Back contact technology

Removing busbars from the front side reduces the effect of shadows on the solar cell.



Modules available in double glass with bifacial cells version

More sustainable and reliable modules.

Extra energy yield possibility, thanks to the rear side production of the bifacial cells depending on albedo.



Lower temperature impact

Modules with better temperature coefficient that reduces thermal losses and improves efficiency in hot climates.



Premium integration

Total black appearance for a perfect commercial and residential rooftop integration.



Optimized area (<math><2\text{m}^2</math>)

Perfect size for comfortable installations and easy handling.

Maintaining suitable power outputs.



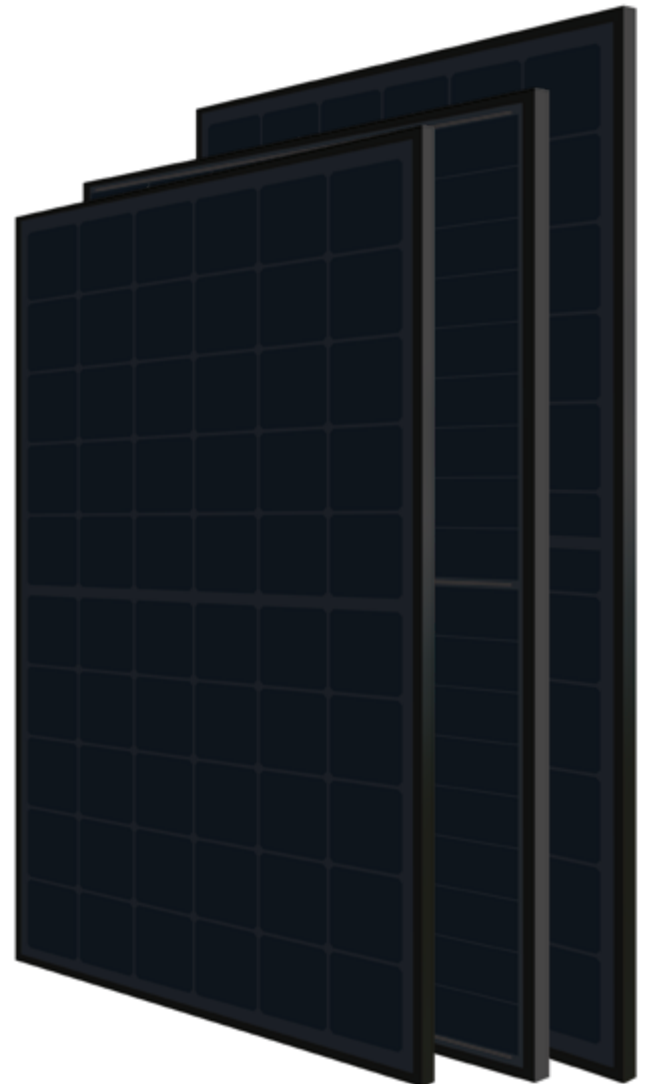
Original MC4 - Evo2

Modules manufactured with original MC4-EVO 2 connectors by default, adding extra security and reliability to the PV system.

25 Product Warranty
FOR ULTRA DG BIF

20 Product Warranty
FOR ULTRA

30 Performance Warranty



Ultra Back Contact N-type

> 400- 410W



Module efficiency
Module efficiency up to 22.85 %



Elegant design
Cells free from frontal metallization



PID resistance
Certified according to IEC TS 62804 standards



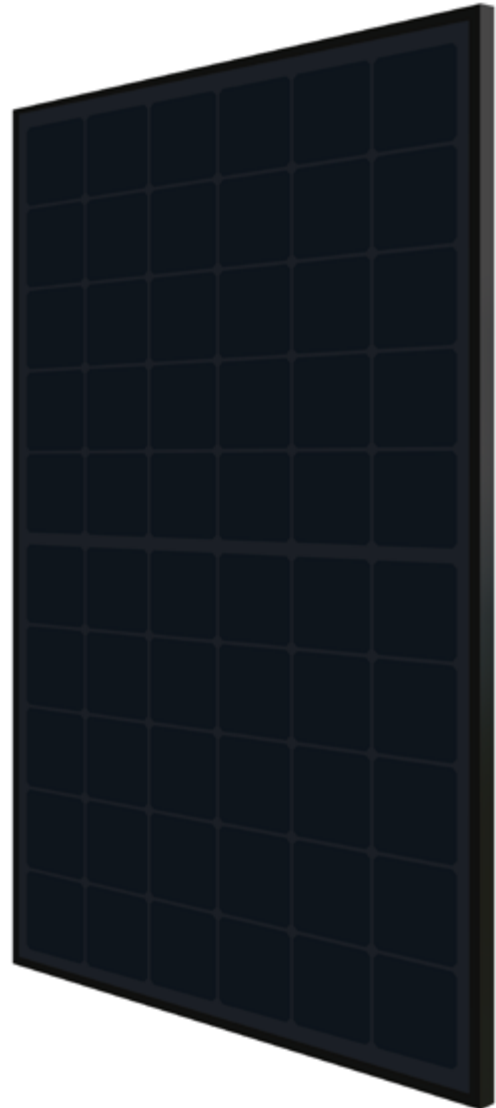
Increased resistance
Certified resistance against salt mist and ammonia



Hail resistance
RG3/HW3 certified



Easy to handle
Comfortable installation thanks to an optimized area size



20 Years

Product Warranty
+5 years for Premium Partners

30 Years

Performance Warranty
Linear Warranty

1% First year degradation

0.25% Annual degradation

91.75% Power in year 30

Light up your world with Eurener

Eurener's extensive portfolio of certifications and awards is testament to our unwavering commitment to our partners and our deep sense of social and ethical responsibility.



Spanish Quality Worldwide



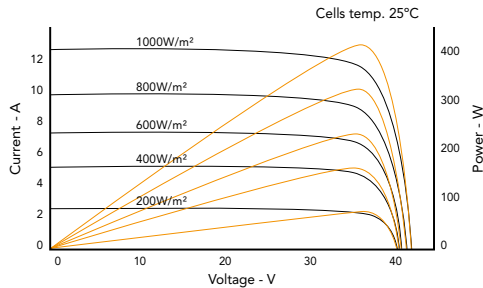
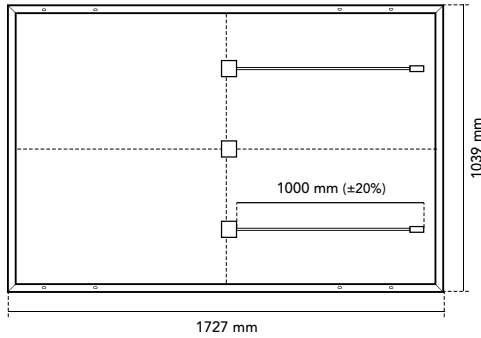
Awarded as TOP Brand PV



EcoVadis Platinum Medal for three consecutive years



Eurener MEPV — ULTRA 400-410W



| Mechanical Specification | |
|--------------------------|--|
| Solar cells | N-Type monocrystalline silicon cells |
| Front Glass | 3.2 mm thick tempered glass with high strength and ARC |
| Frame | Black anodized aluminium |
| Junction Box | IP68, 3 by-pass diodes |
| Connector | Original MC4-Evo 2 |
| Cable | 1000 mm (±20%) length and 4 mm ² section |
| Dimension | 1727 x 1039 x 30 mm (±1%) |
| Area | 1.79 m ² |
| Weight | 20 kg |
| Packaging | 949 pcs/truck |

| Temperature Coefficients | |
|---|-----------------|
| Temperature coefficient of Isc (α) | 0.045 %/°C |
| Temperature coefficient of Voc (β) | -0.247 %/°C |
| Temperature coefficient of Pmax (γ) | -0.29 %/°C |
| Temperature range | -40 °C ~ +85 °C |
| Nominal operating cell temperature (NOCT) | 43 ± 2 °C |

| | MEPV 400 | MEPV 405 | MEPV 410 |
|-----------------------------------|----------|----------|----------|
| Electrical Characteristics | | | |
| STC | | | |
| Nominal power. Pmax | 400 Wp | 405 Wp | 410 Wp |
| Short-circuit current (Isc) | 12.05 A | 12.15 A | 12.26 A |
| Open-circuit voltage (Voc) | 42.10 V | 42.30 V | 42.49 V |
| Maximum power current (Imp) | 11.09 A | 11.16 A | 11.24 A |
| Maximum power voltage (Vmp) | 36.10 V | 36.30 V | 36.49 V |
| Module efficiency | 22.31 % | 22.57 % | 22.85 % |
| Electrical Characteristics | | | |
| NOCT | | | |
| Nominal power. Pmax | 307 Wp | 311 Wp | 315 Wp |
| Short-circuit current (Isc) | 9.72 A | 9.80 A | 9.88 A |
| Open-circuit voltage (Voc) | 40.23 V | 40.43 V | 40.63 V |
| Maximum power current (Imp) | 8.96 A | 9.02 A | 9.08 A |
| Maximum power voltage (Vmp) | 34.23 V | 34.43 V | 34.63 V |

* STC: 1000 W/m², module temperature 25°C, AM 1.5 * NOCT: 800 W/m², ambient temperature 20°C, AM 1.5

| Operating parameters | |
|--------------------------------|--|
| Maximum voltage | 1500 V |
| Maximum series fuse rating. Ir | 20 A |
| Power output tolerance | 0 - + 3 % |
| Voc and Isc tolerance | ± 3 % |
| Fire rating | Broof (t4) (EN 13501-5) Class A or C (UL 790) |
| Protection class | Class II (IEC 61140) |
| Mechanical loads | Front load 5400 Pa, Back load 2400 Pa |

| Corporate and product certificates |
|--|
| ECOVADIS rating - Platinum Medal (TOP 1%) |
| Solar Industry Forced Labor Prevention Pledge by SEIA |
| ISO9001:2015 - Quality Management Systems |
| ISO14001:2015 - Environmental Management System |
| WEEE compliance in Germany |
| PV CYCLE Italy |
| IEC 61215 - Terrestrial photovoltaic (PV) modules - Design qualification and type approval |
| IEC 61730 - Photovoltaic (PV) module safety qualification |
| IEC 61701 - Photovoltaic (PV) modules - Salt mist corrosion testing |
| IEC 62716 - Photovoltaic (PV) modules - Ammonia corrosion testing |
| IEC TS 62804 - Photovoltaic (PV) modules - Test methods for the detection of potential-induced degradation |
| Hail resistance HW3/RG3 |
| Certificate of Factory Production Control (UK) - MCS |
| Fire reaction class: 1 - LAPI |
| Assessed by Sundahus |
| Swissolar Quality Certificate |



NOTE: All information contained in this data sheet is provided for general information purposes only. Product specifications may be subject to technical modifications. Reception, installation and use shall comply with the applicable Installation Manual, General Conditions of Sale and Warranty Terms and Conditions. The latest versions of all technical documentation are available at www.eurener.com.

SINCE
1997
more than
energy

eurener.com
contact@eurenerworld.com
+34 960 045 515
Calle Colón, 1-23
46004, Valencia, Spain

European Experts in Residential modules

Since 1997 our main purpose has been to supply quality and long-lasting photovoltaic modules that allow us and future generations, to continue generating clean energy to take care of our planet.

Ultra Back Contact N-type

> 440W

+22.3%

Module efficiency

Module efficiency up to 22.37 %



Elegant design

Cells free from frontal metallization



PID resistance

Certified according to IEC TS 62804 standards



Increased resistance

Certified resistance against salt mist and ammonia



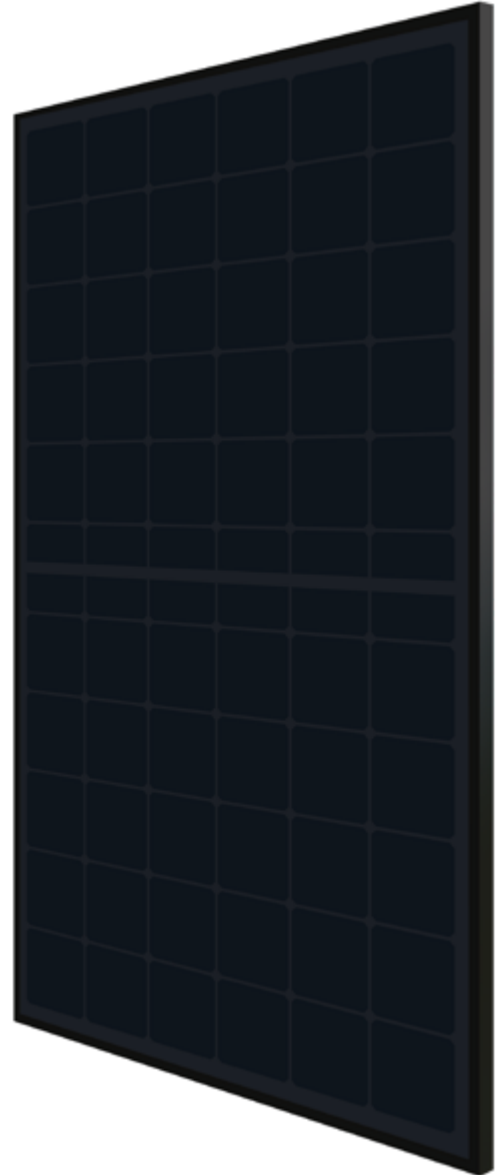
Hail resistance

RG3/HW3 certified



Easy to handle

Comfortable installation thanks to an optimized area size



20 Years

Product Warranty

+5 years for Premium Partners

30 Years

Performance Warranty

Linear Warranty

1% First year degradation

0.25% Annual degradation

91.75% Power in year 30

Light up your world with Eurener

Eurener's extensive portfolio of certifications and awards is testament to our unwavering commitment to our partners and our deep sense of social and ethical responsibility.



Spanish Quality Worldwide



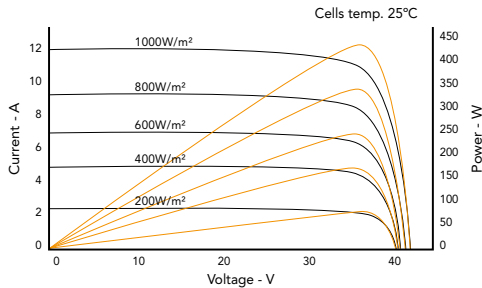
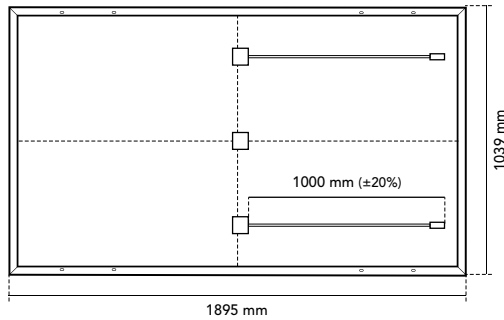
Awarded as TOP Brand PV



EcoVadis Platinum Medal for three consecutive years



Eurener MEPV — ULTRA 440W



Mechanical specification

| | |
|--------------|--|
| Solar cells | N-Type monocrystalline silicon cells |
| Front Glass | 3.2 mm thick tempered glass with high strength and ARC |
| Frame | Black anodized aluminium |
| Junction Box | IP68, 3 by-pass diodes |
| Connector | Original MC4-Evo 2 |
| Cable | 1000 mm (±20%) length and 4 mm ² section |
| Dimension | 1895 x 1039 x 30 mm (±1%) |
| Area | 1.97 m ² |
| Weight | 21 kg |
| Packaging | 900 pcs/truck |

Temperature coefficients

| | |
|--|-----------------|
| Temperature coefficient of Isc (α) | 0.045 %/°C |
| Temperature coefficient of Voc (β) | -0.247 %/°C |
| Temperature coefficient of Pmax (γ) | -0.29 %/°C |
| Temperature range | -40 °C ~ +85 °C |
| Nominal operating cell temperature (NOCT) | 43 ± 2 °C |

MEPV 440

| Electrical characteristics | STC |
|-----------------------------|---------|
| Nominal power. Pmax | 440 Wp |
| Short-circuit current (Isc) | 12.06 A |
| Open-circuit voltage (Voc) | 46.30 V |
| Maximum power current (Imp) | 11.12 A |
| Maximum power voltage (Vmp) | 39.60 V |
| Module efficiency | 22.37 % |
| Electrical characteristics | NOCT |
| Nominal power. Pmax | 337 Wp |
| Short-circuit current (Isc) | 9.73 A |
| Open-circuit voltage (Voc) | 44.24 V |
| Maximum power current (Imp) | 8.98 A |
| Maximum power voltage (Vmp) | 37.54 V |

* STC: 1000 W/m², module temperature 25°C, AM 1.5

* NOCT: 800 W/m², ambient temperature 20°C, AM 1.5

Operating parameters

| | |
|--------------------------------|--|
| Maximum voltage | 1500 V |
| Maximum series fuse rating. Ir | 20 A |
| Power output tolerance | 0 - +3 % |
| Voc and Isc tolerance | ± 3 % |
| Fire rating | Broof (t4) (EN 13501-5) Class A or C (UL 790) |
| Protection class | Class II (IEC 61140) |
| Mechanical loads | Front load 5400 Pa, Back load 2400 Pa |

Corporate and product certificates

| |
|--|
| ECOVADIS rating - Platinum Medal (TOP 1%) |
| Solar Industry Forced Labor Prevention Pledge by SEIA |
| ISO9001:2015 - Quality Management Systems |
| ISO14001:2015 - Environmental Management System |
| WEEE compliance in Germany |
| PV CYCLE Italy |
| IEC 61215 - Terrestrial photovoltaic (PV) modules - Design qualification and type approval |
| IEC 61730 - Photovoltaic (PV) module safety qualification |
| IEC 61701 - Photovoltaic (PV) modules - Salt mist corrosion testing |
| IEC 62716 - Photovoltaic (PV) modules - Ammonia corrosion testing |
| IEC TS 62804 - Photovoltaic (PV) modules - Test methods for the detection of potential-induced degradation |
| Hail resistance HW3/RG3 |
| Certificate of Factory Production Control (UK) - MCS |
| Fire reaction class: 1 - LAPI |
| Assessed by Sundahus |
| Swissolar Quality Certificate |



NOTE: All information contained in this data sheet is provided for general information purposes only. Product specifications may be subject to technical modifications. Reception, installation and use shall comply with the applicable Installation Manual, General Conditions of Sale and Warranty Terms and Conditions. The latest versions of all technical documentation are available at www.eurener.com.

SINCE
1997
more than
energy

eurener.com
contact@eurenerworld.com
+34 960 045 515
Calle Colón, 1-23
46004, Valencia, Spain

European experts in residential modules

Since 1997 our main purpose has been to supply quality and long-lasting photovoltaic modules that allow us and future generations, to continue generating clean energy to take care of our planet.

Ultra Back Contact N-type

FRONT SIDE

440 - 450W

› Double Glass Bifacial



Module efficiency

Module efficiency up to 22.90 %



Elegant design

Cells free from frontal metallization



Bifacial cell

Bifaciality factor: $70 \pm 5 \%$



Sustainable product

High percentage of recyclable materials



High reliability

Certified resistance against PID, salt mist and ammonia



Easy to handle

Comfortable installation thanks to an optimized area size

25

Years

Product Warranty

+5 years for Premium Partners

30

Years

Performance Warranty

Linear Warranty

1% First year degradation

0.25% Annual degradation

91.75% Power in year 30

Light up your world with Eurener

Eurener's extensive portfolio of certifications and awards is testament to our unwavering commitment to our partners and our deep sense of social and ethical responsibility.



Spanish Quality Worldwide



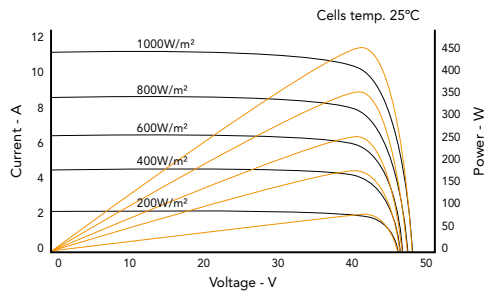
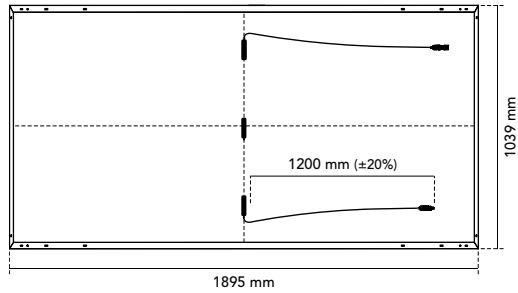
Awarded as TOP Brand PV



EcoVadis Platinum Medal
for three consecutive years



Eurener MEPV — ULTRA Double Glass Bifacial 440-450W



| Mechanical specification | |
|--------------------------|---|
| Solar cells | N-Type bifacial monocrystalline silicon cells |
| Front Glass | 2 mm anti-reflective surface tempered solar glass |
| Back Glass | 2 mm tempered solar glass |
| Frame | Black anodized aluminium |
| Junction Box | IP68, 3 by-pass diodes |
| Connector | Original MC4-Evo 2 |
| Cable | 1200 mm (±20%) length and 4 mm ² section |
| Dimension | 1895 x 1039 x 30 mm (±1%) |
| Area | 1.97 m ² |
| Weight | 24 kg |
| Packaging | 840 pcs/truck |

| Temperature coefficients | |
|---|-----------------|
| Temperature coefficient of Isc (α) | 0.046 %/°C |
| Temperature coefficient of Voc (β) | -0.246 %/°C |
| Temperature coefficient of Pmax (γ) | -0.29 %/°C |
| Temperature range | -40 °C ~ +85 °C |
| Nominal operating cell temperature (NOCT) | 45 ± 2 °C |

| Electrical characteristics | MEPV 440 | MEPV 450 |
|-----------------------------|----------|----------|
| | STC | |
| Nominal power. Pmax | 440 Wp | 450 Wp |
| Short-circuit current (Isc) | 11.50 A | 11.66 A |
| Open-circuit voltage (Voc) | 47.74 V | 48.03 V |
| Maximum power current (Imp) | 10.78 A | 10.92 A |
| Maximum power voltage (Vmp) | 40.92 V | 41.21 V |
| Module efficiency | 22.4 % | 22.9 % |
| Electrical characteristics | NOCT | |
| | MEPV 440 | MEPV 450 |
| Nominal power. Pmax | 332 Wp | 340 Wp |
| Short-circuit current (Isc) | 9.22 A | 9.35 A |
| Open-circuit voltage (Voc) | 45.69 V | 45.96 V |
| Maximum power current (Imp) | 8.76 A | 8.89 A |
| Maximum power voltage (Vmp) | 37.95 V | 38.24 V |

* STC: 1000 W/m², module temperature 25°C, AM 1.5

* NOCT: 800 W/m², ambient temperature 20°C, AM 1.5

| Operating parameters | |
|--------------------------------|--|
| Maximum voltage | 1500 V |
| Maximum series fuse rating. Ir | 20 A |
| Power output tolerance | 0 - +3 % |
| Voc and Isc tolerance | ± 3 % |
| Fire rating | Broof (t4) (EN 13501-5) Class A or C (UL 790) |
| Protection class | Class II (IEC 61140) |
| Mechanical loads | Front load 5400 Pa, Back load 2400 Pa |

| Corporate and product certificates |
|--|
| ECOVADIS rating - Platinum Medal (TOP 1%) |
| Solar Industry Forced Labor Prevention Pledge by SEIA |
| ISO9001:2015 - Quality Management Systems |
| ISO14001:2015 - Environmental Management System |
| WEEE compliance in Germany |
| PV CYCLE Italy |
| IEC 61215 - Terrestrial photovoltaic (PV) modules - Design qualification and type approval |
| IEC 61730 - Photovoltaic (PV) module safety qualification |
| IEC 61701 - Photovoltaic (PV) modules - Salt mist corrosion testing |
| IEC 62716 - Photovoltaic (PV) modules - Ammonia corrosion testing |
| IEC TS 62804 - Photovoltaic (PV) modules - Test methods for the detection of potential-induced degradation |
| Hail resistance HW3/RG3 |
| Certificate of Factory Production Control (UK) - MCS |
| Fire reaction class: 1 - LAPI |
| Assessed by Sundahus |
| Swissolar Quality Certificate |



NOTE: All information contained in this data sheet is provided for general information purposes only. Product specifications may be subject to technical modifications. Reception, installation and use shall comply with the applicable Installation Manual, General Conditions of Sale and Warranty Terms and Conditions. The latest versions of all technical documentation are available at www.eurener.com.

SINCE
1997
more than
energy

eurener.com
contact@eurenerworld.com
+34 960 045 515
Calle Colón, 1-23
46004, Valencia. Spain

European experts in residential modules

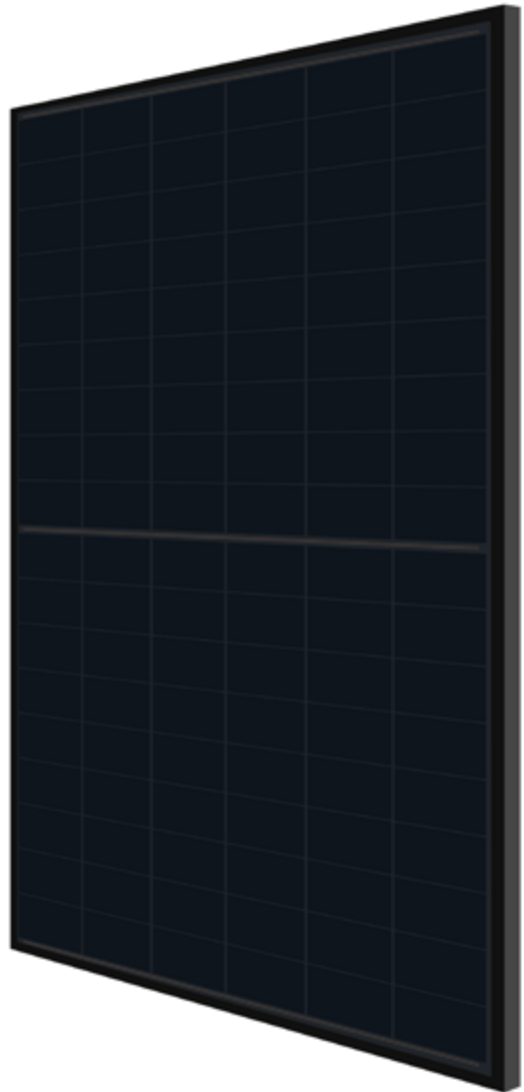
Since 1997 our main purpose has been to supply quality and long-lasting photovoltaic modules that allow us and future generations, to continue generating clean energy to take care of our planet.

Ultra Back Contact N-type

FRONT SIDE

470 - 485 W

› Double Glass Bifacial



Module efficiency

Module efficiency up to 23.80 %



Elegant design

Cells free from frontal metallization



Sustainable product

High percentage of recyclable materials



PFAS free

Product free from perfluoroalkyl and polyfluoroalkyl substances



Better temperature coefficient

Minimized thermal losses, improved efficiency



Easy to handle

Comfortable installation thanks to an optimized area size

25

Years

Product Warranty

+5 years for Premium Partners

30

Years

Performance Warranty

Linear Warranty

1% First year degradation

0.35% Annual degradation

88.85% Power in year 30

Light up your world with Eurener

Eurener's extensive portfolio of certifications and awards is testament to our unwavering commitment to our partners and our deep sense of social and ethical responsibility.



Spanish Quality Worldwide



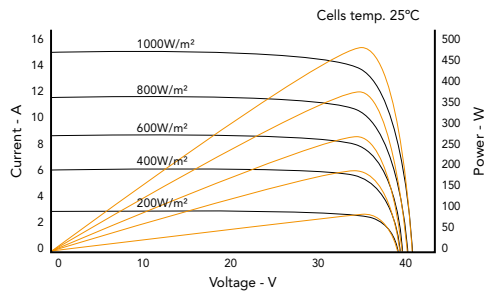
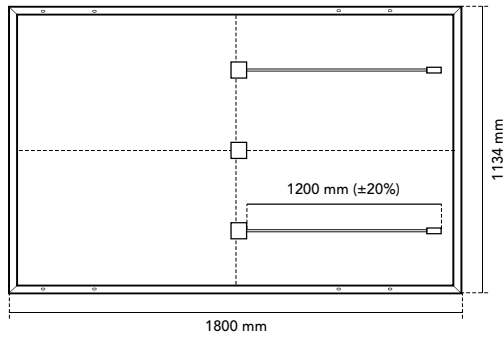
Awarded as TOP Brand PV



EcoVadis Platinum Medal for three consecutive years



Eurener MEPV — ULTRA Double Glass Bifacial 470-485W



| Mechanical specification | |
|--------------------------|---|
| Solar cells | N-Type bifacial monocrystalline silicon cells |
| Front Glass | 2 mm anti-reflective surface tempered solar glass |
| Back Glass | 1.6 mm tempered solar glass |
| Frame | Black anodized aluminium |
| Junction Box | IP68, 3 by-pass diodes |
| Connector | Original MC4-Evo 2 |
| Cable | 1200 mm (±20%) length and 4 mm ² section |
| Dimension | 1800 x 1134 x 30 mm (±1%) |
| Area | 2.0 m ² |
| Weight | 23.5 kg |
| Packaging | 864 pcs/truck |

| Temperature coefficients | |
|---|-----------------|
| Temperature coefficient of Isc (α) | 0.05 %/°C |
| Temperature coefficient of Voc (β) | -0.2 %/°C |
| Temperature coefficient of Pmax (γ) | -0.26 %/°C |
| Temperature range | -40 °C ~ +85 °C |
| Nominal operating cell temperature (NOCT) | 45 ± 2 °C |

| Electrical characteristics | MEPV 470 | | MEPV 475 | | MEPV 480 | | MEPV 485 | |
|-----------------------------|-------------------|---------|----------|---------|----------|---------|----------|---------|
| | STC | NOCT | STC | NOCT | STC | NOCT | STC | NOCT |
| Nominal power. Pmax | 470 Wp | 357 Wp | 475 Wp | 361 Wp | 480 Wp | 365 Wp | 485 Wp | 369 Wp |
| Short-circuit current (Isc) | 14.77 A | 11.82 A | 14.91 A | 11.90 A | 14.94 A | 12.04 A | 15.07 A | 12.13 A |
| Open-circuit voltage (Voc) | 40.26 V | 38.20 V | 40.44 V | 38.33 V | 40.62 V | 38.49 V | 40.75 V | 38.58 V |
| Maximum power current (Imp) | 14.15 A | 11.30 A | 14.21 A | 11.39 A | 14.34 A | 11.50 A | 14.46 A | 11.55 A |
| Maximum power voltage (Vmp) | 33.24 V | 31.61 V | 33.46 V | 31.72 V | 33.52 V | 31.77 V | 33.61 V | 31.91 V |
| Module efficiency | 23.0 % | | 23.3 % | | 23.5 % | | 23.8 % | |
| Electrical characteristics | Bifacial gain 10% | | | | | | | |
| Nominal power. Pmax | 517 Wp | | 523 Wp | | 528 Wp | | 534 Wp | |
| Short-circuit current (Isc) | 16.25 A | | 16.41 A | | 16.44 A | | 16.58 A | |
| Open-circuit voltage (Voc) | 40.26 V | | 40.44 V | | 40.62 V | | 40.75 V | |
| Maximum power current (Imp) | 15.55 A | | 15.62 A | | 15.74 A | | 15.90 A | |
| Maximum power voltage (Vmp) | 33.24 V | | 33.46 V | | 33.55 V | | 33.56 V | |

* STC: 1000 W/m², module temperature 25°C, AM 1.5 * NOCT: 800 W/m², ambient temperature 20°C, AM 1.5

| Operating parameters | |
|--------------------------------|--|
| Maximum voltage | 1500 V |
| Maximum series fuse rating. Ir | 30 A |
| Power output tolerance | 0 - + 3 % |
| Voc and Isc tolerance | ± 3 % |
| Fire rating | Broof (t4) (EN 13501-5) Class A or C (UL 790) |
| Protection class | Class II (IEC 61140) |
| Mechanical loads | Front load 5400 Pa, Back load 2400 Pa |

| Corporate and product certificates |
|--|
| ECOVADIS rating - Platinum Medal (TOP 1%) |
| Solar Industry Forced Labor Prevention Pledge by SEIA |
| ISO9001:2015 - Quality Management Systems |
| ISO14001:2015 - Environmental Management System |
| WEEE compliance in Germany |
| PV CYCLE Italy |
| IEC 61215 - Terrestrial photovoltaic (PV) modules - Design qualification and type approval |
| IEC 61730 - Photovoltaic (PV) module safety qualification |
| IEC 61701 - Photovoltaic (PV) modules - Salt mist corrosion testing |
| IEC 62716 - Photovoltaic (PV) modules - Ammonia corrosion testing |
| IEC TS 62804 - Photovoltaic (PV) modules - Test methods for the detection of potential-induced degradation |
| Hail resistance HW3/RG3 |
| Certificate of Factory Production Control (UK) - MCS |
| Fire reaction class: 1 - LAPI |
| Assessed by Sundahus |
| Swissolar Quality Certificate |



NOTE: All information contained in this data sheet is provided for general information purposes only. Product specifications may be subject to technical modifications. Reception, installation and use shall comply with the applicable Installation Manual, General Conditions of Sale and Warranty Terms and Conditions. The latest versions of all technical documentation are available at www.eurener.com.

SINCE 1997
more than energy

eurener.com
contact@eurenerworld.com
+34 960 045 515
Calle Colón, 1-23
46004, Valencia. Spain

European experts in residential modules

Since 1997 our main purpose has been to supply quality and long-lasting photovoltaic modules that allow us and future generations, to continue generating clean energy to take care of our planet.

NEW **+**
Ultra Black
500W

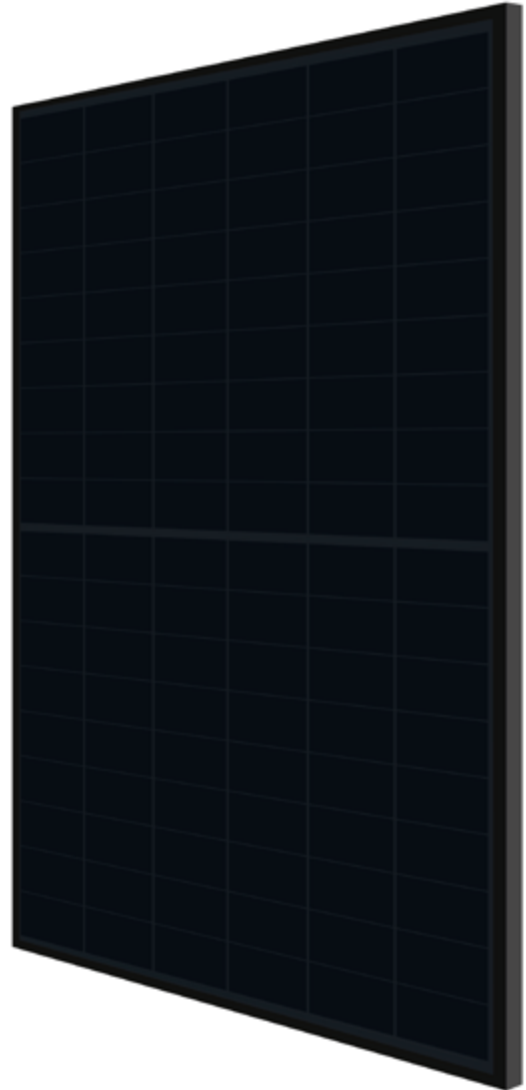
More efficiency.
More power.
Less space.

+

Ultra Back Contact N-type

FRONT SIDE
500W

› Double Glass Bifacial



Module efficiency

Module efficiency up to 24.50 %



Elegant design

Cells free from frontal metallization



Sustainable product

High percentage of recyclable materials



PFAS free

Product free from perfluoroalkyl and polyfluoroalkyl substances



Better temperature coefficient

Minimized thermal losses, improved efficiency



Easy to handle

Comfortable installation thanks to an optimized area size

25 Years

Product Warranty

+5 years for Premium Partners

30 Years

Performance Warranty

Linear Warranty

1% First year degradation

0.35% Annual degradation

88.85% Power in year 30

Light up your world with Eurener

Eurener's extensive portfolio of certifications and awards is testament to our unwavering commitment to our partners and our deep sense of social and ethical responsibility.



Spanish Quality Worldwide



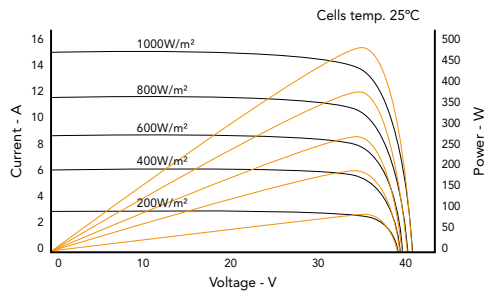
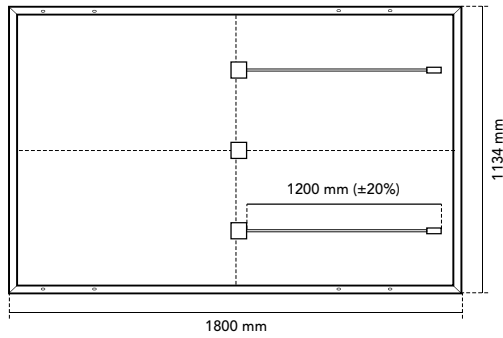
Awarded as TOP Brand PV



EcoVadis Platinum Medal
for three consecutive years



Eurener MEPV — ULTRA Double Glass Bifacial 500W



Mechanical specification

| | |
|--------------|---|
| Solar cells | N-Type bifacial monocrystalline silicon cells |
| Front Glass | 2 mm anti-reflective surface tempered solar glass |
| Back Glass | 1.6 mm tempered solar glass |
| Frame | Black anodized aluminium |
| Junction Box | IP68, 3 by-pass diodes |
| Connector | Original MC4-Evo 2 |
| Cable | 1200 mm (±20%) length and 4 mm ² section |
| Dimension | 1800 x 1134 x 30 mm (±1%) |
| Area | 2.0 m ² |
| Weight | 23.5 kg |
| Packaging | 864 pcs/truck |

Temperature coefficients

| | |
|--|-----------------|
| Temperature coefficient of Isc (α) | 0.05 %/°C |
| Temperature coefficient of Voc (β) | -0.21 %/°C |
| Temperature coefficient of Pmax (γ) | -0.24 %/°C |
| Temperature range | -40 °C ~ +85 °C |
| Nominal operating cell temperature (NOCT) | 45 ± 2 °C |

| Electrical characteristics | MEPV 500 | |
|-----------------------------|-------------------|---------|
| | STC | NOCT |
| Nominal power. Pmax | 500 Wp | 380 Wp |
| Short-circuit current (Isc) | 15.29 A | 12.23 A |
| Open-circuit voltage (Voc) | 41.44 V | 39.37 V |
| Maximum power current (Imp) | 14.61 A | 11.69 A |
| Maximum power voltage (Vmp) | 34.24 V | 32.53 V |
| Module efficiency | 24.50 % | |
| Electrical characteristics | Bifacial gain 10% | |
| Nominal power. Pmax | 550 Wp | |
| Short-circuit current (Isc) | 16.82 A | |
| Open-circuit voltage (Voc) | 41.44 V | |
| Maximum power current (Imp) | 16.06 A | |
| Maximum power voltage (Vmp) | 34.24 V | |

* STC: 1000 W/m², module temperature 25°C, AM 1.5 * NOCT: 800 W/m², ambient temperature 20°C, AM 1.5

| Operating parameters | |
|--------------------------------|--|
| Maximum voltage | 1500 V |
| Maximum series fuse rating. Ir | 30 A |
| Power output tolerance | 0 - + 3 % |
| Voc and Isc tolerance | ± 3 % |
| Fire rating | Broof (t4) (EN 13501-5) Class A or C (UL 790) |
| Protection class | Class II (IEC 61140) |
| Mechanical loads | Front load 5400 Pa, Back load 2400 Pa |

Corporate and product certificates

| |
|--|
| ECOVADIS rating - Platinum Medal (TOP 1%) |
| Solar Industry Forced Labor Prevention Pledge by SEIA |
| ISO9001:2015 - Quality Management Systems |
| ISO14001:2015 - Environmental Management System |
| WEEE compliance in Germany |
| PV CYCLE Italy |
| IEC 61215 - Terrestrial photovoltaic (PV) modules - Design qualification and type approval |
| IEC 61730 - Photovoltaic (PV) module safety qualification |
| IEC 61701 - Photovoltaic (PV) modules - Salt mist corrosion testing |
| IEC 62716 - Photovoltaic (PV) modules - Ammonia corrosion testing |
| IEC TS 62804 - Photovoltaic (PV) modules - Test methods for the detection of potential-induced degradation |
| Hail resistance HW3/RG3 |
| Certificate of Factory Production Control (UK) - MCS |
| Fire reaction class: 1 - LAPI |
| Swissolar Quality Certificate |



NOTE: All information contained in this data sheet is provided for general information purposes only. Product specifications may be subject to technical modifications. Reception, installation and use shall comply with the applicable Installation Manual, General Conditions of Sale and Warranty Terms and Conditions. The latest versions of all technical documentation are available at www.eurener.com.

SINCE
1997
more than
energy

eurener.com
contact@eurenerworld.com
+34 960 045 515
Calle Colón, 1-23
46004, Valencia. Spain

European experts in residential modules

Since 1997 our main purpose has been to supply quality and long-lasting photovoltaic modules that allow us and future generations, to continue generating clean energy to take care of our planet.



UNITED KINGDOM
Solar for residential



MEPV COLOURED Series

↘ *Solar panels that shine in every tone*

Enhance your style with vibrant colours. Solar panels that blend seamlessly to give every surface a unique glow.

COLOURED — TOPCON N-TYPE TECHNOLOGY

› from 125 to 420W



TOPCon technology

It adds a thin oxide layer to the cell composition to further reduce recombination losses and increase the efficiency.



Colour selection

Modules available in 5 colours for a perfect match with different roofs or facades.



Modules available in double glass with bifacial cells version

More sustainable and reliable modules.

Extra energy yield possibility, thanks to the rear side production of the bifacial cells depending on albedo.



BIPV

Perfect module for architectural integration.



High reliability

PID resistance, certified according to IEC TS 62804 standards.

Salt mist resistance, certified according to IEC 61701 standards.

Ammonia resistance, certified according to IEC 62716 standards.



Optimized area (<math><2\text{m}^2</math>)

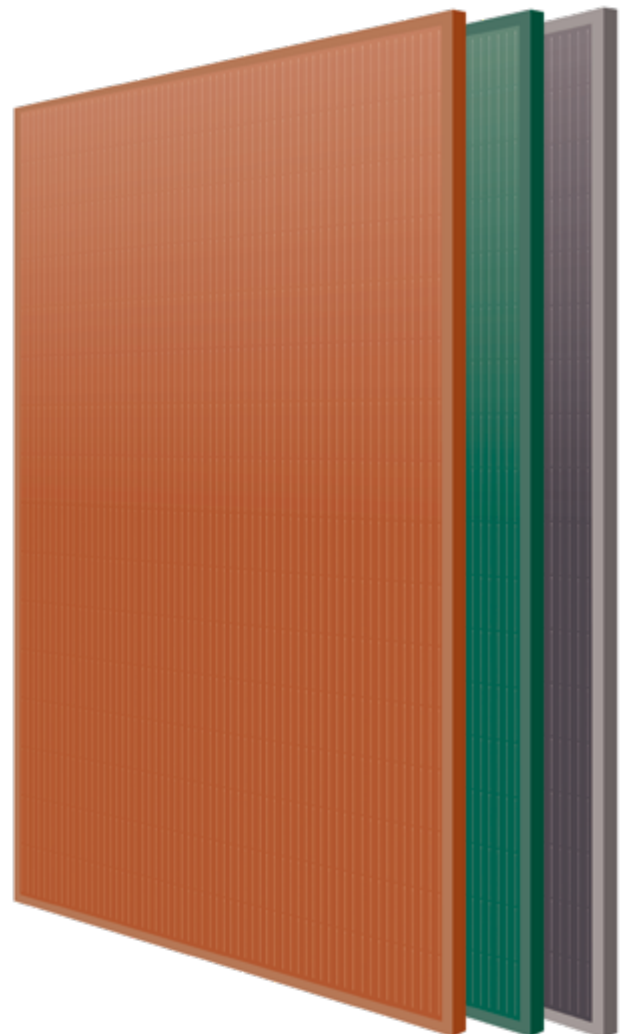
Perfect size for comfortable installations and easy handling.

Maintaining suitable power outputs.

25 Product Warranty
FOR COLOURED DG BIF

20 Product Warranty
FOR COLOURED

30 Performance Warranty





TOPCON N-TYPE TECHNOLOGY

MEPV COLOURED Series

‣ DATA SHEETS

- Eurener MEPV Terracotta 360-375W
pag. 63/64
- Eurener MEPV Terracotta DG Bif 400W
pag. 65/66
- Eurener MEPV Anthracite DG Bif 400W
pag. 67/68
- Eurener MEPV Emerald DG Bif 420W
pag. 69/70
- Eurener MEPV Sapphire DG Bif 420W
pag. 71/72
- Eurener MEPV Quartz DG Bif 125W
pag. 73/74

Terracotta TOPCon N-type

> 360 - 375W



Module efficiency
Module efficiency up to 19.2 %



Colour RAL 8001
Perfect integration on demanding BIPV projects



PID resistance
Certified according to IEC TS 62804 standards



Increased resistance
Certified resistance against salt mist and ammonia



Hail resistance
RG3/HW3 certified



Easy to handle
Comfortable installation thanks to an optimized area size

20 Years

Product Warranty
+5 years for Premium Partners

30 Years

Performance Warranty
Linear Warranty

2% First year degradation

0.55% Annual degradation

82.05% Power in year 30

Light up your world with Eurener

Eurener's extensive portfolio of certifications and awards is testament to our unwavering commitment to our partners and our deep sense of social and ethical responsibility.



Spanish Quality Worldwide



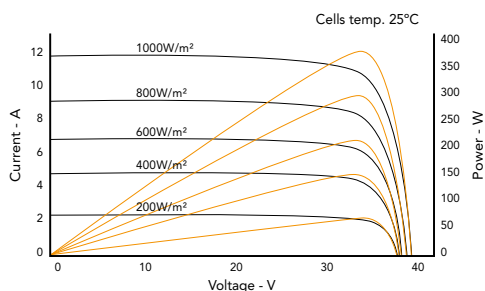
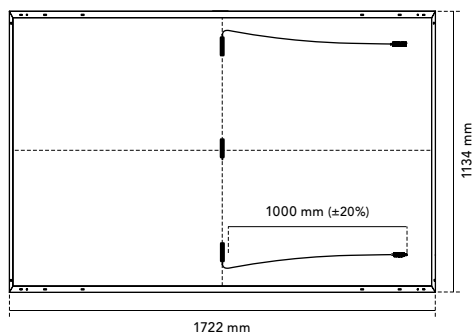
Awarded as TOP Brand PV



EcoVadis Platinum Medal for three consecutive years



Eurener MEPV — TERRACOTTA 360-375W



| Mechanical Specification | |
|--------------------------|--|
| Solar cells | N-Type monocrystalline silicon cells |
| Front Glass | 3.2 mm thick tempered glass with high strength and ARC |
| Frame | Terracotta anodized aluminium |
| Junction Box | IP68, 3 by-pass diodes |
| Connector | Original MC4-Evo 2 |
| Cable | 1000 mm (±20%) length and 4 mm ² section |
| Dimension | 1722 x 1134 x 30 mm (±1%) |
| Area | 1.95 m ² |
| Weight | 20.5 kg |
| Packaging | 936 pcs/truck |

| Temperature Coefficients | |
|---|-----------------|
| Temperature coefficient of Isc (α) | 0.05 %/°C |
| Temperature coefficient of Voc (β) | -0.28 %/°C |
| Temperature coefficient of Pmax (γ) | -0.29 %/°C |
| Temperature range | -40 °C ~ +85 °C |
| Nominal operating cell temperature (NOCT) | 45 ± 2 °C |

| | MEPV 360 | MEPV 365 | MEPV 370 | MEPV 375 |
|-----------------------------------|----------|----------|----------|----------|
| Electrical Characteristics | | | | |
| STC | | | | |
| Nominal power. Pmax | 360 Wp | 365 Wp | 370 Wp | 375 Wp |
| Short-circuit current (Isc) | 11.61 A | 11.69 A | 11.78 A | 11.87 A |
| Open-circuit voltage (Voc) | 38.71 V | 39.22 V | 39.48 V | 39.75 V |
| Maximum power current (Imp) | 10.71 A | 10.83 A | 10.94 A | 11.07 A |
| Maximum power voltage (Vmp) | 33.63 V | 33.69 V | 33.83 V | 33.98 V |
| Module efficiency | 18.4 % | 18.7 % | 18.9 % | 19.2 % |
| Electrical Characteristics | | | | |
| NOCT | | | | |
| Nominal power. Pmax | 274 Wp | 277 Wp | 281 Wp | 285 Wp |
| Short-circuit current (Isc) | 9.17 A | 9.19 A | 9.26 A | 9.33 A |
| Open-circuit voltage (Voc) | 36.56 V | 36.87 V | 37.08 V | 37.30 V |
| Maximum power current (Imp) | 8.69 A | 8.75 A | 8.81 A | 8.89 A |
| Maximum power voltage (Vmp) | 31.49 V | 31.69 V | 31.88 V | 32.08 V |

* STC: 1000 W/m², module temperature 25°C, AM 1.5 * NOCT: 800 W/m², ambient temperature 20°C, AM 1.5

| Operating parameters | |
|--------------------------------|--|
| Maximum voltage | 1500 V |
| Maximum series fuse rating. Ir | 25 A |
| Power output tolerance | 0 - + 3 % |
| Voc and Isc tolerance | ± 3 % |
| Fire rating | Broof (t4) (EN 13501-5) Class A or C (UL 790) |
| Protection class | Class II (IEC 61140) |
| Mechanical loads | Front load 5400 Pa, Back load 2400 Pa |

| Corporate and product certificates |
|--|
| ECOVADIS rating - Platinum Medal (TOP 1%) |
| Solar Industry Forced Labor Prevention Pledge by SEIA |
| ISO9001:2015 - Quality Management Systems |
| ISO14001:2015 - Environmental Management System |
| WEEE compliance in Germany |
| PV CYCLE Italy |
| IEC 61215 - Terrestrial photovoltaic (PV) modules - Design qualification and type approval |
| IEC 61730 - Photovoltaic (PV) module safety qualification |
| IEC 61701 - Photovoltaic (PV) modules - Salt mist corrosion testing |
| IEC 62716 - Photovoltaic (PV) modules - Ammonia corrosion testing |
| IEC TS 62804 - Photovoltaic (PV) modules - Test methods for the detection of potential-induced degradation |
| Hail resistance HW3/RG3 |
| Certificate of Factory Production Control (UK) - MCS |
| Fire reaction class: 1 - LAPI |
| Swissolar Quality Certificate |



NOTE: All information contained in this data sheet is provided for general information purposes only. Product specifications may be subject to technical modifications. Reception, installation and use shall comply with the applicable Installation Manual, General Conditions of Sale and Warranty Terms and Conditions. The latest versions of all technical documentation are available at www.eurener.com.

SINCE 1997 more than energy

eurener.com
contact@eurenerworld.com
 +34 960 045 515
 Calle Colón, 1-23
 46004, Valencia. Spain

European Experts in Residential modules

Since 1997 our main purpose has been to supply quality and long-lasting photovoltaic modules that allow us and future generations, to continue generating clean energy to take care of our planet.

Terracotta TOPCon N-type

FRONT SIDE

400W

› Double Glass Bifacial



Module efficiency

Module efficiency up to 20.02 %



Colour RAL 8001

Perfect integration on demanding BIPV projects



PID resistance

Certified according to IEC TS 62804 standards



Bifacial cell

Bifaciality factor: 80 ± 5 %



Sustainable product

High percentage of recyclable materials



Easy to handle

Comfortable installation thanks to an optimized area size

25

Years

Product Warranty

+5 years for Premium Partners

30

Years

Performance Warranty

Linear Warranty

2% First year degradation

0.55% Annual degradation

82.05% Power in year 30

Light up your world with Eurener

Eurener's extensive portfolio of certifications and awards is testament to our unwavering commitment to our partners and our deep sense of social and ethical responsibility.



Spanish Quality Worldwide



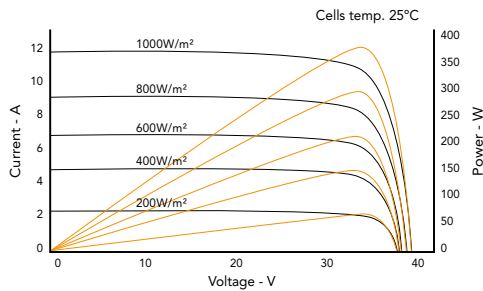
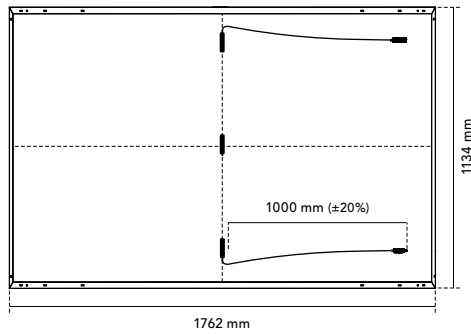
Awarded as TOP Brand PV



EcoVadis Platinum Medal for three consecutive years



Eurener MEPV — TERRACOTTA DG Bif 400W



| Mechanical specification | |
|--------------------------|---|
| Solar cells | N-Type bifacial monocrystalline silicon cells |
| Front Glass | 2 mm anti-reflective surface tempered solar glass |
| Back Glass | 2 mm tempered uncolored solar glass |
| Frame | Terracotta anodized aluminium |
| Junction Box | IP68, 3 by-pass diodes |
| Connector | Original MC4-Evo 2 |
| Cable | 1000 mm (±20%) length and 4 mm ² section |
| Dimension | 1762 x 1134 x 30 mm (±1%) |
| Area | 2.00 m ² |
| Weight | 25.5 kg |

| Temperature coefficients | |
|---|-----------------|
| Temperature coefficient of Isc (α) | 0.05 %/°C |
| Temperature coefficient of Voc (β) | -0.28 %/°C |
| Temperature coefficient of Pmax (γ) | -0.29 %/°C |
| Temperature range | -40 °C ~ +85 °C |
| Nominal operating cell temperature (NOCT) | 45 ± 2 °C |

| | MEPV 400 | |
|-----------------------------|-------------------|---------|
| Electrical characteristics | STC | NOCT |
| Nominal power. Pmax | 400 Wp | 302 Wp |
| Short-circuit current (Isc) | 14.34 A | 11.63 A |
| Open-circuit voltage (Voc) | 35.24 V | 33.28 V |
| Maximum power current (Imp) | 13.80 A | 11.16 A |
| Maximum power voltage (Vmp) | 29.00 V | 27.06 V |
| Module efficiency | 20.02 % | |
| Electrical characteristics | Bifacial gain 10% | |
| Nominal power. Pmax | 440 Wp | |
| Short-circuit current (Isc) | 15.77 A | |
| Open-circuit voltage (Voc) | 35.24 V | |
| Maximum power current (Imp) | 15.17 A | |
| Maximum power voltage (Vmp) | 29.00 V | |

* STC: 1000 W/m², module temperature 25°C, AM 1.5

* NOCT: 800 W/m², ambient temperature 20°C, AM 1.5

| Operating parameters | |
|--------------------------------|--|
| Maximum voltage | 1500 V |
| Maximum series fuse rating. Ir | 25 A |
| Power output tolerance | 0 - + 3 % |
| Voc and Isc tolerance | ± 3 % |
| Fire rating | Broof (t4) (EN 13501-5) Class A or C (UL 790) |
| Protection class | Class II (IEC 61140) |
| Mechanical loads | Front load 5400 Pa, Back load 2400 Pa |

| Corporate and product certificates |
|--|
| ECOVADIS rating - Platinum Medal (TOP 1%) |
| Solar Industry Forced Labor Prevention Pledge by SEIA |
| ISO9001:2015 - Quality Management Systems |
| ISO14001:2015 - Environmental Management System |
| WEEE compliance in Germany |
| PV CYCLE Italy |
| IEC 61215 - Terrestrial photovoltaic (PV) modules - Design qualification and type approval |
| IEC 61730 - Photovoltaic (PV) module safety qualification |
| IEC 61701 - Photovoltaic (PV) modules - Salt mist corrosion testing |
| IEC 62716 - Photovoltaic (PV) modules - Ammonia corrosion testing |
| IEC TS 62804 - Photovoltaic (PV) modules - Test methods for the detection of potential-induced degradation |
| Hail resistance HW3/RG3 |
| Certificate of Factory Production Control (UK) - MCS |
| Fire reaction class: 1 - LAPI |
| Swissolar Quality Certificate |



NOTE: All information contained in this data sheet is provided for general information purposes only. Product specifications may be subject to technical modifications. Reception, installation and use shall comply with the applicable Installation Manual, General Conditions of Sale and Warranty Terms and Conditions. The latest versions of all technical documentation are available at www.eurener.com.

SINCE
1997
more than
energy

eurener.com
contact@eurenerworld.com
+34 960 045 515
Calle Colón, 1-23
46004, Valencia. Spain

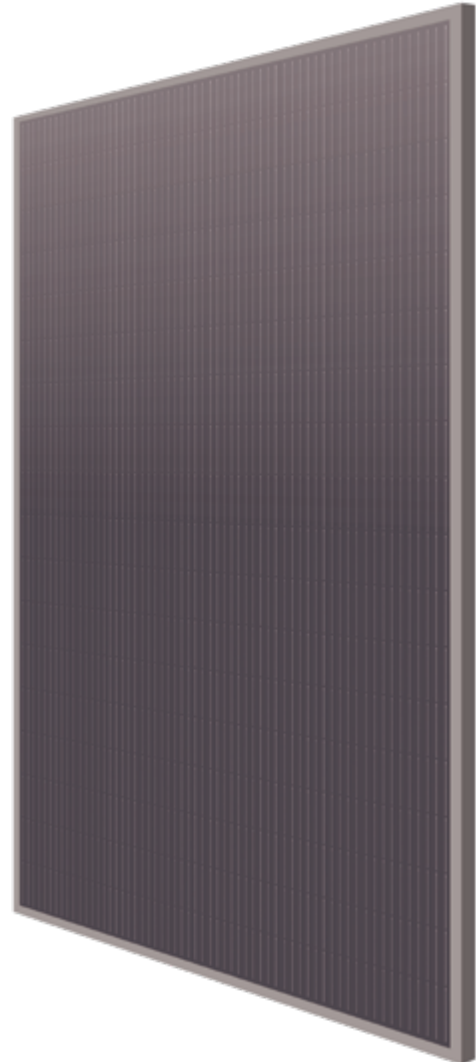
European experts in residential modules

Since 1997 our main purpose has been to supply quality and long-lasting photovoltaic modules that allow us and future generations, to continue generating clean energy to take care of our planet.

Anthracite TOPCon N-type

FRONT SIDE
400W

› Double Glass Bifacial



Module efficiency

Module efficiency up to 20.02 %



Colour RAL 7016

Perfect integration on demanding BIPV projects



PID resistance

Certified according to IEC TS 62804 standards



Bifacial cell

Bifaciality factor: 80 ± 5 %



Sustainable product

High percentage of recyclable materials



Easy to handle

Comfortable installation thanks to an optimized area size

25 Years

Product Warranty

+5 years for Premium Partners

30 Years

Performance Warranty

Linear Warranty

2% First year degradation

0.55% Annual degradation

82.05% Power in year 30

Light up your world with Eurener

Eurener's extensive portfolio of certifications and awards is testament to our unwavering commitment to our partners and our deep sense of social and ethical responsibility.



Spanish Quality Worldwide



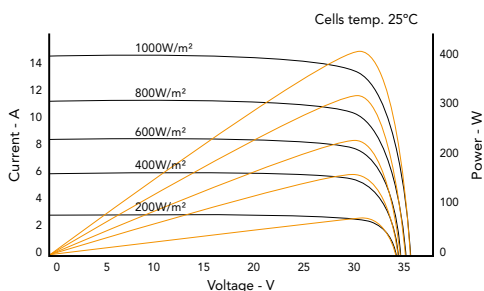
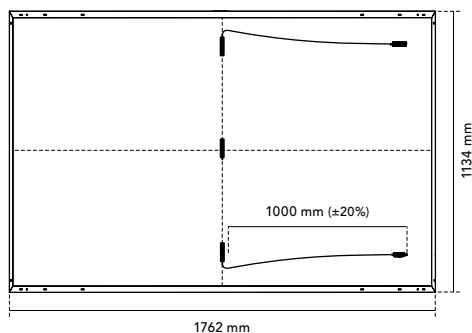
Awarded as TOP Brand PV



EcoVadis Platinum Medal for three consecutive years



Eurener MEPV — ANTHRACITE DG Bif 400W



| Mechanical specification | |
|--------------------------|---|
| Solar cells | N-Type bifacial monocrystalline silicon cells |
| Front Glass | 2 mm anti-reflective surface tempered solar glass |
| Back Glass | 2 mm tempered uncolored solar glass |
| Frame | Anthracite anodized aluminium |
| Junction Box | IP68, 3 by-pass diodes |
| Connector | Original MC4-Evo 2 |
| Cable | 1000 mm (±20%) length and 4 mm ² section |
| Dimension | 1762 x 1134 x 30 mm (±1%) |
| Area | 2.00 m ² |
| Weight | 25.5 kg |

| Temperature coefficients | |
|---|-----------------|
| Temperature coefficient of Isc (α) | 0.05 %/°C |
| Temperature coefficient of Voc (β) | -0.28 %/°C |
| Temperature coefficient of Pmax (γ) | -0.29 %/°C |
| Temperature range | -40 °C ~ +85 °C |
| Nominal operating cell temperature (NOCT) | 45 ± 2 °C |

| | MEPV 400 | |
|-----------------------------|-------------------|---------|
| Electrical characteristics | STC | NOCT |
| Nominal power. Pmax | 400 Wp | 296 Wp |
| Short-circuit current (Isc) | 14.48 A | 11.44 A |
| Open-circuit voltage (Voc) | 35.34 V | 33.38 V |
| Maximum power current (Imp) | 13.98 A | 11.04 A |
| Maximum power voltage (Vmp) | 28.62 V | 26.80 V |
| Module efficiency | 20.02 % | |
| Electrical characteristics | Bifacial gain 10% | |
| Nominal power. Pmax | 440 Wp | |
| Short-circuit current (Isc) | 15.93 A | |
| Open-circuit voltage (Voc) | 35.34 V | |
| Maximum power current (Imp) | 15.38 A | |
| Maximum power voltage (Vmp) | 28.62 V | |

* STC: 1000 W/m², module temperature 25°C, AM 1.5

* NOCT: 800 W/m², ambient temperature 20°C, AM 1.5

| Operating parameters | |
|--------------------------------|--|
| Maximum voltage | 1500 V |
| Maximum series fuse rating. Ir | 25 A |
| Power output tolerance | 0 - + 3 % |
| Voc and Isc tolerance | ± 3 % |
| Fire rating | Broof (t4) (EN 13501-5) Class A or C (UL 790) |
| Protection class | Class II (IEC 61140) |
| Mechanical loads | Front load 5400 Pa, Back load 2400 Pa |

| Corporate and product certificates |
|--|
| ECOVADIS rating - Platinum Medal (TOP 1%) |
| Solar Industry Forced Labor Prevention Pledge by SEIA |
| ISO9001:2015 - Quality Management Systems |
| ISO14001:2015 - Environmental Management System |
| WEEE compliance in Germany |
| PV CYCLE Italy |
| IEC 61215 - Terrestrial photovoltaic (PV) modules - Design qualification and type approval |
| IEC 61730 - Photovoltaic (PV) module safety qualification |
| IEC 61701 - Photovoltaic (PV) modules - Salt mist corrosion testing |
| IEC 62716 - Photovoltaic (PV) modules - Ammonia corrosion testing |
| IEC TS 62804 - Photovoltaic (PV) modules - Test methods for the detection of potential-induced degradation |
| Hail resistance HW3/RG3 |
| Certificate of Factory Production Control (UK) - MCS |
| Fire reaction class: 1 - LAPI |
| Swissolar Quality Certificate |



NOTE: All information contained in this data sheet is provided for general information purposes only. Product specifications may be subject to technical modifications. Reception, installation and use shall comply with the applicable Installation Manual, General Conditions of Sale and Warranty Terms and Conditions. The latest versions of all technical documentation are available at www.eurener.com.

SINCE 1997
more than energy

eurener.com
contact@eurenerworld.com
+34 960 045 515
Calle Colón, 1-23
46004, Valencia. Spain

European experts in residential modules

Since 1997 our main purpose has been to supply quality and long-lasting photovoltaic modules that allow us and future generations, to continue generating clean energy to take care of our planet.

Emerald TOPCon N-type

FRONT SIDE

420W

› Double Glass Bifacial

+21.0%

Module efficiency

Module efficiency up to 21.02 %



Colour RAL 6033

Perfect integration on demanding BIPV projects



PID resistance

Certified according to IEC TS 62804 standards



Bifacial cell

Bifaciality factor: 80 ± 5 %



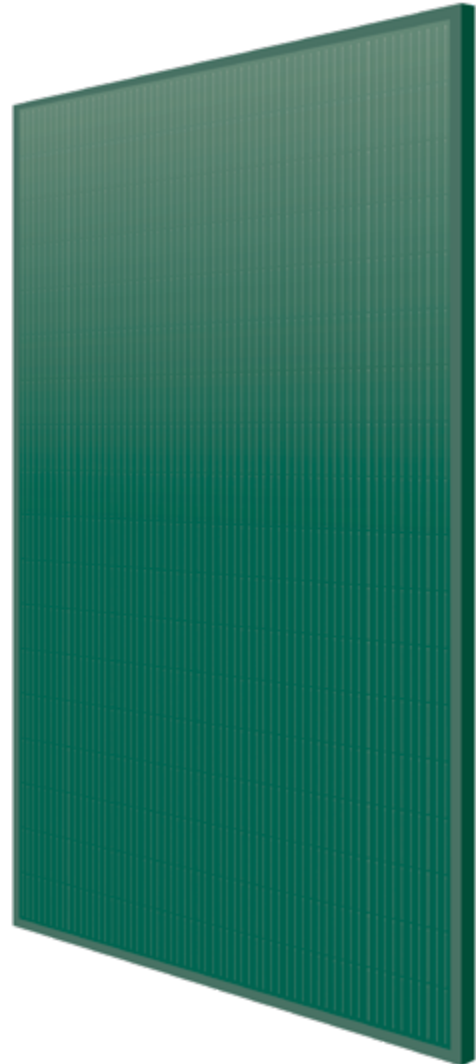
Sustainable product

High percentage of recyclable materials



Easy to handle

Comfortable installation thanks to an optimized area size



25

Years

Product Warranty

+5 years for Premium Partners

30

Years

Performance Warranty

Linear Warranty

2% First year degradation

0.55% Annual degradation

82.05% Power in year 30

Light up your world with Eurener

Eurener's extensive portfolio of certifications and awards is testament to our unwavering commitment to our partners and our deep sense of social and ethical responsibility.



Spanish Quality Worldwide



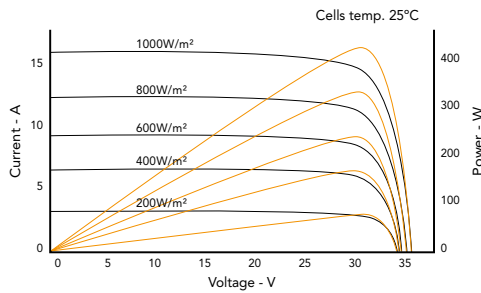
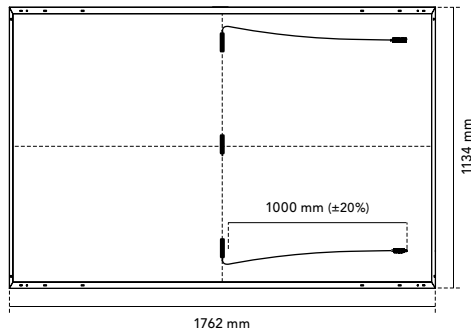
Awarded as TOP Brand PV



EcoVadis Platinum Medal for three consecutive years



Eurener MEPV — EMERALD DG Bif 420W



| Mechanical specification | |
|--------------------------|---|
| Solar cells | N-Type bifacial monocrystalline silicon cells |
| Front Glass | 2 mm anti-reflective surface tempered solar glass |
| Back Glass | 2 mm tempered uncolored solar glass |
| Frame | Emerald anodized aluminium |
| Junction Box | IP68, 3 by-pass diodes |
| Connector | Original MC4-Evo 2 |
| Cable | 1000 mm (±20%) length and 4 mm ² section |
| Dimension | 1762 x 1134 x 30 mm (±1%) |
| Area | 2.00 m ² |
| Weight | 25.5 kg |

| Temperature coefficients | |
|---|-----------------|
| Temperature coefficient of Isc (α) | 0.05 %/°C |
| Temperature coefficient of Voc (β) | -0.28 %/°C |
| Temperature coefficient of Pmax (γ) | -0.29 %/°C |
| Temperature range | -40 °C ~ +85 °C |
| Nominal operating cell temperature (NOCT) | 45 ± 2 °C |

| | MEPV 420 | |
|-----------------------------|-------------------|---------|
| Electrical characteristics | STC | NOCT |
| Nominal power. Pmax | 420 Wp | 312 Wp |
| Short-circuit current (Isc) | 15.45 A | 12.20 A |
| Open-circuit voltage (Voc) | 35.18 V | 33.22 V |
| Maximum power current (Imp) | 15.22 A | 12.09 A |
| Maximum power voltage (Vmp) | 27.61 V | 25.84 V |
| Module efficiency | 21.02 % | |
| Electrical characteristics | Bifacial gain 10% | |
| Nominal power. Pmax | 462 Wp | |
| Short-circuit current (Isc) | 17.00 A | |
| Open-circuit voltage (Voc) | 35.18 V | |
| Maximum power current (Imp) | 16.73 A | |
| Maximum power voltage (Vmp) | 27.61 V | |

* STC: 1000 W/m², module temperature 25°C, AM 1.5

* NOCT: 800 W/m², ambient temperature 20°C, AM 1.5

| Operating parameters | |
|--------------------------------|--|
| Maximum voltage | 1500 V |
| Maximum series fuse rating. Ir | 25 A |
| Power output tolerance | 0 - + 3 % |
| Voc and Isc tolerance | ± 3 % |
| Fire rating | Broof (t4) (EN 13501-5) Class A or C (UL 790) |
| Protection class | Class II (IEC 61140) |
| Mechanical loads | Front load 5400 Pa, Back load 2400 Pa |

| Corporate and product certificates |
|--|
| ECOVADIS rating - Platinum Medal (TOP 1%) |
| Solar Industry Forced Labor Prevention Pledge by SEIA |
| ISO9001:2015 - Quality Management Systems |
| ISO14001:2015 - Environmental Management System |
| WEEE compliance in Germany |
| PV CYCLE Italy |
| IEC 61215 - Terrestrial photovoltaic (PV) modules - Design qualification and type approval |
| IEC 61730 - Photovoltaic (PV) module safety qualification |
| IEC 61701 - Photovoltaic (PV) modules - Salt mist corrosion testing |
| IEC 62716 - Photovoltaic (PV) modules - Ammonia corrosion testing |
| IEC TS 62804 - Photovoltaic (PV) modules - Test methods for the detection of potential-induced degradation |
| Hail resistance HW3/RG3 |
| Certificate of Factory Production Control (UK) - MCS |
| Fire reaction class: 1 - LAPI |
| Swissolar Quality Certificate |



NOTE: All information contained in this data sheet is provided for general information purposes only. Product specifications may be subject to technical modifications. Reception, installation and use shall comply with the applicable Installation Manual, General Conditions of Sale and Warranty Terms and Conditions. The latest versions of all technical documentation are available at www.eurener.com.

SINCE 1997
more than energy

eurener.com
contact@eurenerworld.com
+34 960 045 515
Calle Colón, 1-23
46004, Valencia. Spain

European experts in residential modules

Since 1997 our main purpose has been to supply quality and long-lasting photovoltaic modules that allow us and future generations, to continue generating clean energy to take care of our planet.

Sapphire TOPCon N-type

FRONT SIDE
420W

› Double Glass Bifacial

+20.0%

Module efficiency

Module efficiency up to 20.02 %



Colour RAL

5023 (frame) 5009 (glass)

Perfect integration on demanding BIPV projects



PID resistance

Certified according to IEC TS 62804 standards



Bifacial cell

Bifaciality factor: $80 \pm 5\%$



Sustainable product

High percentage of recyclable materials



Easy to handle

Comfortable installation thanks to an optimized area size



25 Years

Product Warranty

+5 years for Premium Partners

30 Years

Performance Warranty

Linear Warranty

2% First year degradation

0.55% Annual degradation

82.05% Power in year 30

Light up your world with Eurener

Eurener's extensive portfolio of certifications and awards is testament to our unwavering commitment to our partners and our deep sense of social and ethical responsibility.



Spanish Quality Worldwide



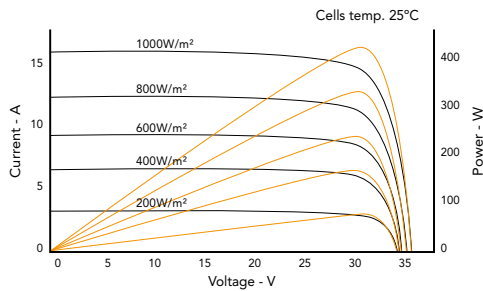
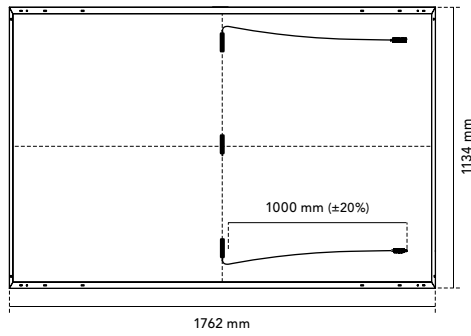
Awarded as TOP Brand PV



EcoVadis Platinum Medal for three consecutive years



Eurener MEPV — SAPPHIRE DG Bif 420W



| Mechanical specification | |
|--------------------------|---|
| Solar cells | N-Type bifacial monocrystalline silicon cells |
| Front Glass | 2 mm anti-reflective surface tempered solar glass |
| Back Glass | 2 mm tempered uncolored solar glass |
| Frame | Sapphire anodized aluminium |
| Junction Box | IP68, 3 by-pass diodes |
| Connector | Original MC4-Evo 2 |
| Cable | 1000 mm (±20%) length and 4 mm ² section |
| Dimension | 1762 x 1134 x 30 mm (±1%) |
| Area | 2.00 m ² |
| Weight | 25.5 kg |

| Temperature coefficients | |
|---|-----------------|
| Temperature coefficient of Isc (α) | 0.05 %/°C |
| Temperature coefficient of Voc (β) | -0.28 %/°C |
| Temperature coefficient of Pmax (γ) | -0.29 %/°C |
| Temperature range | -40 °C ~ +85 °C |
| Nominal operating cell temperature (NOCT) | 45 ± 2 °C |

| | MEPV 420 | |
|-----------------------------|-------------------|---------|
| Electrical characteristics | STC | NOCT |
| Nominal power. Pmax | 420 Wp | 311 Wp |
| Short-circuit current (Isc) | 15.31 A | 12.09 A |
| Open-circuit voltage (Voc) | 35.22 V | 33.27 V |
| Maximum power current (Imp) | 14.72 A | 11.63 A |
| Maximum power voltage (Vmp) | 28.53 V | 26.72 V |
| Module efficiency | 21.02 % | |
| Electrical characteristics | Bifacial gain 10% | |
| Nominal power. Pmax | 462 Wp | |
| Short-circuit current (Isc) | 16.84 A | |
| Open-circuit voltage (Voc) | 35.22 V | |
| Maximum power current (Imp) | 16.19 A | |
| Maximum power voltage (Vmp) | 28.53 V | |

* STC: 1000 W/m², module temperature 25°C, AM 1.5

* NOCT: 800 W/m², ambient temperature 20°C, AM 1.5

| Operating parameters | |
|--------------------------------|--|
| Maximum voltage | 1500 V |
| Maximum series fuse rating. Ir | 25 A |
| Power output tolerance | 0 - +3 % |
| Voc and Isc tolerance | ± 3 % |
| Fire rating | Broof (t4) (EN 13501-5) Class A or C (UL 790) |
| Protection class | Class II (IEC 61140) |
| Mechanical loads | Front load 5400 Pa, Back load 2400 Pa |

| Corporate and product certificates |
|--|
| ECOVADIS rating - Platinum Medal (TOP 1%) |
| Solar Industry Forced Labor Prevention Pledge by SEIA |
| ISO9001:2015 - Quality Management Systems |
| ISO14001:2015 - Environmental Management System |
| WEEE compliance in Germany |
| PV CYCLE Italy |
| IEC 61215 - Terrestrial photovoltaic (PV) modules - Design qualification and type approval |
| IEC 61730 - Photovoltaic (PV) module safety qualification |
| IEC 61701 - Photovoltaic (PV) modules - Salt mist corrosion testing |
| IEC 62716 - Photovoltaic (PV) modules - Ammonia corrosion testing |
| IEC TS 62804 - Photovoltaic (PV) modules - Test methods for the detection of potential-induced degradation |
| Hail resistance HW3/RG3 |
| Certificate of Factory Production Control (UK) - MCS |
| Fire reaction class: 1 - LAPI |
| Swissolar Quality Certificate |



NOTE: All information contained in this data sheet is provided for general information purposes only. Product specifications may be subject to technical modifications. Reception, installation and use shall comply with the applicable Installation Manual, General Conditions of Sale and Warranty Terms and Conditions. The latest versions of all technical documentation are available at www.eurener.com.

SINCE
1997
more than
energy

eurener.com
contact@eurenerworld.com
+34 960 045 515
Calle Colón, 1-23
46004, Valencia. Spain

European experts in residential modules

Since 1997 our main purpose has been to supply quality and long-lasting photovoltaic modules that allow us and future generations, to continue generating clean energy to take care of our planet.

Quartz TOPCon N-type

FRONT SIDE

125W

› Double Glass Bifacial



Module efficiency

Module efficiency up to 6.26 %



Colour RAL 9016

Perfect integration on demanding BIPV projects



PID resistance

Certified according to IEC TS 62804 standards



Bifacial cell

Bifaciality factor: 80 ± 5 %



Sustainable product

High percentage of recyclable materials



Easy to handle

Comfortable installation thanks to an optimized area size



25

Years

Product Warranty

+5 years for Premium Partners

30

Years

Performance Warranty

Linear Warranty

2% First year degradation

0.55% Annual degradation

82.05% Power in year 30

Light up your world with Eurener

Eurener's extensive portfolio of certifications and awards is testament to our unwavering commitment to our partners and our deep sense of social and ethical responsibility.



Spanish Quality Worldwide



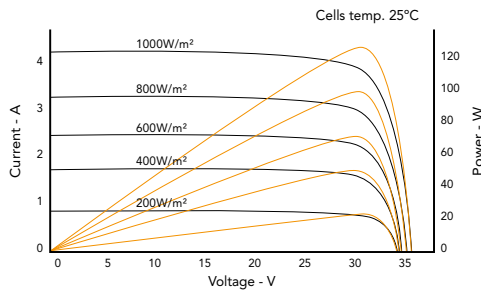
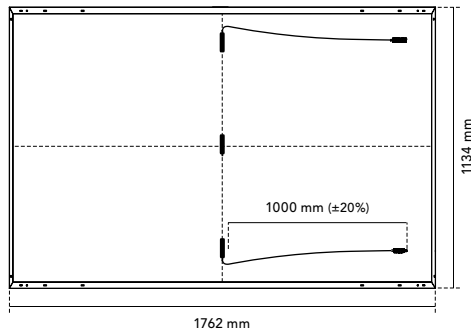
Awarded as TOP Brand PV



EcoVadis Platinum Medal for three consecutive years



Eurener MEPV — QUARTZ DG Bif 125W



Mechanical specification

| | |
|--------------|---|
| Solar cells | N-Type bifacial monocrystalline silicon cells |
| Front Glass | 2 mm anti-reflective surface tempered solar glass |
| Back Glass | 2 mm tempered uncolored solar glass |
| Frame | Quartz anodized aluminium |
| Junction Box | IP68, 3 by-pass diodes |
| Connector | Original MC4-Evo 2 |
| Cable | 1000 mm (±20%) length and 4 mm ² section |
| Dimension | 1762 x 1134 x 30 mm (±1%) |
| Area | 2.00 m ² |
| Weight | 25.5 kg |

Temperature coefficients

| | |
|---|-----------------|
| Temperature coefficient of Isc (α) | 0.05 %/°C |
| Temperature coefficient of Voc (β) | -0.28 %/°C |
| Temperature coefficient of Pmax (γ) | -0.29 %/°C |
| Temperature range | -40 °C ~ +85 °C |
| Nominal operating cell temperature (NOCT) | 45 ± 2 °C |

MEPV 125

| Electrical characteristics | STC | NOCT |
|-----------------------------|---------|---------|
| Nominal power. Pmax | 125 Wp | 92 Wp |
| Short-circuit current (Isc) | 4.50 A | 3.56 A |
| Open-circuit voltage (Voc) | 35.34 V | 33.38 V |
| Maximum power current (Imp) | 4.37 A | 3.45 A |
| Maximum power voltage (Vmp) | 28.62 V | 26.80 V |
| Module efficiency | 6.25 % | |

| Electrical characteristics | Bifacial gain 10% |
|-----------------------------|-------------------|
| Nominal power. Pmax | 138 Wp |
| Short-circuit current (Isc) | 4.95 A |
| Open-circuit voltage (Voc) | 35.34 V |
| Maximum power current (Imp) | 4.80 A |
| Maximum power voltage (Vmp) | 28.62 V |

* STC: 1000 W/m², module temperature 25°C, AM 1.5

* NOCT: 800 W/m², ambient temperature 20°C, AM 1.5

Operating parameters

| | |
|--------------------------------|--|
| Maximum voltage | 1500 V |
| Maximum series fuse rating. Ir | 25 A |
| Power output tolerance | 0 - + 3 % |
| Voc and Isc tolerance | ± 3 % |
| Fire rating | Broof (t4) (EN 13501-5) Class A or C (UL 790) |
| Protection class | Class II (IEC 61140) |
| Mechanical loads | Front load 5400 Pa, Back load 2400 Pa |

Corporate and product certificates

| |
|--|
| ECOVADIS rating - Platinum Medal (TOP 1%) |
| Solar Industry Forced Labor Prevention Pledge by SEIA |
| ISO9001:2015 - Quality Management Systems |
| ISO14001:2015 - Environmental Management System |
| WEEE compliance in Germany |
| PV CYCLE Italy |
| IEC 61215 - Terrestrial photovoltaic (PV) modules - Design qualification and type approval |
| IEC 61730 - Photovoltaic (PV) module safety qualification |
| IEC 61701 - Photovoltaic (PV) modules - Salt mist corrosion testing |
| IEC 62716 - Photovoltaic (PV) modules - Ammonia corrosion testing |
| IEC TS 62804 - Photovoltaic (PV) modules - Test methods for the detection of potential-induced degradation |
| Hail resistance HW3/RG3 |
| Certificate of Factory Production Control (UK) - MCS |
| Fire reaction class: 1 - LAPI |
| Swissolar Quality Certificate |



NOTE: All information contained in this data sheet is provided for general information purposes only. Product specifications may be subject to technical modifications. Reception, installation and use shall comply with the applicable Installation Manual, General Conditions of Sale and Warranty Terms and Conditions. The latest versions of all technical documentation are available at www.eurener.com.

SINCE
1997
more than
energy

eurener.com
contact@eurenerworld.com
+34 960 045 515
Calle Colón, 1-23
46004, Valencia. Spain

European experts in residential modules

Since 1997 our main purpose has been to supply quality and long-lasting photovoltaic modules that allow us and future generations, to continue generating clean energy to take care of our planet.



Murcia. SPAIN
Floating solar for self-consumption



MEPV ICON Series

↘ *Versatile, reliable, timeless*

Manufactured in a wide range of finishes, this iconic solar module sets the industry standard. Designed to fit any installation, its multiple power options and sizes make it the perfect choice for any solar requirement.

ICON — PERC TECHNOLOGY

› from 375 to 550W



Half cut technology

The parallel connection of the half-cell modules maintains production when one of the parts is shaded.

This increases efficiency and reliability reducing the appearing of hot spots and dismisin cell degradation.



Improved energy yield under unfavourable conditions

Cells capable of absorbing light during dawn and sunset.

Better response to diffuse light (dusty or cloudy skies).



Project versatility

Modules that fit residential, industrial and large installations thanks to the different available sizes.



Different designs

Customizable module aesthetics: Black - Silver - Bicolour.



Resistance against PID

Certified according to IEC TS 62804-1:2015 standards.



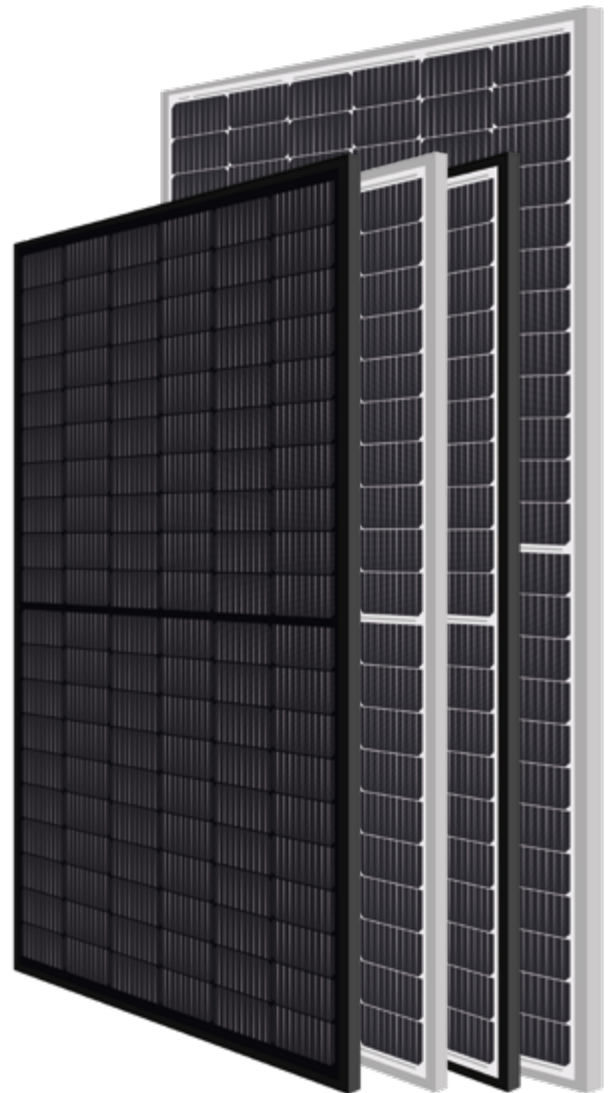
Hail resistance RG3/HW3

Certified resistance against hail impacts of 30 mm diameter at 23.9 m/s.

25 Product Warranty
FOR ICON PLUS DG BIF

20 Product Warranty
FOR ICON AND ICON PLUS

30 Performance Warranty





PERC TECHNOLOGY

MEPV ICON Series

‣ DATA SHEETS

- Eurener MEPV Icon 375-380W
pag. 79/80
- Eurener MEPV Icon 400-420W
pag. 81/82
- Eurener MEPV Icon Plus 450-460W
pag. 83/84
- Eurener MEPV Icon Plus 500W
pag. 85/86
- Eurener MEPV Icon Plus 550W
pag. 87/88
- Eurener MEPV Icon Plus DG Bif 550W
pag. 89/90

Icon PERC

> **375-380W**



Module efficiency
Module efficiency up to 20.87 %



Different designs
Black - Silver - Bicolour



PID resistance
Certified according to IEC TS 62804 standards



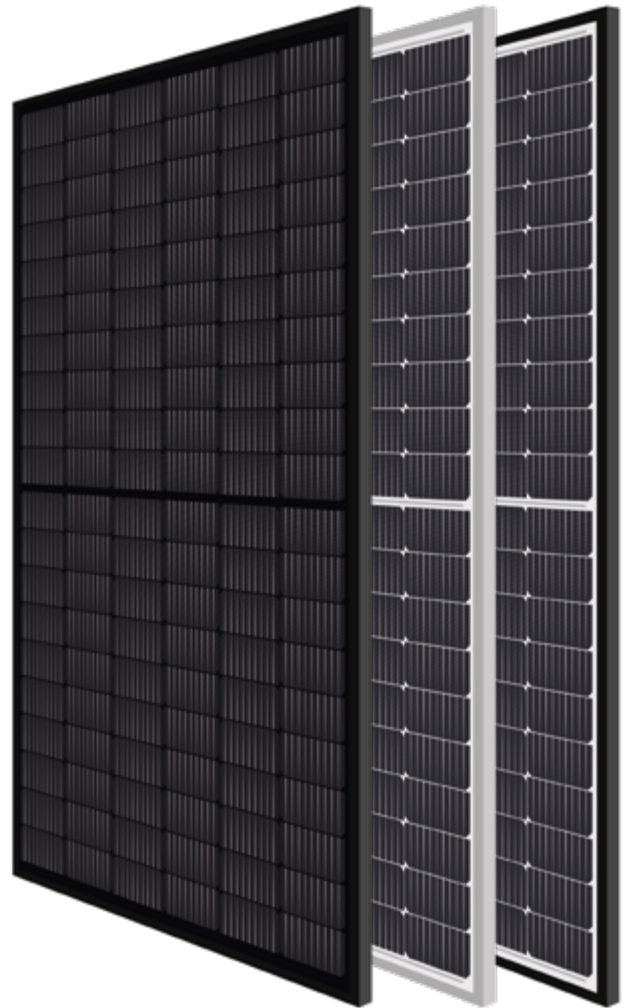
High reliability
Certified resistance against salt mist, dust, sand, and ammonia



Hail resistance
RG3/HW3 certified



Easy to handle
Comfortable installation thanks to an optimized area size



20 Years

Product Warranty
+5 years for Premium Partners

30 Years

Performance Warranty
Linear Warranty

2% First year degradation

0.62% Annual degradation

80% Power in year 30

Light up your world with Eurener

Eurener's extensive portfolio of certifications and awards is testament to our unwavering commitment to our partners and our deep sense of social and ethical responsibility.



Spanish Quality Worldwide



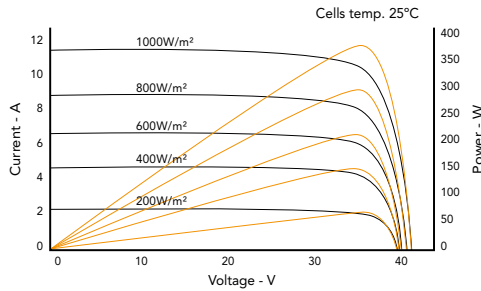
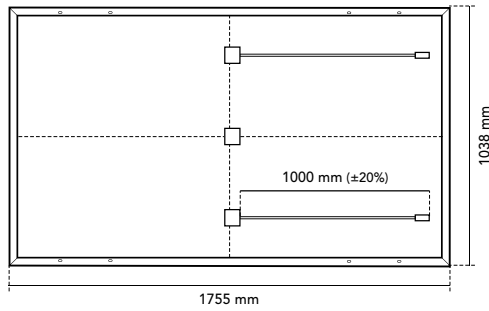
Awarded as TOP Brand PV



EcoVadis Platinum Medal for three consecutive years



Eurener MEPV — ICON 375-380W



| Mechanical specification | |
|--------------------------|--|
| Solar cells | Monocrystalline silicon cells |
| Front Glass | 3.2 mm thick tempered glass with high strength and ARC |
| Frame | Black/silver anodized aluminium |
| Junction Box | IP68, 3 by-pass diodes |
| Connector | Connector MC4 compatible |
| Cable | 1000 mm (±20%) length and 4 mm ² section |
| Dimension | 1755 x 1038 x 35 mm (±1%) |
| Area | 1.82 m ² |
| Weight | 19.2 kg |
| Packaging | 858 pcs/truck |

| Temperature coefficients | |
|---|-----------------|
| Temperature coefficient of Isc (α) | 0.041 %/°C |
| Temperature coefficient of Voc (β) | -0.295 %/°C |
| Temperature coefficient of Pmax (γ) | -0.37 %/°C |
| Temperature range | -40 °C ~ +85 °C |
| Nominal operating cell temperature (NOCT) | 43 ± 3 °C |

| | MEPV 375 | MEPV 380 |
|-----------------------------------|----------|----------|
| Electrical characteristics | | |
| | STC | |
| Nominal power. Pmax | 375 Wp | 380 Wp |
| Short-circuit current (Isc) | 11.46 A | 11.55 A |
| Open-circuit voltage (Voc) | 41.50 V | 41.70 V |
| Maximum power current (Imp) | 10.95 A | 11.03 A |
| Maximum power voltage (Vmp) | 34.28 V | 34.47 V |
| Module efficiency | 20.61 % | 20.87 % |
| Electrical characteristics | | |
| | NOCT | |
| Nominal power. Pmax | 283 Wp | 287 Wp |
| Short-circuit current (Isc) | 9.24 A | 9.31 A |
| Open-circuit voltage (Voc) | 39.30 V | 39.49 V |
| Maximum power current (Imp) | 8.83 A | 8.89 A |
| Maximum power voltage (Vmp) | 32.08 V | 32.26 V |

* STC: 1000 W/m², module temperature 25°C, AM 1.5

* NOCT: 800 W/m², ambient temperature 20°C, AM 1.5

| Operating parameters | |
|--------------------------------|--|
| Maximum voltage | 1500 V |
| Maximum series fuse rating. Ir | 30 A |
| Power output tolerance | 0 - + 3 % |
| Voc and Isc tolerance | ± 3 % |
| Fire rating | Broof (t4) (EN 13501-5) Class A or C (UL 790) |
| Protection class | Class II (IEC 61140) |
| Mechanical loads | Front load 5400 Pa, Back load 2400 Pa |

| Corporate and product certificates |
|--|
| ECOVADIS rating - Platinum Medal (TOP 1%) |
| Solar Industry Forced Labor Prevention Pledge by SEIA |
| ISO9001:2015 - Quality Management Systems |
| ISO14001:2015 - Environmental Management System |
| WEEE compliance in Germany |
| PV CYCLE Italy |
| IEC 61215 - Terrestrial photovoltaic (PV) modules - Design qualification and type approval |
| IEC 61730 - Photovoltaic (PV) module safety qualification |
| IEC 61701 - Photovoltaic (PV) modules - Salt mist corrosion testing |
| IEC 62716 - Photovoltaic (PV) modules - Ammonia corrosion testing |
| IEC TS 62804 - Photovoltaic (PV) modules - Test methods for the detection of potential-induced degradation |
| Hail resistance HW3/RG3 |
| Certificate of Factory Production Control (UK) - MCS |
| Fire reaction class: 1 - LAPI |
| Swissolar Quality Certificate |



NOTE: All information contained in this data sheet is provided for general information purposes only. Product specifications may be subject to technical modifications. Reception, installation and use shall comply with the applicable Installation Manual, General Conditions of Sale and Warranty Terms and Conditions. The latest versions of all technical documentation are available at www.eurener.com.

SINCE
1997
more than
energy

eurener.com
contact@eurenerworld.com
+34 960 045 515
Calle Colón, 1-23
46004, Valencia. Spain

European experts in residential modules

Since 1997 our main purpose has been to supply quality and long-lasting photovoltaic modules that allow us and future generations, to continue generating clean energy to take care of our planet.

Icon PERC

> **400- 420W**



Module efficiency
Module efficiency up to 21.49 %



Different designs
Black - Silver - Bicolour



PID resistance
Certified according to IEC TS 62804 standards



High reliability
Certified resistance against salt mist, dust, sand, and ammonia



Hail resistance
RG3/HW3 certified



Easy to handle
Comfortable installation thanks to an optimized area size



20 Years

Product Warranty
+5 years for Premium Partners

30 Years

Performance Warranty
Linear Warranty

2% First year degradation

0.62% Annual degradation

80% Power in year 30

Light up your world with Eurener

Eurener's extensive portfolio of certifications and awards is testament to our unwavering commitment to our partners and our deep sense of social and ethical responsibility.



Spanish Quality Worldwide



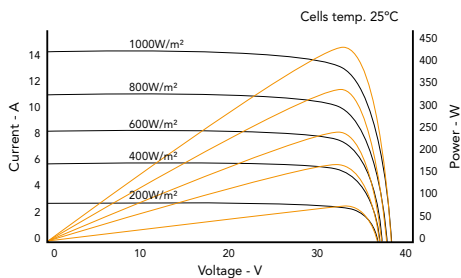
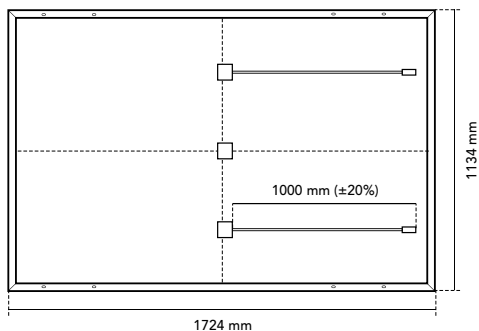
Awarded as TOP Brand PV



EcoVadis Platinum Medal for three consecutive years



Eurener MEPV — ICON 400-420W



| Mechanical specification | |
|--------------------------|--|
| Solar cells | Monocrystalline silicon cells |
| Front Glass | 3.2 mm thick tempered glass with high strength and ARC |
| Frame | Black/silver anodized aluminium |
| Junction Box | IP68, 3 by-pass diodes |
| Connector | Connector MC4 compatible |
| Cable | 1000 mm (±20%) length and 4 mm ² section |
| Dimension | 1724 x 1134 x 30 mm (±1%) |
| Area | 1.96 m ² |
| Weight | 21.5 kg |
| Packaging | 962/936 pcs/truck |

| Temperature coefficients | |
|---|-----------------|
| Temperature coefficient of Isc (α) | 0.044 %/°C |
| Temperature coefficient of Voc (β) | -0.276 %/°C |
| Temperature coefficient of Pmax (γ) | -0.35 %/°C |
| Temperature range | -40 °C ~ +85 °C |
| Nominal operating cell temperature (NOCT) | 45 ± 2 °C |

| | MEPV 400 | MEPV 410 | MEPV 415 | MEPV 420 SILVER ONLY |
|-----------------------------------|----------|----------|----------|-------------------------|
| Electrical characteristics | | | | |
| STC | | | | |
| Nominal power. Pmax | 400 Wp | 410 Wp | 415 Wp | 420 Wp |
| Short-circuit current (Isc) | 13.79 A | 13.95 A | 14.02 A | 14.10 A |
| Open-circuit voltage (Voc) | 37.07 V | 37.32 V | 37.45 V | 37.57 V |
| Maximum power current (Imp) | 12.90 A | 13.04 A | 13.13 A | 13.21 A |
| Maximum power voltage (Vmp) | 31.01 V | 31.45 V | 31.61 V | 31.81 V |
| Module efficiency | 20.46 % | 20.98 % | 21.23 % | 21.49 % |
| Electrical characteristics | | | | |
| NOCT | | | | |
| Nominal power. Pmax | 302 Wp | 309 Wp | 313 Wp | 317 Wp |
| Short-circuit current (Isc) | 11.13 A | 11.26 A | 11.31 A | 11.38 A |
| Open-circuit voltage (Voc) | 35.02 V | 35.26 V | 35.38 V | 35.50 V |
| Maximum power current (Imp) | 10.42 A | 10.53 A | 10.60 A | 10.67 A |
| Maximum power voltage (Vmp) | 28.96 V | 29.39 V | 29.54 V | 29.74 V |

* STC: 1000 W/m², module temperature 25°C, AM 1.5

* NOCT: 800 W/m², ambient temperature 20°C, AM 1.5

| Operating parameters | |
|--------------------------------|--|
| Maximum voltage | 1500 V |
| Maximum series fuse rating. Ir | 30 A |
| Power output tolerance | 0 - + 3 % |
| Voc and Isc tolerance | ± 3 % |
| Fire rating | Broof (t4) (EN 13501-5) Class A or C (UL 790) |
| Protection class | Class II (IEC 61140) |
| Mechanical loads | Front load 5400 Pa, Back load 2400 Pa |

| Corporate and product certificates |
|--|
| ECOVADIS rating - Platinum Medal (TOP 1%) |
| Solar Industry Forced Labor Prevention Pledge by SEIA |
| ISO9001:2015 - Quality Management Systems |
| ISO14001:2015 - Environmental Management System |
| WEEE compliance in Germany |
| PV CYCLE Italy |
| IEC 61215 - Terrestrial photovoltaic (PV) modules - Design qualification and type approval |
| IEC 61730 - Photovoltaic (PV) module safety qualification |
| IEC 61701 - Photovoltaic (PV) modules - Salt mist corrosion testing |
| IEC 62716 - Photovoltaic (PV) modules - Ammonia corrosion testing |
| IEC TS 62804 - Photovoltaic (PV) modules - Test methods for the detection of potential-induced degradation |
| Hail resistance HW3/RG3 |
| Certificate of Factory Production Control (UK) - MCS |
| Fire reaction class: 1 - LAPI |
| Swissolar Quality Certificate |



NOTE: All information contained in this data sheet is provided for general information purposes only. Product specifications may be subject to technical modifications. Reception, installation and use shall comply with the applicable Installation Manual, General Conditions of Sale and Warranty Terms and Conditions. The latest versions of all technical documentation are available at www.eurener.com.

SINCE
1997
more than
energy

eurener.com
contact@eurenerworld.com
+34 960 045 515
Calle Colón, 1-23
46004, Valencia. Spain

European experts in residential modules

Since 1997 our main purpose has been to supply quality and long-lasting photovoltaic modules that allow us and future generations, to continue generating clean energy to take care of our planet.

Icon Plus PERC

> 450-460W

+21.1%

Module efficiency

Module efficiency up to 21.19 %



Different designs

Black - Silver - Bicolour



PID resistance

Certified according to IEC TS 62804 standards



High reliability

Certified resistance against salt mist, dust, sand, and ammonia



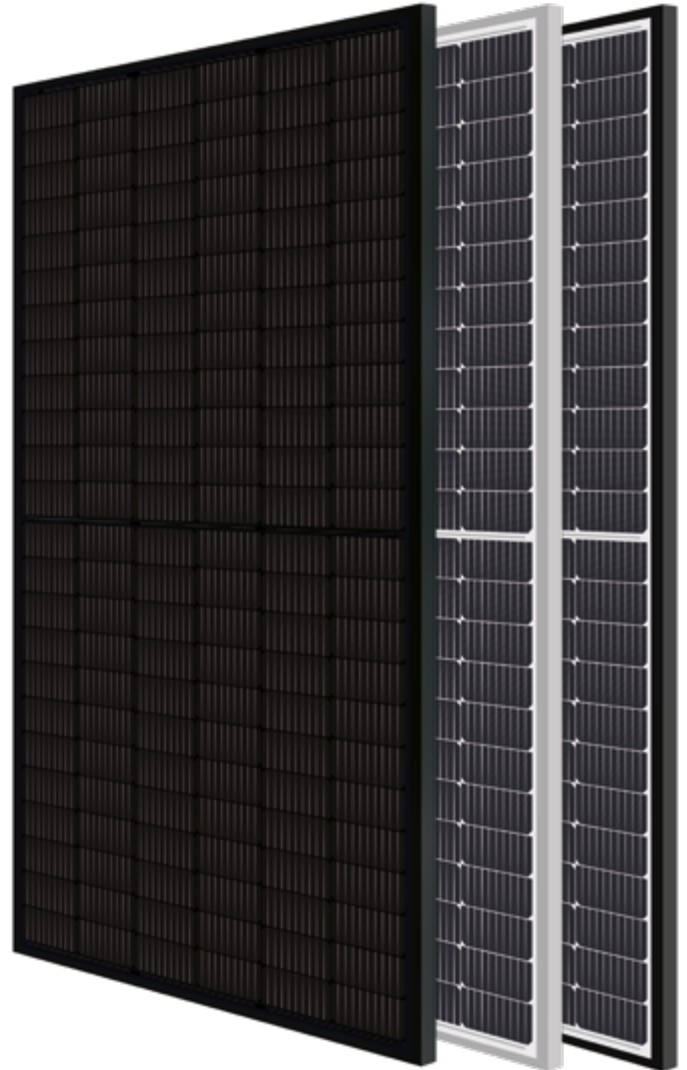
Hail resistance

RG3/HW3 certified



Project versatility

For both residential and industrial roofs



20 Years

Product Warranty

+5 years for Premium Partners

30 Years

Performance Warranty

Linear Warranty

2% First year degradation

0.62% Annual degradation

80% Power in year 30

Light up your world with Eurener

Eurener's extensive portfolio of certifications and awards is testament to our unwavering commitment to our partners and our deep sense of social and ethical responsibility.



Spanish Quality Worldwide



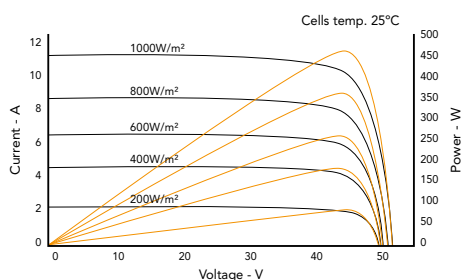
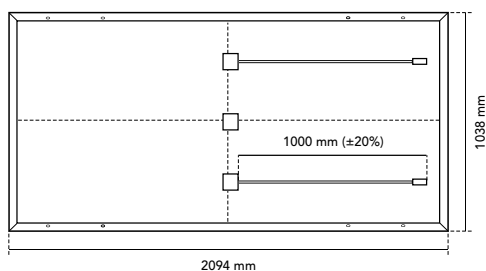
Awarded as TOP Brand PV



EcoVadis Platinum Medal for three consecutive years



Eurener MEPV — ICON Plus 450-460W



| Mechanical specification | |
|--------------------------|--|
| Solar cells | Monocrystalline silicon cells |
| Front Glass | 3.2 mm thick tempered glass with high strength and ARC |
| Frame | Black/silver anodized aluminium |
| Junction Box | IP68, 3 by-pass diodes |
| Connector | Connector MC4 compatible |
| Cable | 1000 mm (±20%) length and 4 mm ² section |
| Dimension | 2094 x 1038 x 35 mm (±1%) |
| Area | 2.17 m ² |
| Weight | 25 kg |
| Packaging | 726 pcs/truck |

| Temperature coefficients | |
|--|-----------------|
| Temperature coefficient of Isc (α) | 0.046 %/°C |
| Temperature coefficient of Voc (β) | -0.276 %/°C |
| Temperature coefficient of Pmax (γ) | -0.381 %/°C |
| Temperature range | -40 °C ~ +85 °C |
| Nominal operating cell temperature (NOCT) | 45 ± 2 °C |

| | MEPV 450 | MEPV 460 |
|-----------------------------------|----------|----------|
| Electrical characteristics | | |
| | STC | |
| Nominal power. Pmax | 450 Wp | 460 Wp |
| Short-circuit current (Isc) | 11.50 A | 11.66 A |
| Open-circuit voltage (Voc) | 49.98 V | 50.38 V |
| Maximum power current (Imp) | 10.89 A | 11.03 A |
| Maximum power voltage (Vmp) | 41.36 V | 41.76 V |
| Module efficiency | 20.72 % | 21.19 % |
| Electrical characteristics | | |
| | NOCT | |
| Nominal power. Pmax | 339 Wp | 350 Wp |
| Short-circuit current (Isc) | 9.26 A | 9.37 A |
| Open-circuit voltage (Voc) | 47.18 V | 47.52 V |
| Maximum power current (Imp) | 8.71 A | 8.88 A |
| Maximum power voltage (Vmp) | 38.88 V | 39.39 V |

* STC: 1000 W/m², module temperature 25°C, AM 1.5

* NOCT: 800 W/m², ambient temperature 20°C, AM 1.5

| Operating parameters | |
|--------------------------------|--|
| Maximum voltage | 1500 V |
| Maximum series fuse rating. Ir | 20 A |
| Power output tolerance | 0 - + 3 % |
| Voc and Isc tolerance | ± 3 % |
| Fire rating | Broof (t4) (EN 13501-5) Class A or C (UL 790) |
| Protection class | Class II (IEC 61140) |
| Mechanical loads | Front load 5400 Pa, Back load 2400 Pa |

| Corporate and product certificates |
|--|
| ECOVADIS rating - Platinum Medal (TOP 1%) |
| Solar Industry Forced Labor Prevention Pledge by SEIA |
| ISO9001:2015 - Quality Management Systems |
| ISO14001:2015 - Environmental Management System |
| WEEE compliance in Germany |
| PV CYCLE Italy |
| IEC 61215 - Terrestrial photovoltaic (PV) modules - Design qualification and type approval |
| IEC 61730 - Photovoltaic (PV) module safety qualification |
| IEC 61701 - Photovoltaic (PV) modules - Salt mist corrosion testing |
| IEC 62716 - Photovoltaic (PV) modules - Ammonia corrosion testing |
| IEC TS 62804 - Photovoltaic (PV) modules - Test methods for the detection of potential-induced degradation |
| Hail resistance HW3/RG3 |
| Certificate of Factory Production Control (UK) - MCS |
| Fire reaction class: 1 - LAPI |
| Swissolar Quality Certificate |



NOTE: All information contained in this data sheet is provided for general information purposes only. Product specifications may be subject to technical modifications. Reception, installation and use shall comply with the applicable Installation Manual, General Conditions of Sale and Warranty Terms and Conditions. The latest versions of all technical documentation are available at www.eurener.com.

SINCE
1997
more than
energy

eurener.com
contact@eurenerworld.com
+34 960 045 515
Calle Colón, 1-23
46004, Valencia. Spain

European experts in residential modules

Since 1997 our main purpose has been to supply quality and long-lasting photovoltaic modules that allow us and future generations, to continue generating clean energy to take care of our planet.

Icon Plus PERC

> 500W



Module efficiency
Module efficiency up to 21.06 %



Different designs
Black - Silver - Bicolour



PID resistance
Certified according to IEC TS 62804 standards



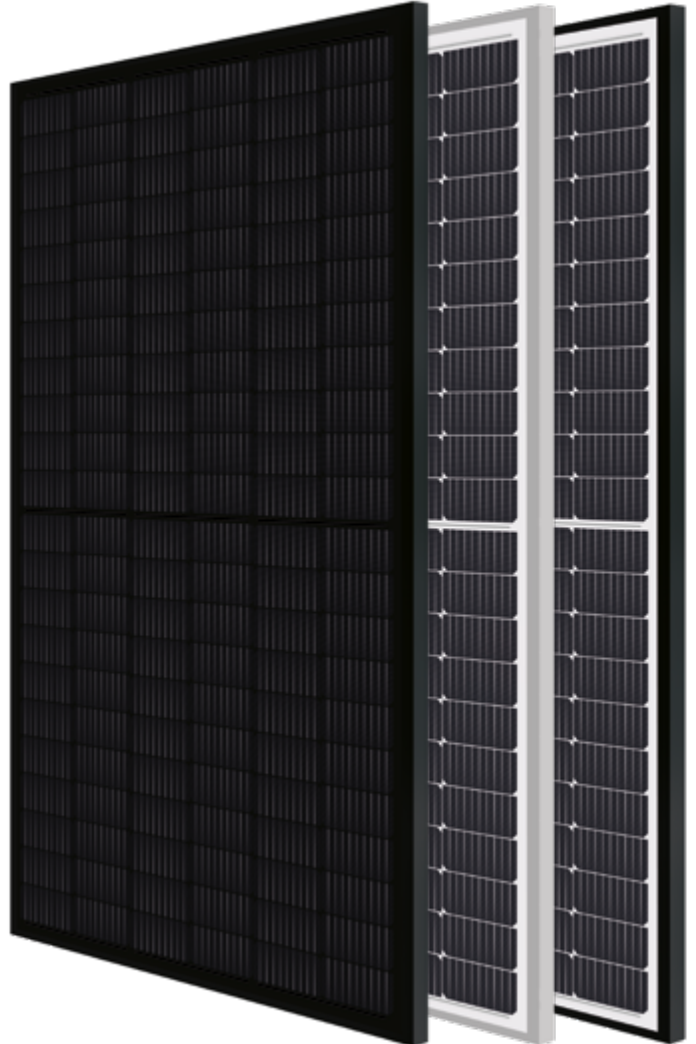
High reliability
Certified resistance against salt mist, dust, sand, and ammonia



Hail resistance
RG3/HW3 certified



Project versatility
For both residential and industrial roofs



20 Years

Product Warranty
+5 years for Premium Partners

30 Years

Performance Warranty
Linear Warranty

2% First year degradation

0.62% Annual degradation

80% Power in year 30

Light up your world with Eurener

Eurener's extensive portfolio of certifications and awards is testament to our unwavering commitment to our partners and our deep sense of social and ethical responsibility.



Spanish Quality Worldwide



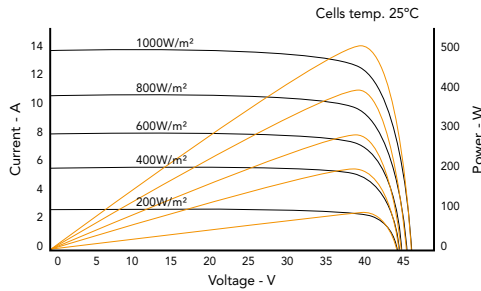
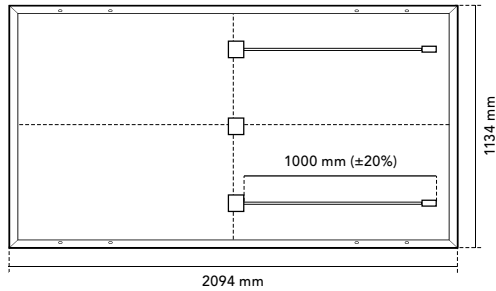
Awarded as TOP Brand PV



EcoVadis Platinum Medal
for three consecutive years



Eurener MEPV — ICON Plus 500W



| Mechanical specification | |
|--------------------------|--|
| Solar cells | Monocrystalline silicon cells |
| Front Glass | 3.2 mm thick tempered glass with high strength and ARC |
| Frame | Black/silver anodized aluminium |
| Junction Box | IP68, 3 by-pass diodes |
| Connector | Connector MC4 compatible |
| Cable | 1000 mm (±20%) length and 4 mm ² section |
| Dimension and packaging | 2094 x 1134 x 30 mm (±1%) › 792 pcs/truck 2094 x 1134 x 35 mm (±1%) › 682 pcs/truck |
| Area | 2.37 m ² |
| Weight | 26.3 kg |

| Temperature coefficients | |
|---|-----------------|
| Temperature coefficient of Isc (α) | 0.0445 %/°C |
| Temperature coefficient of Voc (β) | -0.275 %/°C |
| Temperature coefficient of Pmax (γ) | -0.35 %/°C |
| Temperature range | -40 °C ~ +85 °C |
| Nominal operating cell temperature (NOCT) | 45 ± 2 °C |

| Electrical characteristics | | MEPV 500 |
|-----------------------------|--|----------|
| | | STC |
| Nominal power. Pmax | | 500 Wp |
| Short-circuit current (Isc) | | 13.93 A |
| Open-circuit voltage (Voc) | | 45.59 V |
| Maximum power current (Imp) | | 13.04 A |
| Maximum power voltage (Vmp) | | 38.35 V |
| Module efficiency | | 21.06 % |
| | | NOCT |
| Nominal power. Pmax | | 378 Wp |
| Short-circuit current (Isc) | | 11.24 A |
| Open-circuit voltage (Voc) | | 43.08 V |
| Maximum power current (Imp) | | 10.53 A |
| Maximum power voltage (Vmp) | | 35.84 V |

* STC: 1000 W/m², module temperature 25°C, AM 1.5 * NOCT: 800 W/m², ambient temperature 20°C, AM 1.5

| Operating parameters | |
|--------------------------------|--|
| Maximum voltage | 1500 V |
| Maximum series fuse rating. Ir | 25 A |
| Power output tolerance | 0 - + 3 % |
| Voc and Isc tolerance | ± 3 % |
| Fire rating | Broof (t4) (EN 13501-5) Class A or C (UL 790) |
| Protection class | Class II (IEC 61140) |
| Mechanical loads | Front load 5400 Pa, Back load 2400 Pa |

| Corporate and product certificates | |
|--|--|
| ECOVADIS rating - Platinum Medal (TOP 1%) | |
| Solar Industry Forced Labor Prevention Pledge by SEIA | |
| ISO9001:2015 - Quality Management Systems | |
| ISO14001:2015 - Environmental Management System | |
| WEEE compliance in Germany | |
| PV CYCLE Italy | |
| IEC 61215 - Terrestrial photovoltaic (PV) modules - Design qualification and type approval | |
| IEC 61730 - Photovoltaic (PV) module safety qualification | |
| IEC 61701 - Photovoltaic (PV) modules - Salt mist corrosion testing | |
| IEC 62716 - Photovoltaic (PV) modules - Ammonia corrosion testing | |
| IEC TS 62804 - Photovoltaic (PV) modules - Test methods for the detection of potential-induced degradation | |
| Hail resistance HW3/RG3 | |
| Certificate of Factory Production Control (UK) - MCS | |
| Fire reaction class: 1 - LAPI | |
| Swissolar Quality Certificate | |



NOTE: All information contained in this data sheet is provided for general information purposes only. Product specifications may be subject to technical modifications. Reception, installation and use shall comply with the applicable Installation Manual, General Conditions of Sale and Warranty Terms and Conditions. The latest versions of all technical documentation are available at www.eurener.com.

SINCE 1997
more than energy

eurener.com
contact@eurenerworld.com
+34 960 045 515
Calle Colón, 1-23
46004, Valencia. Spain

European experts in residential modules

Since 1997 our main purpose has been to supply quality and long-lasting photovoltaic modules that allow us and future generations, to continue generating clean energy to take care of our planet.

Icon Plus PERC

> 550W

+21.3%

Module efficiency

Module efficiency up to 21.30 %



PID resistance

Certified according to IEC TS 62804 standards



High reliability

Certified resistance against salt mist, dust, sand, and ammonia



Hail resistance

RG3/HW3 certified



Increased PV surface

Higher power output for commercial and ground projects



Optimized BOS

Lower structure, materials and wiring costs



20 Years

Product Warranty

+5 years for Premium Partners

30 Years

Performance Warranty

Linear Warranty

2% First year degradation

0.62% Annual degradation

80% Power in year 30

Light up your world with Eurener

Eurener's extensive portfolio of certifications and awards is testament to our unwavering commitment to our partners and our deep sense of social and ethical responsibility.



Spanish Quality Worldwide



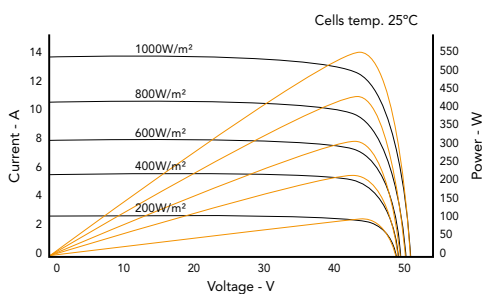
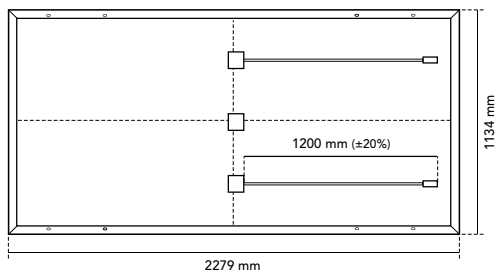
Awarded as TOP Brand PV



EcoVadis Platinum Medal for three consecutive years



Eurener MEPV — ICON Plus 550W



| Mechanical specification | |
|--------------------------|--|
| Solar cells | Monocrystalline silicon cells |
| Front Glass | 3.2 mm thick tempered glass with high strength and ARC |
| Frame | Silver anodized aluminium |
| Junction Box | IP68, 3 by-pass diodes |
| Connector | Connector MC4 compatible |
| Cable | 1200 mm (±20%) length and 4 mm ² section |
| Dimension and packaging | 2279 x 1134 x 30 mm (±1%) › 720 pcs/truck 2279 x 1134 x 35 mm (±1%) › 620 pcs/truck |
| Area | 2.58 m ² |
| Weight | 28 kg |

| Temperature coefficients | |
|---|-----------------|
| Temperature coefficient of Isc (α) | 0.045 %/°C |
| Temperature coefficient of Voc (β) | -0.275 %/°C |
| Temperature coefficient of Pmax (γ) | -0.35 %/°C |
| Temperature range | -40 °C ~ +85 °C |
| Nominal operating cell temperature (NOCT) | 43 ± 2 °C |

| | | MEPV 550 |
|-----------------------------------|--|----------|
| Electrical characteristics | | STC |
| Nominal power. Pmax | | 550 Wp |
| Short-circuit current (Isc) | | 13.96 A |
| Open-circuit voltage (Voc) | | 49.85 V |
| Maximum power current (Imp) | | 13.19 A |
| Maximum power voltage (Vmp) | | 41.72 V |
| Module efficiency | | 21.30 % |
| Electrical characteristics | | NOCT |
| Nominal power. Pmax | | 416 Wp |
| Short-circuit current (Isc) | | 11.16 A |
| Open-circuit voltage (Voc) | | 47.12 V |
| Maximum power current (Imp) | | 10.59 A |
| Maximum power voltage (Vmp) | | 39.28 V |

* STC: 1000 W/m², module temperature 25°C, AM 1.5

* NOCT: 800 W/m², ambient temperature 20°C, AM 1.5

| Operating parameters | |
|--------------------------------|--|
| Maximum voltage | 1500 V |
| Maximum series fuse rating. Ir | 25 A |
| Power output tolerance | 0 - + 3 % |
| Voc and Isc tolerance | ± 3 % |
| Fire rating | Broof (t4) (EN 13501-5) Class A or C (UL 790) |
| Protection class | Class II (IEC 61140) |
| Mechanical loads | Front load 5400 Pa, Back load 2400 Pa |

| Corporate and product certificates |
|--|
| ECOVADIS rating - Platinum Medal (TOP 1%) |
| Solar Industry Forced Labor Prevention Pledge by SEIA |
| ISO9001:2015 - Quality Management Systems |
| ISO14001:2015 - Environmental Management System |
| WEEE compliance in Germany |
| PV CYCLE Italy |
| IEC 61215 - Terrestrial photovoltaic (PV) modules - Design qualification and type approval |
| IEC 61730 - Photovoltaic (PV) module safety qualification |
| IEC 61701 - Photovoltaic (PV) modules - Salt mist corrosion testing |
| IEC 62716 - Photovoltaic (PV) modules - Ammonia corrosion testing |
| IEC TS 62804 - Photovoltaic (PV) modules - Test methods for the detection of potential-induced degradation |
| Hail resistance HW3/RG3 |
| Certificate of Factory Production Control (UK) - MCS |
| Fire reaction class: 1 - LAPI |
| Swissolar Quality Certificate |



NOTE: All information contained in this data sheet is provided for general information purposes only. Product specifications may be subject to technical modifications. Reception, installation and use shall comply with the applicable Installation Manual, General Conditions of Sale and Warranty Terms and Conditions. The latest versions of all technical documentation are available at www.eurener.com.

SINCE 1997
more than energy

eurener.com
contact@eurenerworld.com
+34 960 045 515
Calle Colón, 1-23
46004, Valencia. Spain

European experts in residential modules

Since 1997 our main purpose has been to supply quality and long-lasting photovoltaic modules that allow us and future generations, to continue generating clean energy to take care of our planet.

Icon Plus PERC

FRONT SIDE

550W

› Double Glass Bifacial

+21.3%

Module efficiency

Module efficiency up to 21.30 %



Bifacial cell

Bifaciality factor: 70 ± 5 %



Hail resistance

RG3/HW3 certified



Sustainable product

High percentage of recyclable materials



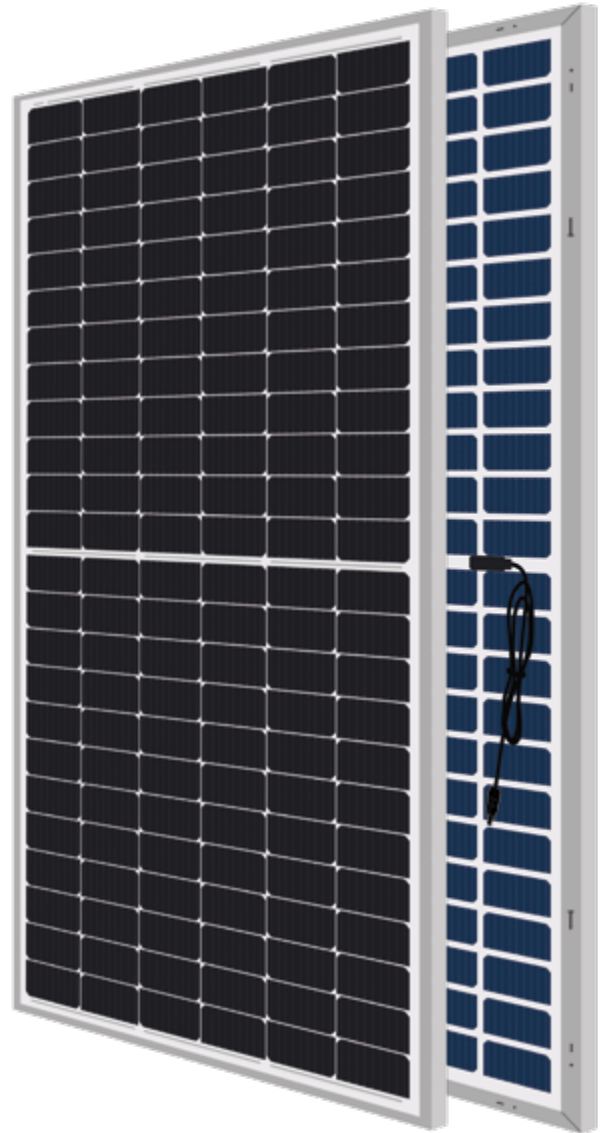
Increased PV surface

Higher power output for commercial and ground projects



Optimized BOS

Lower structure, materials and wiring costs



25

Years

Product Warranty

+5 years for Premium Partners

30

Years

Performance Warranty

Linear Warranty

2% First year degradation

0.62% Annual degradation

80% Power in year 30

Light up your world with Eurener

Eurener's extensive portfolio of certifications and awards is testament to our unwavering commitment to our partners and our deep sense of social and ethical responsibility.



Spanish Quality Worldwide



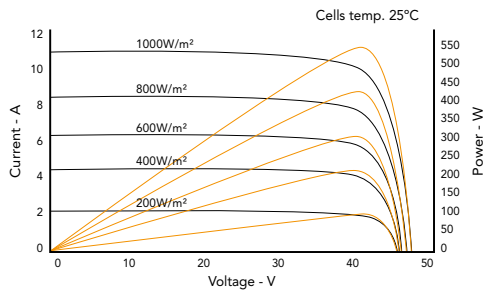
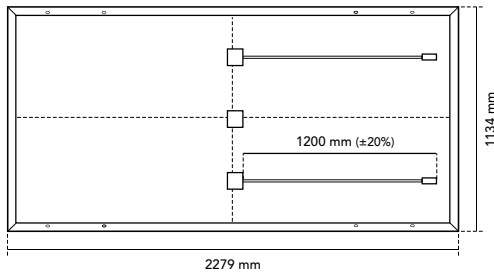
Awarded as TOP Brand PV



EcoVadis Platinum Medal for three consecutive years



Eurener MEPV — ICON Plus Double Glass Bifacial 550W



| Mechanical specification | |
|--------------------------|---|
| Solar cells | Bifacial monocrystalline silicon cells |
| Front Glass | 2 mm anti-reflective surface tempered solar glass |
| Back Glass | 2 mm tempered solar glass |
| Frame | Silver anodized aluminium |
| Junction Box | IP68, 3 by-pass diodes |
| Connector | Connector MC4 compatible |
| Cable | 1200 mm (±20%) length and 4 mm ² section |
| Dimension | 2279 x 1134 x 30 mm (±1%) |
| Area | 2.58 m ² |
| Weight | 33 kg |
| Packaging | 720 pcs/truck |

| Temperature coefficients | |
|---|-----------------|
| Temperature coefficient of Isc (α) | 0.045 %/°C |
| Temperature coefficient of Voc (β) | -0.275 %/°C |
| Temperature coefficient of Pmax (γ) | -0.35 %/°C |
| Temperature range | -40 °C ~ +85 °C |
| Nominal operating cell temperature (NOCT) | 43 ± 2 °C |

| | MEPV 550 | |
|-----------------------------|-------------------|---------|
| Electrical characteristics | STC | NOCT |
| Nominal power. Pmax | 550 Wp | 416 Wp |
| Short-circuit current (Isc) | 13.96 A | 11.16 A |
| Open-circuit voltage (Voc) | 49.85 V | 47.12 V |
| Maximum power current (Imp) | 13.19 A | 10.59 A |
| Maximum power voltage (Vmp) | 41.72 V | 39.28 V |
| Module efficiency | 21.30 % | |
| Electrical characteristics | Bifacial gain 10% | |
| Nominal power. Pmax | 605 Wp | |
| Short-circuit current (Isc) | 15.35 A | |
| Open-circuit voltage (Voc) | 49.85 V | |
| Maximum power current (Imp) | 14.50 A | |
| Maximum power voltage (Vmp) | 41.72 V | |

* STC: 1000 W/m², module temperature 25°C, AM 1.5

* NOCT: 800 W/m², ambient temperature 20°C, AM 1.5

| Operating parameters | |
|--------------------------------|--|
| Maximum voltage | 1500 V |
| Maximum series fuse rating. Ir | 20 A |
| Power output tolerance | 0 - + 3 % |
| Voc and Isc tolerance | ± 3 % |
| Fire rating | Broof (t4) (EN 13501-5) Class A or C (UL 790) |
| Protection class | Class II (IEC 61140) |
| Mechanical loads | Front load 5400 Pa, Back load 2400 Pa |

| Corporate and product certificates |
|--|
| ECOVADIS rating - Platinum Medal (TOP 1%) |
| Solar Industry Forced Labor Prevention Pledge by SEIA |
| ISO9001:2015 - Quality Management Systems |
| ISO14001:2015 - Environmental Management System |
| WEEE compliance in Germany |
| PV CYCLE Italy |
| IEC 61215 - Terrestrial photovoltaic (PV) modules - Design qualification and type approval |
| IEC 61730 - Photovoltaic (PV) module safety qualification |
| IEC 61701 - Photovoltaic (PV) modules - Salt mist corrosion testing |
| IEC 62716 - Photovoltaic (PV) modules - Ammonia corrosion testing |
| IEC TS 62804 - Photovoltaic (PV) modules - Test methods for the detection of potential-induced degradation |
| Hail resistance HW3/RG3 |
| Certificate of Factory Production Control (UK) - MCS |
| Fire reaction class: 1 - LAPI |
| Swissolar Quality Certificate |



NOTE: All information contained in this data sheet is provided for general information purposes only. Product specifications may be subject to technical modifications. Reception, installation and use shall comply with the applicable Installation Manual, General Conditions of Sale and Warranty Terms and Conditions. The latest versions of all technical documentation are available at www.eurener.com.

SINCE 1997
more than energy

eurener.com
contact@eurenerworld.com
+34 960 045 515
Calle Colón, 1-23
46004, Valencia. Spain

European experts in residential modules

Since 1997 our main purpose has been to supply quality and long-lasting photovoltaic modules that allow us and future generations, to continue generating clean energy to take care of our planet.



BANGLADESH
Solar on roof structure



MEPV AGRO Series

✎ *Solar innovation for agrovoltatics and beyond*

Harvest the sun's brightness with our versatile solar panels for agrovoltatics, carports, and resilient greenhouses.

AGRO — PERC TECHNOLOGY

› from 260 to 365W



High transparency

A special cell disposition allows a high percentage of light to pass through the module.



Wide variety of applications

Perfect for integration in greenhouses and agrovoltaic applications.

Also suitable for carports or other types of roofs.



Bifacial cells

Bifaciality grants the possibility of increasing the power output thanks to the production from the rear side of the cells depending on albedo.



Hail resistance RG3/HW3

Certified resistance against hail impacts of 30 mm diameter at 23.9 m/s.

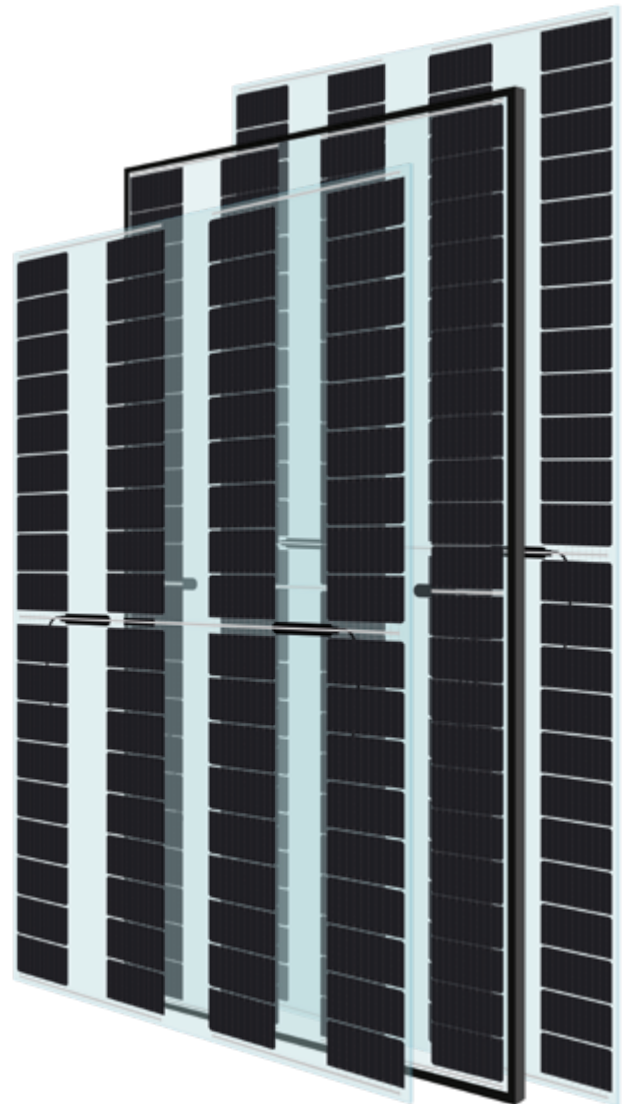


Sustainability

Resistant and long-lasting modules with high percentage of recyclable materials.

25 Product Warranty

30 Performance Warranty





PERC TECHNOLOGY

MEPV AGRO Series

‣ DATA SHEETS

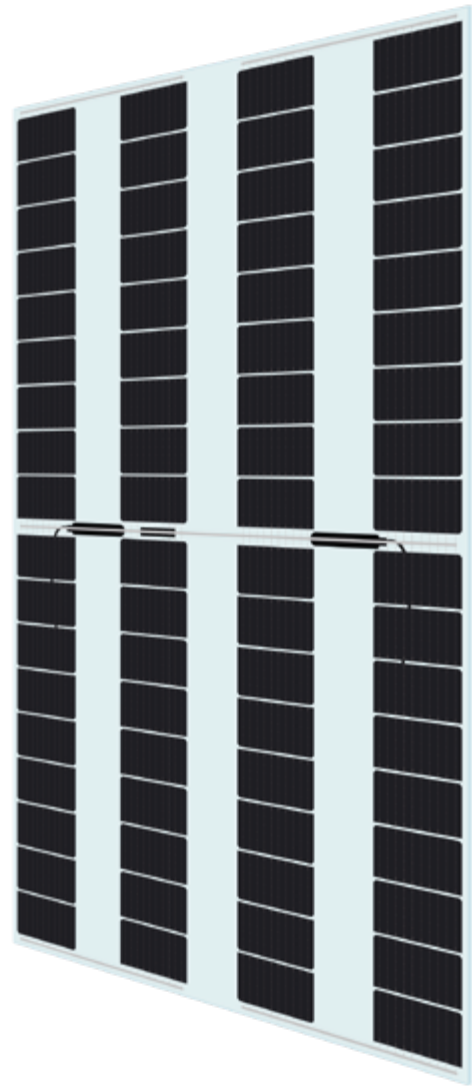
- Eurener MEPV Agro DG Bif 260-275W
pag. 95/96
- Eurener MEPV Agro DG Bif 325-335W
pag. 97/98
- Eurener MEPV Agro DG Bif 345-365W
pag. 99/100

Agro PERC

FRONT SIDE

260 - 275 W

› Double Glass Bifacial



Module efficiency

Module efficiency up to 14.20 %



45% Transmittance

High percentage of light can pass through it



Versatility

For greenhouses, carports or other roofs



Bifacial cell

Extra energy generated from the backside of the cell depending on albedo



Sustainable product

High percentage of recyclable materials



Hail resistance

RG3/HW3 certified

25

Years

Product Warranty

+5 years for Premium Partners

30

Years

Performance Warranty

Linear Warranty

2% First year degradation

0.55% Annual degradation

82.05% Power in year 30

Light up your world with Eurener

Eurener's extensive portfolio of certifications and awards is testament to our unwavering commitment to our partners and our deep sense of social and ethical responsibility.



Spanish Quality Worldwide



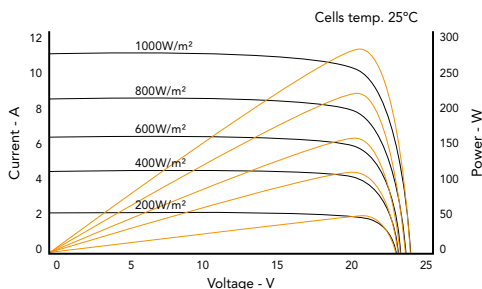
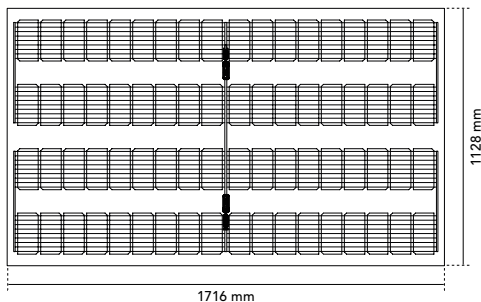
Awarded as TOP Brand PV



EcoVadis Platinum Medal for three consecutive years



Eurener MEPV — AGRO Double Glass Bifacial 260-275W



| Mechanical specification | |
|--------------------------|---|
| Solar cells | Bifacial monocrystalline silicon cells |
| Front Glass | 2 mm anti-reflective surface tempered solar glass |
| Back Glass | 2 mm tempered solar glass |
| Frame | Frameless |
| Junction Box | IP68, 3 by-pass diodes |
| Connector | Connector MC4 compatible |
| Cable | 1000 mm (±20%) length and 4 mm² section |
| Dimension | 1716 x 1128 mm (±1%) |
| Area | 1.94 m² |
| Weight | 25.5 kg |

| Temperature coefficients | |
|---|-----------------|
| Temperature coefficient of Isc (α) | 0.04 %/°C |
| Temperature coefficient of Voc (β) | -0.28 %/°C |
| Temperature coefficient of Pmax (γ) | -0.35 %/°C |
| Temperature range | -40 °C ~ +85 °C |
| Nominal operating cell temperature (NOCT) | 43 ± 2 °C |

| Electrical characteristics | MEPV 260 | | MEPV 265 | | MEPV 270 | | MEPV 275 | |
|-----------------------------|-------------------|---------|----------|---------|----------|---------|----------|---------|
| | STC | NOCT | STC | NOCT | STC | NOCT | STC | NOCT |
| Nominal power. Pmax | 260 Wp | 194 Wp | 265 Wp | 198 Wp | 270 Wp | 201 Wp | 275 Wp | 205 Wp |
| Short-circuit current (Isc) | 13.54 A | 10.92 A | 13.64 A | 11.02 A | 13.75 A | 11.09 A | 13.84 A | 11.18 A |
| Open-circuit voltage (Voc) | 24.21 V | 22.90 V | 24.39 V | 23.12 V | 24.69 V | 23.26 V | 24.96 V | 23.53 V |
| Maximum power current (Imp) | 12.95 A | 10.27 A | 13.06 A | 10.39 A | 13.15 A | 10.43 A | 13.19 A | 10.50 A |
| Maximum power voltage (Vmp) | 20.11 V | 18.90 V | 20.32 V | 19.03 V | 20.55 V | 19.29 V | 20.86 V | 19.50 V |
| Module efficiency | 13.45 % | | 13.71 % | | 13.96 % | | 14.20 % | |
| Electrical characteristics | Bifacial gain 10% | | | | | | | |
| Nominal power. Pmax | 286 Wp | | 292 Wp | | 297 Wp | | 302 Wp | |
| Short-circuit current (Isc) | 14.90 A | | 15.00 A | | 15.12 A | | 15.22 A | |
| Open-circuit voltage (Voc) | 24.21 V | | 24.39 V | | 24.69 V | | 24.96 V | |
| Maximum power current (Imp) | 14.22 A | | 14.35 A | | 14.45 A | | 14.50 A | |
| Maximum power voltage (Vmp) | 20.11 V | | 20.32 V | | 20.55 V | | 20.86 V | |

* STC: 1000 W/m², module temperature 25°C, AM 1.5

* NOCT: 800 W/m², ambient temperature 20°C, AM 1.5

| Operating parameters | |
|--------------------------------|--|
| Maximum voltage | 1500 V |
| Maximum series fuse rating. Ir | 30 A |
| Power output tolerance | 0 - + 3 % |
| Voc and Isc tolerance | ± 3 % |
| Fire rating | Broof (t4) (EN 13501-5) Class A or C (UL 790) |
| Protection class | Class II (IEC 61140) |
| Mechanical loads | Front load 5400 Pa, Back load 2400 Pa |

| Corporate and product certificates |
|--|
| ECOVADIS rating - Platinum Medal (TOP 1%) |
| Solar Industry Forced Labor Prevention Pledge by SEIA |
| ISO9001:2015 - Quality Management Systems |
| ISO14001:2015 - Environmental Management System |
| WEEE compliance in Germany |
| PV CYCLE Italy |
| IEC 61215 - Terrestrial photovoltaic (PV) modules - Design qualification and type approval |
| IEC 61730 - Photovoltaic (PV) module safety qualification |
| IEC 61701 - Photovoltaic (PV) modules - Salt mist corrosion testing |
| IEC 62716 - Photovoltaic (PV) modules - Ammonia corrosion testing |
| IEC TS 62804 - Photovoltaic (PV) modules - Test methods for the detection of potential-induced degradation |
| Hail resistance HW3/RG3 |
| Certificate of Factory Production Control (UK) - MCS |
| Fire reaction class: 1 - LAPI |
| Swissolar Quality Certificate |



NOTE: All information contained in this data sheet is provided for general information purposes only. Product specifications may be subject to technical modifications. Reception, installation and use shall comply with the applicable Installation Manual, General Conditions of Sale and Warranty Terms and Conditions. The latest versions of all technical documentation are available at www.eurener.com.

SINCE 1997
more than energy

eurener.com
contact@eurenerworld.com
+34 960 045 515
Calle Colón, 1-23
46004, Valencia. Spain

European experts in residential modules

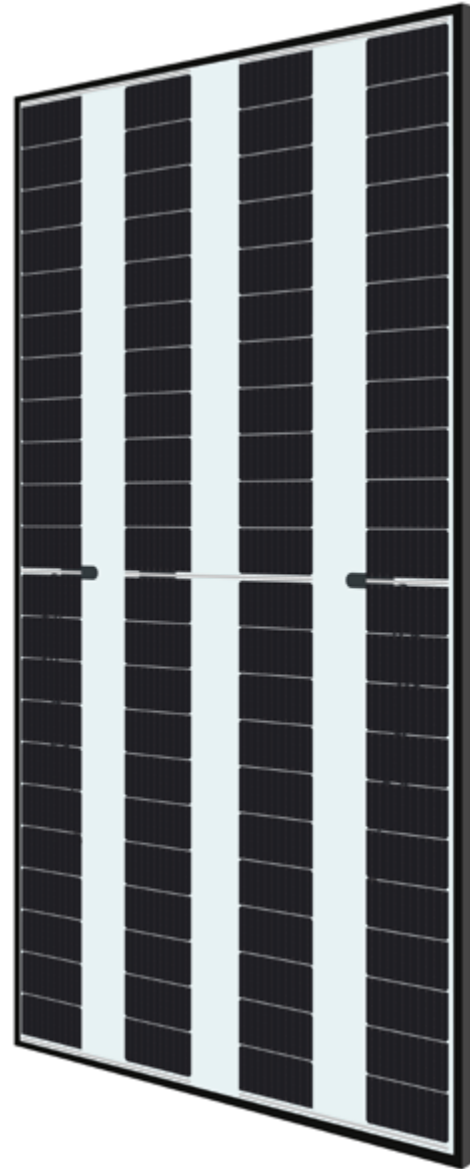
Since 1997 our main purpose has been to supply quality and long-lasting photovoltaic modules that allow us and future generations, to continue generating clean energy to take care of our planet.

Agro PERC

FRONT SIDE

325 - 335 W

› Double Glass Bifacial



Module efficiency

Module efficiency up to 14.15 %



36% Transmittance

High percentage of light can pass through it



Versatility

For greenhouses, carports or other roofs



Bifacial cell

Extra energy generated from the backside of the cell depending on albedo



Sustainable product

High percentage of recyclable materials



Hail resistance

RG3/HW3 certified

25

Years

Product Warranty

+5 years for Premium Partners

30

Years

Performance Warranty

Linear Warranty

2% First year degradation

0.55% Annual degradation

82.05% Power in year 30

Light up your world with Eurener

Eurener's extensive portfolio of certifications and awards is testament to our unwavering commitment to our partners and our deep sense of social and ethical responsibility.



Spanish Quality Worldwide



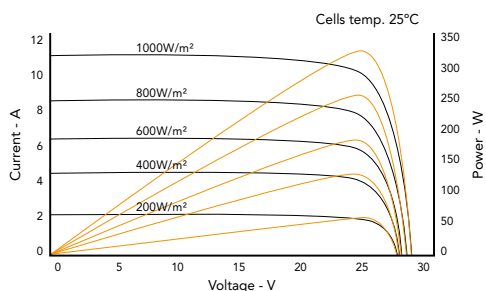
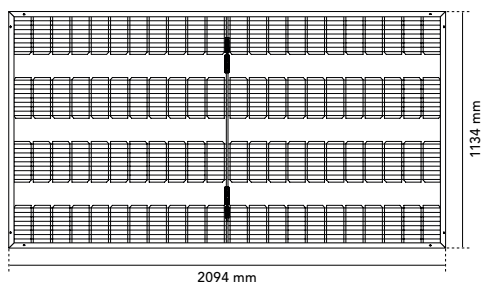
Awarded as TOP Brand PV



EcoVadis Platinum Medal for three consecutive years



Eurener MEPV — AGRO Double Glass Bifacial 325-335W



| Mechanical specification | |
|--------------------------|---|
| Solar cells | Bifacial monocrystalline silicon cells |
| Front Glass | 2 mm anti-reflective surface tempered solar glass |
| Back Glass | 2 mm tempered solar glass |
| Frame | Black anodized aluminium |
| Junction Box | IP68, 3 by-pass diodes |
| Connector | Connector MC4 compatible |
| Cable | 1200 mm (±20%) length and 4 mm ² section |
| Dimension | 2094 x 1134 x 30 mm (±1%) |
| Area | 2.37 m ² |
| Weight | 30 kg |
| Packaging | 792 pcs/truck |

| Temperature coefficients | |
|---|-----------------|
| Temperature coefficient of Isc (α) | 0.04 %/°C |
| Temperature coefficient of Voc (β) | -0.28 %/°C |
| Temperature coefficient of Pmax (γ) | -0.35 %/°C |
| Temperature range | -40 °C ~ +85 °C |
| Nominal operating cell temperature (NOCT) | 43 ± 2 °C |

| Electrical characteristics | MEPV 325 | | MEPV 330 | | MEPV 335 | |
|-----------------------------|----------|---------|----------|---------|----------|---------|
| | STC | NOCT | STC | NOCT | STC | NOCT |
| Nominal power. Pmax | 325 Wp | 247 Wp | 330 Wp | 251 Wp | 335 Wp | 255 Wp |
| Short-circuit current (Isc) | 13.54 A | 10.96 A | 13.76 A | 11.14 A | 13.93 A | 11.31 A |
| Open-circuit voltage (Voc) | 30.31 V | 28.77 V | 30.47 V | 28.96 V | 30.68 V | 29.13 V |
| Maximum power current (Imp) | 12.88 A | 10.45 A | 12.97 A | 10.53 A | 13.13 A | 10.62 A |
| Maximum power voltage (Vmp) | 25.26 V | 23.70 V | 25.46 V | 23.87 V | 25.55 V | 24.05 V |
| Module efficiency | 13.67 % | | 13.93 % | | 14.15 % | |

| Electrical characteristics | Bifacial gain 10% | | |
|-----------------------------|-------------------|----------|----------|
| | MEPV 325 | MEPV 330 | MEPV 335 |
| Nominal power. Pmax | 358 Wp | 363 Wp | 369 Wp |
| Short-circuit current (Isc) | 14.89 A | 15.14 A | 15.32 A |
| Open-circuit voltage (Voc) | 30.31 V | 30.47 V | 30.68 V |
| Maximum power current (Imp) | 14.15 A | 14.26 A | 14.42 A |
| Maximum power voltage (Vmp) | 25.26 V | 25.46 V | 25.55 V |

* STC: 1000 W/m², module temperature 25°C, AM 1.5

* NOCT: 800 W/m², ambient temperature 20°C, AM 1.5

| Operating parameters | |
|--------------------------------|--|
| Maximum voltage | 1500 V |
| Maximum series fuse rating. Ir | 30 A |
| Power output tolerance | 0 - + 3 % |
| Voc and Isc tolerance | ± 3 % |
| Fire rating | Broof (t4) (EN 13501-5) Class A or C (UL 790) |
| Protection class | Class II (IEC 61140) |
| Mechanical loads | Front load 5400 Pa, Back load 2400 Pa |

| Corporate and product certificates |
|--|
| ECOVADIS rating - Platinum Medal (TOP 1%) |
| Solar Industry Forced Labor Prevention Pledge by SEIA |
| ISO9001:2015 - Quality Management Systems |
| ISO14001:2015 - Environmental Management System |
| WEEE compliance in Germany |
| PV CYCLE Italy |
| IEC 61215 - Terrestrial photovoltaic (PV) modules - Design qualification and type approval |
| IEC 61730 - Photovoltaic (PV) module safety qualification |
| IEC 61701 - Photovoltaic (PV) modules - Salt mist corrosion testing |
| IEC 62716 - Photovoltaic (PV) modules - Ammonia corrosion testing |
| IEC TS 62804 - Photovoltaic (PV) modules - Test methods for the detection of potential-induced degradation |
| Hail resistance HW3/RG3 |
| Certificate of Factory Production Control (UK) - MCS |
| Fire reaction class: 1 - LAPI |
| Swissolar Quality Certificate |



NOTE: All information contained in this data sheet is provided for general information purposes only. Product specifications may be subject to technical modifications. Reception, installation and use shall comply with the applicable Installation Manual, General Conditions of Sale and Warranty Terms and Conditions. The latest versions of all technical documentation are available at www.eurener.com.

SINCE
1997
more than
energy

eurener.com
contact@eurenerworld.com
+34 960 045 515
Calle Colón, 1-23
46004, Valencia. Spain

European experts in residential modules

Since 1997 our main purpose has been to supply quality and long-lasting photovoltaic modules that allow us and future generations, to continue generating clean energy to take care of our planet.

Agro PERC

FRONT SIDE

345 - 365 W

› Double Glass Bifacial



Module efficiency

Module efficiency up to 14.24 %



30% Transmittance

High percentage of light can pass through it



Versatility

For greenhouses, carports or other roofs



Bifacial cell

Extra energy generated from the backside of the cell depending on albedo



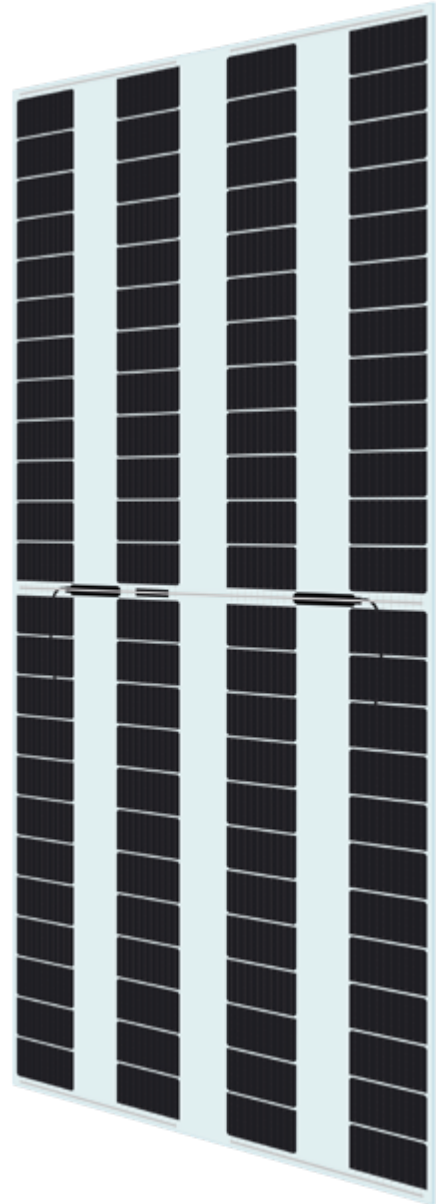
Sustainable product

High percentage of recyclable materials



Hail resistance

RG3/HW3 certified



25

Years

Product Warranty

+5 years for Premium Partners

30

Years

Performance Warranty

Linear Warranty

2% First year degradation

0.55% Annual degradation

82.05% Power in year 30

Light up your world with Eurener

Eurener's extensive portfolio of certifications and awards is testament to our unwavering commitment to our partners and our deep sense of social and ethical responsibility.



Spanish Quality Worldwide



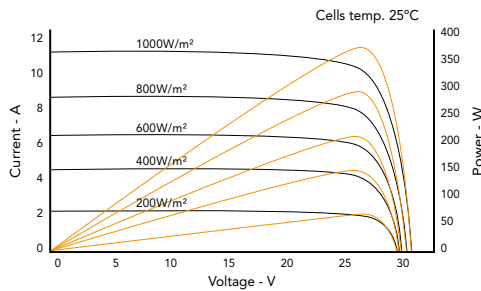
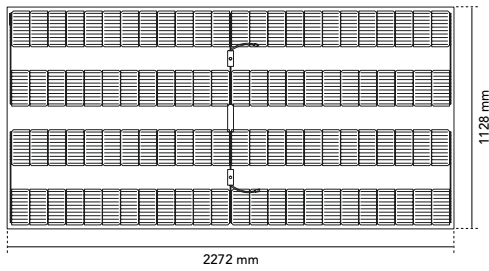
Awarded as TOP Brand PV



EcoVadis Platinum Medal
for three consecutive years



Eurener MEPV — AGRO Double Glass Bifacial 345-365W



| Mechanical specification | |
|--------------------------|---|
| Solar cells | Bifacial monocrystalline silicon cells |
| Front Glass | 2 mm anti-reflective surface tempered solar glass |
| Back Glass | 2 mm tempered solar glass |
| Frame | Frameless |
| Junction Box | IP68, 3 by-pass diodes |
| Connector | Connector MC4 compatible |
| Cable | 1200 mm (±20%) length and 4 mm² section |
| Dimension | 2272 x 1128 mm (±1%) |
| Area | 2.56 m² |
| Weight | 26.8 kg |

| Temperature coefficients | |
|---|-----------------|
| Temperature coefficient of Isc (α) | 0.04 %/°C |
| Temperature coefficient of Voc (β) | -0.28 %/°C |
| Temperature coefficient of Pmax (γ) | -0.35 %/°C |
| Temperature range | -40 °C ~ +85 °C |
| Nominal operating cell temperature (NOCT) | 43 ± 2 °C |

| Electrical characteristics | MEPV 345 | | MEPV 350 | | MEPV 355 | | MEPV 360 | | MEPV 365 | |
|-----------------------------|-------------------|---------|----------|---------|----------|---------|----------|---------|----------|---------|
| | STC | NOCT | STC | NOCT | STC | NOCT | STC | NOCT | STC | NOCT |
| Nominal power. Pmax | 345 Wp | 257 Wp | 350 Wp | 261 Wp | 355 Wp | 265 Wp | 360 Wp | 268 Wp | 365 Wp | 272 Wp |
| Short-circuit current (Isc) | 13.74 A | 11.10 A | 13.90 A | 11.21 A | 13.97 A | 11.27 A | 14.01 A | 11.32 A | 14.07 A | 11.36 A |
| Open-circuit voltage (Voc) | 31.87 V | 29.95 V | 32.05 V | 30.27 V | 32.39 V | 30.38 V | 32.59 V | 30.67 V | 32.80 V | 30.98 V |
| Maximum power current (Imp) | 12.88 A | 10.34 A | 12.96 A | 10.40 A | 13.07 A | 10.45 A | 13.15 A | 10.53 A | 13.20 A | 10.59 A |
| Maximum power voltage (Vmp) | 26.80 V | 24.85 V | 27.02 V | 25.05 V | 27.18 V | 25.37 V | 27.39 V | 25.43 V | 27.68 V | 25.76 V |
| Module efficiency | 13.46 % | | 13.66 % | | 13.85 % | | 14.05 % | | 14.24 % | |
| Electrical characteristics | Bifacial gain 10% | | | | | | | | | |
| Nominal power. Pmax | 380 Wp | | 385 Wp | | 391 Wp | | 396 Wp | | 402 Wp | |
| Short-circuit current (Isc) | 15.11 A | | 15.29 A | | 15.36 A | | 15.41 A | | 15.48 A | |
| Open-circuit voltage (Voc) | 31.87 V | | 32.05 V | | 32.39 V | | 32.59 V | | 32.80 V | |
| Maximum power current (Imp) | 14.16 A | | 14.25 A | | 14.37 A | | 14.46 A | | 14.51 A | |
| Maximum power voltage (Vmp) | 26.80 V | | 27.02 V | | 27.18 V | | 27.39 V | | 27.68 V | |

* STC: 1000 W/m², module temperature 25°C, AM 1.5

* NOCT: 800 W/m², ambient temperature 20°C, AM 1.5

| Operating parameters | |
|--------------------------------|--|
| Maximum voltage | 1500 V |
| Maximum series fuse rating. Ir | 30 A |
| Power output tolerance | 0 - + 3 % |
| Voc and Isc tolerance | ± 3 % |
| Fire rating | Broof (t4) (EN 13501-5) Class A or C (UL 790) |
| Protection class | Class II (IEC 61140) |
| Mechanical loads | Front load 5400 Pa, Back load 2400 Pa |

| Corporate and product certificates |
|--|
| ECOVADIS rating - Platinum Medal (TOP 1%) |
| Solar Industry Forced Labor Prevention Pledge by SEIA |
| ISO9001:2015 - Quality Management Systems |
| ISO14001:2015 - Environmental Management System |
| WEEE compliance in Germany |
| PV CYCLE Italy |
| IEC 61215 - Terrestrial photovoltaic (PV) modules - Design qualification and type approval |
| IEC 61730 - Photovoltaic (PV) module safety qualification |
| IEC 61701 - Photovoltaic (PV) modules - Salt mist corrosion testing |
| IEC 62716 - Photovoltaic (PV) modules - Ammonia corrosion testing |
| IEC TS 62804 - Photovoltaic (PV) modules - Test methods for the detection of potential-induced degradation |
| Hail resistance HW3/RG3 |
| Certificate of Factory Production Control (UK) - MCS |
| Fire reaction class: 1 - LAPI |
| Swissolar Quality Certificate |



NOTE: All information contained in this data sheet is provided for general information purposes only. Product specifications may be subject to technical modifications. Reception, installation and use shall comply with the applicable Installation Manual, General Conditions of Sale and Warranty Terms and Conditions. The latest versions of all technical documentation are available at www.eurener.com.

SINCE 1997
more than energy

eurener.com
contact@eurenerworld.com
+34 960 045 515
Calle Colón, 1-23
46004, Valencia. Spain

European experts in residential modules

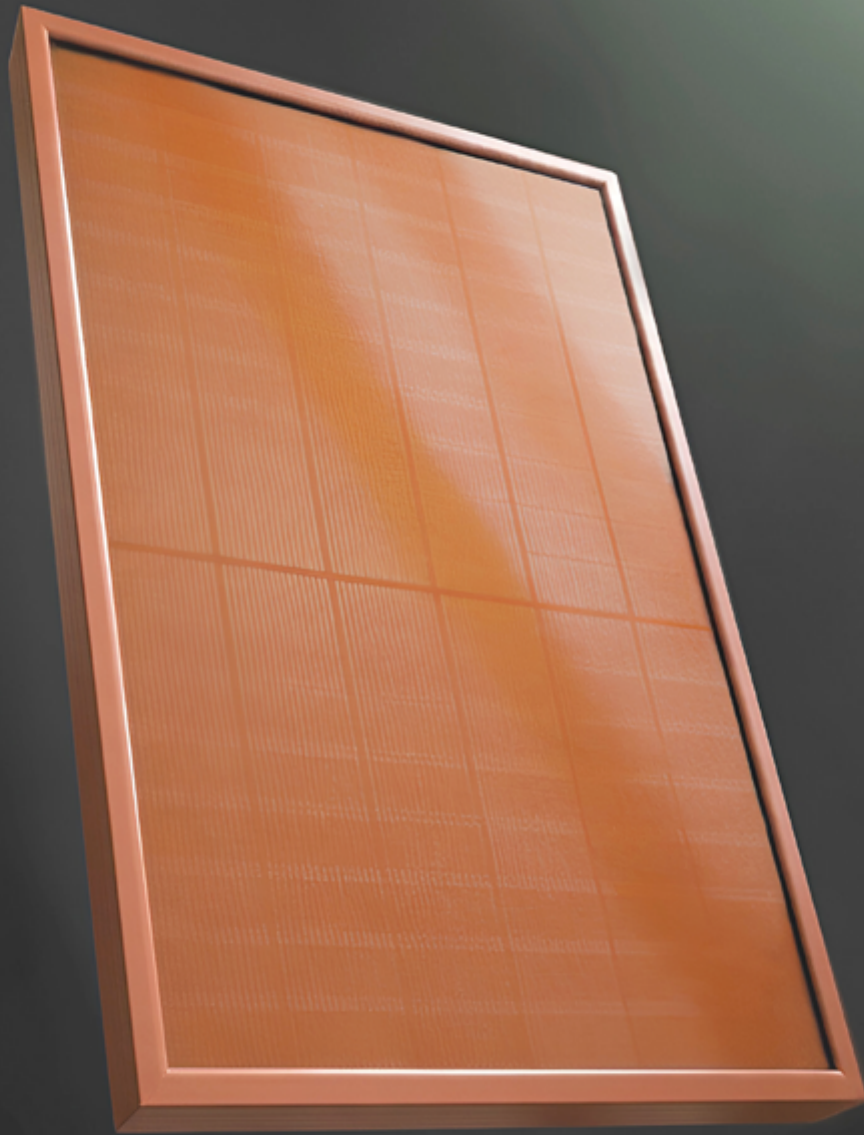
Since 1997 our main purpose has been to supply quality and long-lasting photovoltaic modules that allow us and future generations, to continue generating clean energy to take care of our planet.





Linköping, SWEDEN
Residential solar powered





eurener
energía solar

MORE THAN ENERGY
www.eurener.com