

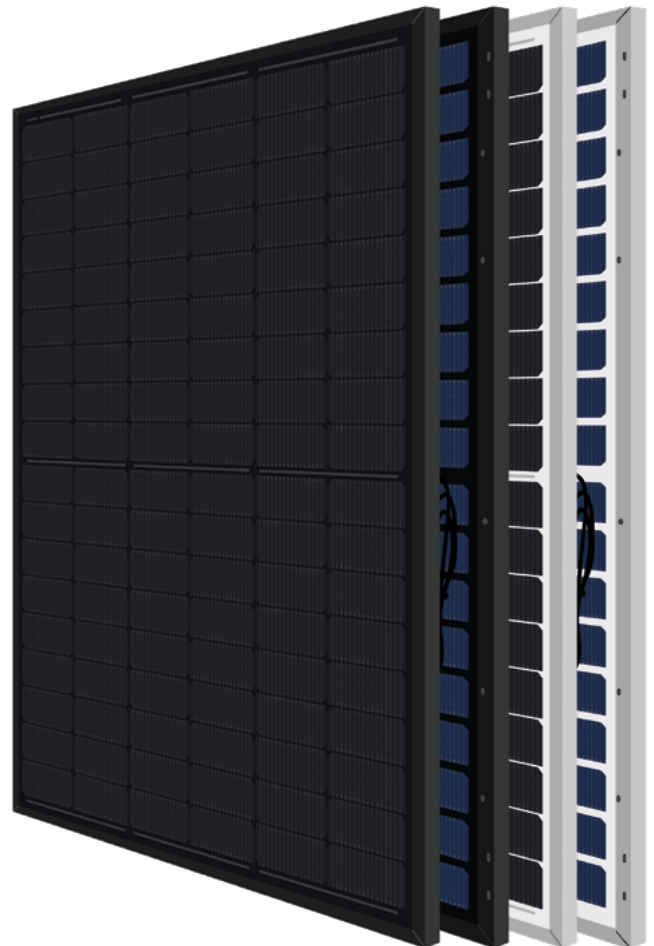


Nexa Storm TOPCon N-type

FRONT SIDE

420 - 450W

› Double Glass Bifacial



Hail resistance
RG4/HW4 certified



Glass glass modules
Front: 3.2 mm | Back: 2 mm



Module efficiency
Module efficiency up to 23.04 %



Bifacial cell
Bifaciality factor: 80 ± 5 %



PFAS free
Product free from perfluoroalkyl and polyfluoroalkyl substances



Sustainable product
High percentage of recyclable materials

25 Years

Product Warranty
+5 years for Premium Partners

30 Years

Performance Warranty
Linear Warranty

1% First year degradation

0.38% Annual degradation

88% Power in year 30

Light up your world with Eurener

Eurener's extensive portfolio of certifications and awards is testament to our unwavering commitment to our partners and our deep sense of social and ethical responsibility.



Spanish Quality
Worldwide



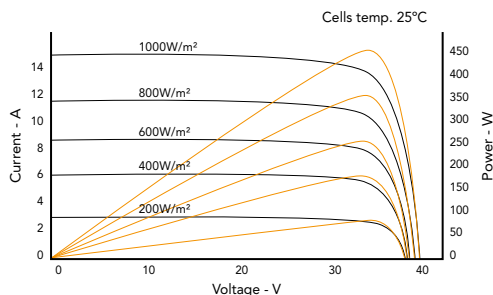
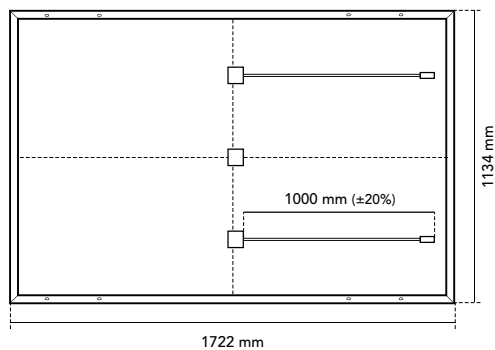
Awarded as TOP Brand PV
in -FR-SW-BE-UK-



Ecovadis
Platinum Medal



Eurener MEPV — NEXA STORM Double Glass Bifacial 420-450W



Mechanical Specification	
Solar cells	N-Type bifacial monocrystalline silicon cells
Front Glass	3.2 mm anti-reflective surface tempered solar glass
Back Glass	2 mm tempered solar glass
Frame	Black/silver anodized aluminium
Junction Box	IP68, 3 by-pass diodes
Connector	Original MC4-Evo 2
Cable	1000 mm (±20%) length and 4 mm² section
Dimension	1722 x 1134 x 30 mm (±1%)
Area	1.95 m²
Weight	25 kg
Packaging	936 pcs/truck

Temperature Coefficients	
Temperature coefficient of Isc (α)	0.045 %/°C
Temperature coefficient of Voc (β)	-0.275 %/°C
Temperature coefficient of Pmax (γ)	-0.29 %/°C
Temperature range	-40 °C ~ +85 °C
Nominal operating cell temperature (NOCT)	45 ± 2 °C

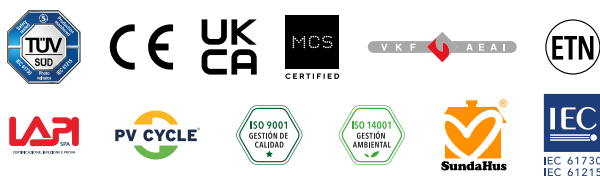
Electrical Characteristics	MEPV 420		MEPV 425		MEPV 430		MEPV 435		MEPV 440		MEPV 450	
	STC	NOCT	STC	NOCT	STC	NOCT	STC	NOCT	STC	NOCT	STC	NOCT
Nominal power. Pmax	420 Wp	322 Wp	425 Wp	325 Wp	430 Wp	329 Wp	435 Wp	333 Wp	440 Wp	337 Wp	450 Wp	345 Wp
Short-circuit current (Isc)	14.08 A	11.34 A	14.16 A	11.41 A	14.26 A	11.47 A	14.30 A	11.54 A	14.37 A	11.61 A	14.52 A	11.75 A
Open-circuit voltage (Voc)	38.09 V	36.52 V	38.28 V	36.70 V	38.42 V	36.88 V	38.70 V	37.06 V	38.91 V	37.24 V	39.33 V	37.61 V
Maximum power current (Imp)	13.34 A	10.75 A	13.42 A	10.81 A	13.52 A	10.88 A	13.56 A	10.94 A	13.63 A	11.01 A	13.76 A	11.14 A
Maximum power voltage (Vmp)	31.49 V	29.92 V	31.68 V	30.10 V	31.82 V	30.27 V	32.09 V	30.45 V	32.30 V	30.63 V	32.71 V	30.99 V
Module efficiency	21.51 %		21.76 %		22.02 %		22.28 %		22.53 %		23.04 %	

Electrical Characteristics	Bifacial gain 10%											
	Nominal power. Pmax	462 Wp		468 Wp		473 Wp		479 Wp		484 Wp		495 Wp
Short-circuit current (Isc)	15.43 A		15.52 A		15.63 A		15.67 A		15.81 A		15.97 A	
Open-circuit voltage (Voc)	38.09 V		38.31 V		38.49 V		38.85V		38.91 V		39.33 V	
Maximum power current (Imp)	14.63 A		14.72 A		14.82 A		14.86 A		14.99 A		15.13 A	
Maximum power voltage (Vmp)	31.58 V		31.76 V		31.91 V		32.21 V		32.30 V		32.71 V	

* STC: 1000 W/m², module temperature 25°C, AM 1.5
 * NOCT: 800 W/m², ambient temperature 20°C, AM 1.5

Operating parameters	
Maximum voltage	1500 V
Maximum series fuse rating. Ir	25 A
Power output tolerance	0 - +3%
Voc and Isc tolerance	±3%
Fire rating	Class C (UL 790)
Protection class	Class II (IEC 61140)
Mechanical loads	Front load 5400 Pa, Back load 2400 Pa

Corporate and product certificates
ECOVADIS rating - Platinum medal (TOP 1%)
Solar Industry Forced Labor Prevention Pledge by SEIA
ISO9001:2015 - Quality Management Systems
ISO14001:2015 - Environmental Management System
WEEE compliance in Germany
PV CYCLE Italy
IEC 61215 - Terrestrial photovoltaic (PV) modules - Design qualification and type approval
IEC 61730 - Photovoltaic (PV) module safety qualification
IEC 61701 - Photovoltaic (PV) modules - Salt mist corrosion testing
IEC 62716 - Photovoltaic (PV) modules - Ammonia corrosion testing
IEC TS 62804 - Photovoltaic (PV) modules - Test methods for the detection of potential-induced degradation
Hail resistance HW4/RG4
Certificate of Factory Production Control (UK) - MCS
Fire reaction class: 1 - LAPI
Assessed by Sundahus



NOTE: Read the safety and installation manual before using the product. This data sheet is not legally binding, Eurener reserves the right of final interpretation. Eurener reserves the right to change the product characteristics and/or specifications without prior notice. The latest versions of all documents can always be found on our website at www.eurener.com.

SINCE
1997
 more than
 energy

eurener.com
 contact@eurenerworld.com
 +34 960 045 515
 Calle Colón, 1-23
 46004, Valencia. Spain

European Experts in Residential modules

Since 1997 our main purpose has been to supply quality and long-lasting photovoltaic modules that allow us and future generations, to continue generating clean energy to take care of our planet.