

## Nexa TOPCon N-type

FRONT SIDE

# 420 - 450W

› Double Glass Bifacial

+23.0%

### Module efficiency

Module efficiency up to 23.04 %



### Different designs

Black - Silver



### Bifacial cell

Bifaciality factor:  $80 \pm 5\%$



### Hail resistance

RG3/HW3 certified



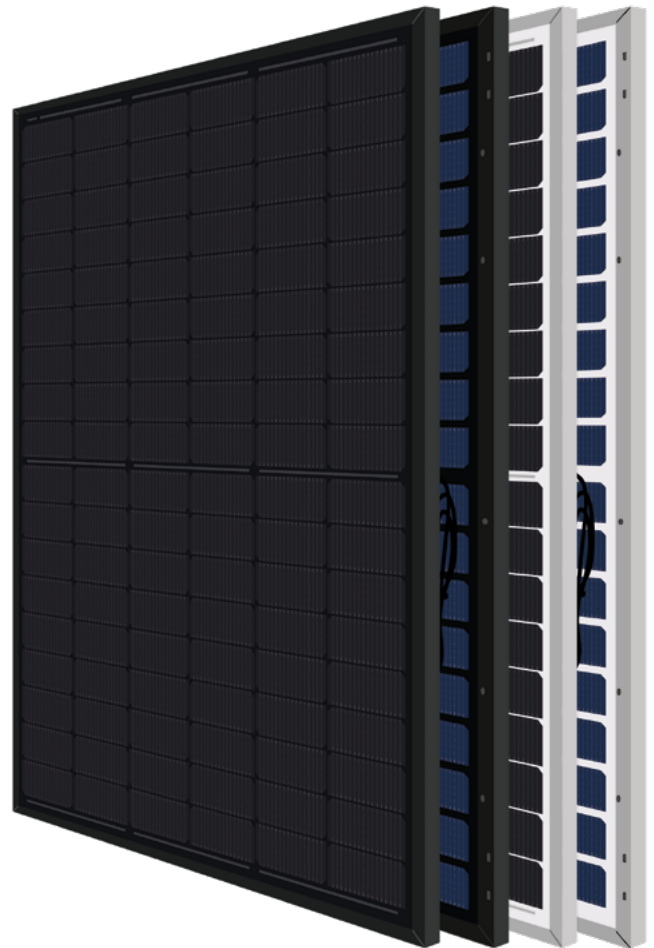
### PFAS free

Product free from perfluoroalkyl and polyfluoroalkyl substances



### Sustainable product

High percentage of recyclable materials



# 25

Years

**Product Warranty**

+5 years for Premium Partners

# 30

Years

**Performance Warranty**

Linear Warranty

**1%** First year degradation

**0.38%** Annual degradation

**88%** Power in year 30

### Light up your world with Eurener

Eurener's extensive portfolio of certifications and awards is testament to our unwavering commitment to our partners and our deep sense of social and ethical responsibility.



Spanish Quality  
Worldwide



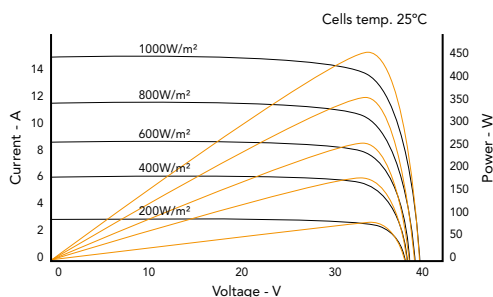
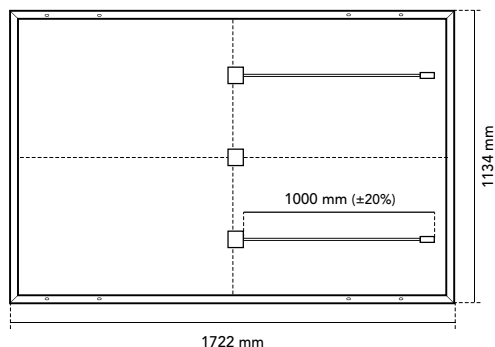
Awarded as TOP Brand PV  
in -FR-SW-BE-UK-



Ecovadis  
Platinum Medal



# Eurener MEPV — NEXA Double Glass Bifacial 420-450W



## Mechanical Specification

|              |  |
|--------------|--|
| Solar cells  | N-Type bifacial monocrystalline silicon cells    |
| Front Glass  | 2mm anti-reflective surface tempered solar glass |
| Back Glass   | 2mm tempered solar glass                         |
| Frame        | Black/silver anodized aluminium                  |
| Junction Box | IP68, 3 by-pass diodes                           |
| Connector    | Original MC4-Evo 2                               |
| Cable        | 1000 mm (±20%) length and 4 mm² section          |
| Dimension    | 1722 x 1134 x 30 mm (±1%)                        |
| Area         | 1.95 m²  |
| Weight       | 24 kg  |
| Packaging    | 962 pcs/truck                                    |

## Temperature Coefficients

|   |                 |
|---|-----------------|
| Temperature coefficient of Isc (α)        | 0.045 %/°C      |
| Temperature coefficient of Voc (β)        | -0.275 %/°C     |
| Temperature coefficient of Pmax (γ)       | -0.29 %/°C      |
| Temperature range                         | -40 °C ~ +85 °C |
| Nominal operating cell temperature (NOCT) | 45 ± 2 °C       |

|                             | MEPV 420 |         | MEPV 425 |         | MEPV 430 |         | MEPV 435 |         | MEPV 440 |         | MEPV 450 |         |
|-----------------------------|----------|---------|----------|---------|----------|---------|----------|---------|----------|---------|----------|---------|
| Electrical Characteristics  | STC      | NOCT    | STC      | NOCT    | STC      | NOCT    | STC      | NOCT    | STC      | NOCT    | STC      | NOCT    |
| Nominal power. Pmax         | 420 Wp   | 322 Wp  | 425 Wp   | 325 Wp  | 430 Wp   | 329 Wp  | 435 Wp   | 333 Wp  | 440 Wp   | 337 Wp  | 450 Wp   | 345 Wp  |
| Short-circuit current (Isc) | 14.08 A  | 11.34 A | 14.16 A  | 11.41 A | 14.26 A  | 11.47 A | 14.30 A  | 11.54 A | 14.37 A  | 11.61 A | 14.52 A  | 11.75 A |
| Open-circuit voltage (Voc)  | 38.09 V  | 36.52 V | 38.28 V  | 36.70 V | 38.42 V  | 36.88 V | 38.70 V  | 37.06 V | 38.91 V  | 37.24 V | 39.33 V  | 37.61 V |
| Maximum power current (Imp) | 13.34 A  | 10.75 A | 13.42 A  | 10.81 A | 13.52 A  | 10.88 A | 13.56 A  | 10.94 A | 13.63 A  | 11.01 A | 13.76 A  | 11.14 A |
| Maximum power voltage (Vmp) | 31.49 V  | 29.92 V | 31.68 V  | 30.10 V | 31.82 V  | 30.27 V | 32.09 V  | 30.45 V | 32.30 V  | 30.63 V | 32.71 V  | 30.99 V |
| Module efficiency           | 21.51 %  |         | 21.76 %  |         | 22.02 %  |         | 22.28 %  |         | 22.53 %  |         | 23.04 %  |         |

| Electrical Characteristics  | Bifacial gain 10% |  |         |  |         |  |         |  |         |  |         |  |
|-----------------------------|-------------------|--|---------|--|---------|--|---------|--|---------|--|---------|--|
| Nominal power. Pmax         | 462 Wp            |  | 468 Wp  |  | 473 Wp  |  | 479 Wp  |  | 484 Wp  |  | 495 Wp  |  |
| Short-circuit current (Isc) | 15.43 A           |  | 15.52 A |  | 15.63 A |  | 15.67 A |  | 15.81 A |  | 15.97 A |  |
| Open-circuit voltage (Voc)  | 38.09 V           |  | 38.31 V |  | 38.49 V |  | 38.85V  |  | 38.91 V |  | 39.33 V |  |
| Maximum power current (Imp) | 14.63 A           |  | 14.72 A |  | 14.82 A |  | 14.86 A |  | 14.99 A |  | 15.13 A |  |
| Maximum power voltage (Vmp) | 31.58 V           |  | 31.76 V |  | 31.91 V |  | 32.21 V |  | 32.30 V |  | 32.71 V |  |

\* STC: 1000 W/m², module temperature 25°C, AM 1.5  
 \* NOCT: 800 W/m², ambient temperature 20°C, AM 1.5

## Operating parameters

|                                |                                       |
|--------------------------------|---------------------------------------|
| Maximum voltage                | 1500 V                                |
| Maximum series fuse rating. Ir | 25 A                                  |
| Power output tolerance         | 0 - +3%                               |
| Voc and Isc tolerance          | ±3%                                   |
| Fire rating                    | Class C (UL 790)                      |
| Protection class               | Class II (IEC 61140)                  |
| Mechanical loads               | Front load 5400 Pa, Back load 2400 Pa |

## Corporate and product certificates

|  |
|--|
| ECOVADIS rating - Platinum medal (TOP 1%)  |
| Solar Industry Forced Labor Prevention Pledge by SEIA  |
| ISO9001:2015 - Quality Management Systems  |
| ISO14001:2015 - Environmental Management System  |
| WEEE compliance in Germany   |
| PV CYCLE Italy   |
| IEC 61215 - Terrestrial photovoltaic (PV) modules - Design qualification and type approval                 |
| IEC 61730 - Photovoltaic (PV) module safety qualification  |
| IEC 61701 - Photovoltaic (PV) modules - Salt mist corrosion testing  |
| IEC 62716 - Photovoltaic (PV) modules - Ammonia corrosion testing  |
| IEC TS 62804 - Photovoltaic (PV) modules - Test methods for the detection of potential-induced degradation |
| Hail resistance HW3/RG3  |
| Certificate of Factory Production Control (UK) - MCS   |
| Fire reaction class: 1 - LAPI  |
| Assessed by Sundahus   |



NOTE: Read the safety and installation manual before using the product. This data sheet is not legally binding, Eurener reserves the right of final interpretation. Eurener reserves the right to change the product characteristics and/or specifications without prior notice. The latest versions of all documents can always be found on our website at [www.eurener.com](http://www.eurener.com).

**SINCE 1997**  
 more than energy

**eurener.com**  
 contact@eurenerworld.com  
 +34 960 045 515  
 Calle Colón, 1-23  
 46004, Valencia. Spain

## European Experts in Residential modules

Since 1997 our main purpose has been to supply quality and long-lasting photovoltaic modules that allow us and future generations, to continue generating clean energy to take care of our planet.