

Icon PERC

> 400- 420W

+21.4%

Module efficiency
Module efficiency up to 21.49 %



Different designs
Black - Silver - Bicolour



PID resistance
Certified according to IEC TS 62804 standards



Increased resistance
Certified resistance against salt mist and ammonia



Hail resistance
RG3/HW3 certified



Easy to handle
Comfortable installation thanks to an optimized area size



20 Years

Product Warranty
+5 years for Premium Partners

30 Years

Performance Warranty
Linear Warranty

2% First year degradation

0.62% Annual degradation

80% Power in year 30

Light up your world with Eurener

Eurener's extensive portfolio of certifications and awards is testament to our unwavering commitment to our partners and our deep sense of social and ethical responsibility.



Spanish Quality
Worldwide



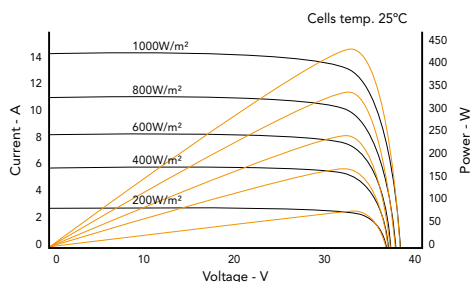
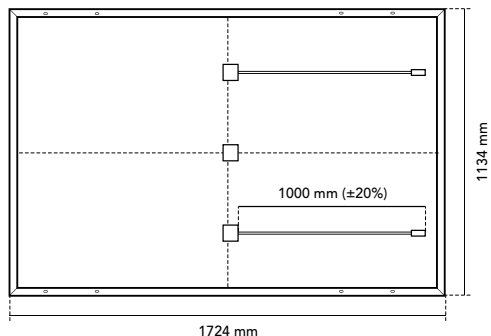
Awarded as TOP Brand PV
in -FR-SW-BE-UK-



Ecovadis
Platinum Medal



Eurener MEPV — ICON 400-420W



Mechanical Specification	
Solar cells	Monocrystalline silicon cells
Front Glass	3.2 mm thick tempered glass with high strength and ARC
Frame	Black/silver anodized aluminium
Junction Box	IP68, 3 by-pass diodes
Connector	Connector MC4 compatible
Cable	1000 mm (±20%) length and 4 mm ² section
Dimension	1724 x 1134 x 30 mm (±1%)
Area	1.96 m ²
Weight	21.5 kg
Packaging	962/936 pcs/truck

Temperature Coefficients	
Temperature coefficient of Isc (α)	0.044 %/°C
Temperature coefficient of Voc (β)	-0.276 %/°C
Temperature coefficient of Pmax (γ)	-0.35 %/°C
Temperature range	-40 °C ~ +85 °C
Nominal operating cell temperature (NOCT)	45 ± 2 °C

	MEPV 400	MEPV 410	MEPV 415	MEPV 420 SILVER ONLY
Electrical Characteristics STC				
Nominal power. Pmax	400 Wp	410 Wp	415 Wp	420 Wp
Short-circuit current (Isc)	13.79 A	13.95 A	14.02 A	14.10 A
Open-circuit voltage (Voc)	37.07 V	37.32 V	37.45 V	37.57 V
Maximum power current (Imp)	12.90 A	13.04 A	13.13 A	13.21 A
Maximum power voltage (Vmp)	31.01 V	31.45 V	31.61 V	31.81 V
Module efficiency	20.46 %	20.98 %	21.23 %	21.49 %
Electrical Characteristics NOCT				
Nominal power. Pmax	302 Wp	309 Wp	313 Wp	317 Wp
Short-circuit current (Isc)	11.13 A	11.26 A	11.31 A	11.38 A
Open-circuit voltage (Voc)	35.02 V	35.26 V	35.38 V	35.50 V
Maximum power current (Imp)	10.42 A	10.53 A	10.60 A	10.67 A
Maximum power voltage (Vmp)	28.96 V	29.39 V	29.54 V	29.74 V

* STC: 1000 W/m², module temperature 25°C, AM 1.5

* NOCT: 800 W/m², ambient temperature 20°C, AM 1.5

Operating parameters	
Maximum voltage	1500 V
Maximum series fuse rating. Ir	25 A
Power output tolerance	0 - +3%
Voc and Isc tolerance	±3%
Fire rating	Class C (UL 790)
Protection class	Class II (IEC 61140)
Mechanical loads	Front load 5400 Pa, Back load 2400 Pa

Corporate and product certificates
ECOVADIS rating - Platinum medal (TOP 1%)
Solar Industry Forced Labor Prevention Pledge by SEIA
ISO9001:2015 - Quality Management Systems
ISO14001:2015 - Environmental Management System
WEEE compliance in Germany
PV CYCLE Italy
IEC 61215 - Terrestrial photovoltaic (PV) modules - Design qualification and type approval
IEC 61730 - Photovoltaic (PV) module safety qualification
IEC 61701 - Photovoltaic (PV) modules - Salt mist corrosion testing
IEC 62716 - Photovoltaic (PV) modules - Ammonia corrosion testing
IEC TS 62804 - Photovoltaic (PV) modules - Test methods for the detection of potential-induced degradation
Hail resistance HW3/RG3
Certificate of Factory Production Control (UK) - MCS
Fire reaction class: 1 - LAPI
Assessed by Sundahus



NOTE: Read the safety and installation manual before using the product. This data sheet is not legally binding, Eurener reserves the right of final interpretation. Eurener reserves the right to change the product characteristics and/or specifications without prior notice. The latest versions of all documents can always be found on our website at www.eurener.com.

SINCE
1997
more than
energy

eurener.com
contact@eurenerworld.com
+34 960 045 515
Calle Colón, 1-23
46004, Valencia. Spain

European Experts in Residential modules

Since 1997 our main purpose has been to supply quality and long-lasting photovoltaic modules that allow us and future generations, to continue generating clean energy to take care of our planet.