

Nexa TOPCon N-type

FRONT SIDE

420 - 450W

› Double Glass Bifacial

+23.0%

Module efficiency

Module efficiency up to 23.04 %



Different designs

Black - Silver



Bifacial cell

Bifaciality factor: $80 \pm 5 \%$



Fire rating

Class A



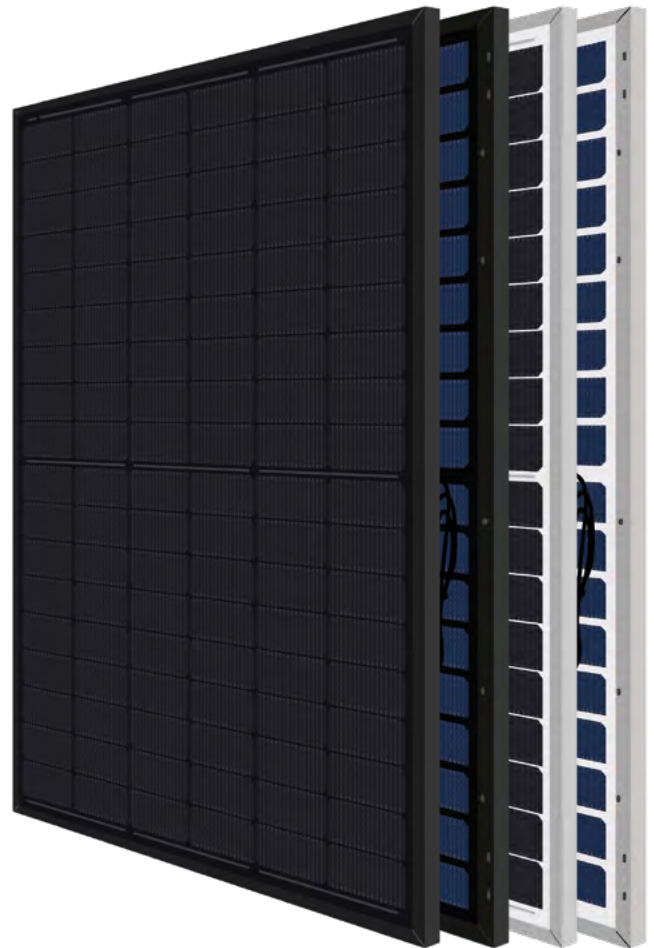
PFAS free

Product free from perfluoroalkyl and polyfluoroalkyl substances



Sustainable product

High percentage of recyclable materials



25 Years

Product Warranty

+5 years for Premium Partners

30 Years

Performance Warranty

Linear Warranty

1% First year degradation

0.38% Annual degradation

88% Power in year 30

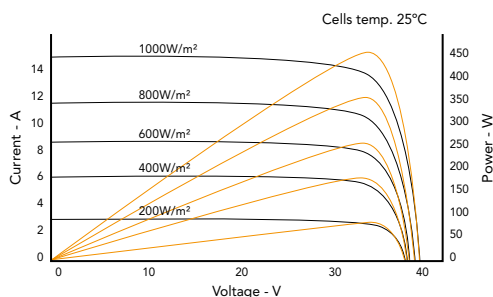
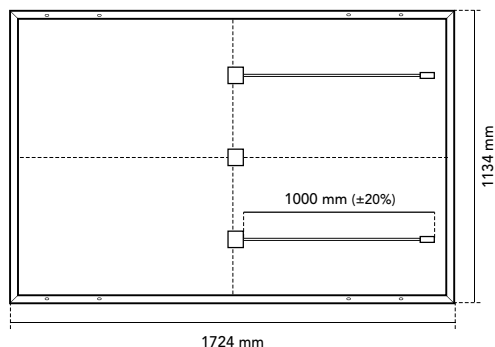
Light up your world with Eurener

Eurener's extensive portfolio of certifications and awards is testament to our unwavering commitment to our partners and our deep sense of social and ethical responsibility.





Eurener MEPV — NEXA Double Glass Bifacial 420-450W



Mechanical Specification

| | |
|--------------|--|
| Solar cells | N-Type bifacial monocrystalline silicon cells |
| Front Glass | 2mm anti-reflective surface tempered solar glass |
| Back Glass | 2mm tempered solar glass |
| Frame | Black/silver anodized aluminium |
| Junction Box | IP68, 3 by-pass diodes |
| Connector | Original MC4-Evo 2 |
| Cable | 1000 mm (±20%) length and 4 mm² section |
| Dimension | 1724 x 1134 x 30 mm (±1%) |
| Area | 1.96 m² |
| Weight | 24 kg |
| Packaging | 962 pcs/truck |

Temperature Coefficients

| | |
|---|-----------------|
| Temperature coefficient of Isc (α) | 0.045 %/°C |
| Temperature coefficient of Voc (β) | -0.275 %/°C |
| Temperature coefficient of Pmax (γ) | -0.29 %/°C |
| Temperature range | -40 °C ~ +85 °C |
| Nominal operating cell temperature (NOCT) | 45 ± 2 °C |

| Electrical Characteristics | MEPV 420 | | MEPV 425 | | MEPV 430 | | MEPV 435 | | MEPV 440 | | MEPV 450 | |
|-----------------------------|----------|---------|----------|---------|----------|---------|----------|---------|----------|---------|----------|---------|
| | STC | NOCT | STC | NOCT | STC | NOCT | STC | NOCT | STC | NOCT | STC | NOCT |
| Nominal power. Pmax | 420 Wp | 322 Wp | 425 Wp | 325 Wp | 430 Wp | 329 Wp | 435 Wp | 333 Wp | 440 Wp | 337 Wp | 450 Wp | 345 Wp |
| Short-circuit current (Isc) | 14.08 A | 11.34 A | 14.16 A | 11.41 A | 14.26 A | 11.47 A | 14.30 A | 11.54 A | 14.37 A | 11.61 A | 14.52 A | 11.75 A |
| Open-circuit voltage (Voc) | 38.09 V | 36.52 V | 38.28 V | 36.70 V | 38.42 V | 36.88 V | 38.70 V | 37.06 V | 38.91 V | 37.24 V | 39.33 V | 37.61 V |
| Maximum power current (Imp) | 13.34 A | 10.75 A | 13.42 A | 10.81 A | 13.52 A | 10.88 A | 13.56 A | 10.94 A | 13.63 A | 11.01 A | 13.76 A | 11.14 A |
| Maximum power voltage (Vmp) | 31.49 V | 29.92 V | 31.68 V | 30.10 V | 31.82 V | 30.27 V | 32.09 V | 30.45 V | 32.30 V | 30.63 V | 32.71 V | 30.99 V |
| Module efficiency | 21.49 % | | 21.75 % | | 22.01 % | | 22.26 % | | 22.52 % | | 23.04 % | |

| Electrical Characteristics | Bifacial gain 10% | | | | | | | | | | | |
|-----------------------------|-------------------|--|---------|--|---------|--|---------|--|---------|--|---------|--|
| Nominal power. Pmax | 462 Wp | | 468 Wp | | 473 Wp | | 479 Wp | | 484 Wp | | 495 Wp | |
| Short-circuit current (Isc) | 15.43 A | | 15.52 A | | 15.63 A | | 15.67 A | | 15.81 A | | 15.97 A | |
| Open-circuit voltage (Voc) | 38.09 V | | 38.31 V | | 38.49 V | | 38.85 V | | 38.91 V | | 39.33 V | |
| Maximum power current (Imp) | 14.63 A | | 14.72 A | | 14.82 A | | 14.86 A | | 14.99 A | | 15.13 A | |
| Maximum power voltage (Vmp) | 31.58 V | | 31.76 V | | 31.91 V | | 32.21 V | | 32.30 V | | 32.71 V | |

* STC: 1000 W/m², module temperature 25°C, AM 1.5
 * NOCT: 800 W/m², ambient temperature 20°C, AM 1.5

Operating parameters

| | |
|--------------------------------|---------------------------------------|
| Maximum voltage | 1000 - 1500 V |
| Maximum series fuse rating. Ir | 25 A |
| Power output tolerance | 0 - +3% |
| Voc and Isc tolerance | ±3% |
| Fire rating | Class A (UL 790) |
| Protection class | Class II (IEC 61140) |
| Mechanical loads | Front load 5400 Pa, Back load 2400 Pa |

Corporate and product certificates

| |
|--|
| ECOVADIS rating - Platinum medal (TOP 1%) |
| Solar Industry Forced Labor Prevention Pledge by SEIA |
| ISO9001:2015 - Quality Management Systems |
| ISO14001:2015 - Environmental Management System |
| WEEE compliance in Germany |
| PV CYCLE Italy |
| IEC 61215 - Terrestrial photovoltaic (PV) modules - Design qualification and type approval |
| IEC 61730 - Photovoltaic (PV) module safety qualification |
| IEC 61701 - Photovoltaic (PV) modules - Salt mist corrosion testing |
| IEC 62716 - Photovoltaic (PV) modules - Ammonia corrosion testing |
| IEC TS 62804 - Photovoltaic (PV) modules - Test methods for the detection of potential-induced degradation |
| Hail resistance HW3/RG3 |
| Certificate of Factory Production Control (UK) - MCS |
| Fire reaction class: 1 - LAPI |
| Assessed by Sundahus |



NOTE: Read the safety and installation manual before using the product. This data sheet is not legally binding, Eurener reserves the right of final interpretation. Eurener reserves the right to change the product characteristics and/or specifications without prior notice. The latest versions of all documents can always be found on our website at www.eurener.com.

SINCE 1997
 more than energy

eurener.com
 contact@eurenerworld.com
 +34 960 045 515
 Calle Colón, 1-23
 46004, Valencia. Spain

European Experts in Residential modules

Since 1997 our main purpose has been to supply quality and long-lasting photovoltaic modules that allow us and future generations, to continue generating clean energy to take care of our planet.