

Icon PERC

> **400- 420W**

+21.4%

Module efficiency
Module efficiency up to 21.49 %



Different designs
Black - Silver - Bicolour



PID resistance
Certified according to IEC TS 62804 standards



Increased resistance
Certified resistance against salt mist and ammonia



Hail resistance
RG3/HW3 certified



Easy to handle
Comfortable installation thanks to an optimized area size



20 Years

Product Warranty
+5 years for Premium Partners

30 Years

Performance Warranty
Linear Warranty

2% First year degradation

0.62% Annual degradation

80% Power in year 30

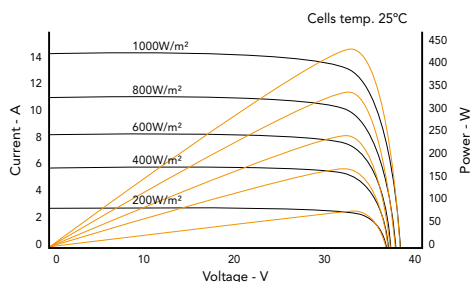
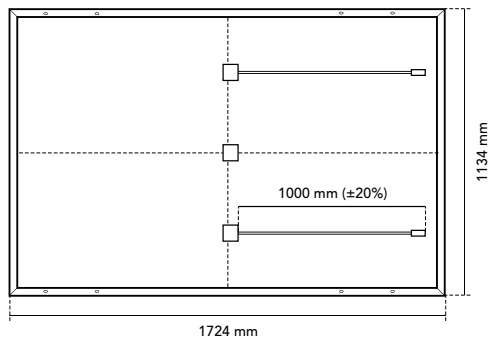
Light up your world with Eurener

Eurener's extensive portfolio of certifications and awards is testament to our unwavering commitment to our partners and our deep sense of social and ethical responsibility.





Eurener MEPV — ICON 400-420W



| Mechanical Specification | |
|--------------------------|--------------------------------------------------------|
| Solar cells | Monocrystalline silicon cells |
| Front Glass | 3.2 mm thick tempered glass with high strength and ARC |
| Frame | Black/silver anodized aluminium |
| Junction Box | IP68, 3 by-pass diodes |
| Connector | Connector MC4 compatible |
| Cable | 1000 mm (±20%) length and 4 mm ² section |
| Dimension | 1724 x 1134 x 30 mm (±1%) |
| Area | 1.96 m ² |
| Weight | 21.5 kg |
| Packaging | 962/936 pcs/truck |

| Temperature Coefficients | |
|-------------------------------------------|-----------------|
| Temperature coefficient of Isc (α) | 0.044 %/°C |
| Temperature coefficient of Voc (β) | -0.276 %/°C |
| Temperature coefficient of Pmax (γ) | -0.35 %/°C |
| Temperature range | -40 °C ~ +85 °C |
| Nominal operating cell temperature (NOCT) | 45 ± 2 °C |

| | MEPV 400 | MEPV 410 | MEPV 415 | MEPV 420 SILVER ONLY |
|---------------------------------------------------------------------------|----------|----------|----------|-------------------------|
| Electrical Characteristics STC | | | | |
| Nominal power. Pmax | 400 Wp | 410 Wp | 415 Wp | 420 Wp |
| Short-circuit current (Isc) | 13.79 A | 13.95 A | 14.02 A | 14.10 A |
| Open-circuit voltage (Voc) | 37.07 V | 37.32 V | 37.45 V | 37.57 V |
| Maximum power current (Imp) | 12.90 A | 13.04 A | 13.13 A | 13.21 A |
| Maximum power voltage (Vmp) | 31.01 V | 31.45 V | 31.61 V | 31.81 V |
| Module efficiency | 20.46 % | 20.98 % | 21.23 % | 21.49 % |
| Electrical Characteristics NOCT | | | | |
| Nominal power. Pmax | 302 Wp | 309 Wp | 313 Wp | 317 Wp |
| Short-circuit current (Isc) | 11.13 A | 11.26 A | 11.31 A | 11.38 A |
| Open-circuit voltage (Voc) | 35.02 V | 35.26 V | 35.38 V | 35.50 V |
| Maximum power current (Imp) | 10.42 A | 10.53 A | 10.60 A | 10.67 A |
| Maximum power voltage (Vmp) | 28.96 V | 29.39 V | 29.54 V | 29.74 V |

* STC: 1000 W/m², module temperature 25°C, AM 1.5
 * NOCT: 800 W/m², ambient temperature 20°C, AM 1.5

| Operating parameters | |
|--------------------------------|---------------------------------------|
| Maximum voltage | 1000 - 1500 V |
| Maximum series fuse rating. Ir | 25 A |
| Power output tolerance | 0 - +3% |
| Voc and Isc tolerance | ±3% |
| Fire rating | Class C (UL 790) |
| Protection class | Class II (IEC 61140) |
| Mechanical loads | Front load 5400 Pa, Back load 2400 Pa |

| Corporate and product certificates |
|------------------------------------------------------------------------------------------------------------|
| ECOVADIS rating - Platinum medal (TOP 1%) |
| Solar Industry Forced Labor Prevention Pledge by SEIA |
| ISO9001:2015 - Quality Management Systems |
| ISO14001:2015 - Environmental Management System |
| WEEE compliance in Germany |
| PV CYCLE Italy |
| IEC 61215 - Terrestrial photovoltaic (PV) modules - Design qualification and type approval |
| IEC 61730 - Photovoltaic (PV) module safety qualification |
| IEC 61701 - Photovoltaic (PV) modules - Salt mist corrosion testing |
| IEC 62716 - Photovoltaic (PV) modules - Ammonia corrosion testing |
| IEC TS 62804 - Photovoltaic (PV) modules - Test methods for the detection of potential-induced degradation |
| Hail resistance HW3/RG3 |
| Certificate of Factory Production Control (UK) - MCS |
| Fire reaction class: 1 - LAPI |
| Assessed by Sundahus |



NOTE: Read the safety and installation manual before using the product. This data sheet is not legally binding, Eurener reserves the right of final interpretation. Eurener reserves the right to change the product characteristics and/or specifications without prior notice. The latest versions of all documents can always be found on our website at www.eurener.com.

SINCE
1997
 more than
 energy

eurener.com
 contact@eurenerworld.com
 +34 960 045 515
 Calle Colón, 1-23
 46004, Valencia. Spain

European Experts in Residential modules

Since 1997 our main purpose has been to supply quality and long-lasting photovoltaic modules that allow us and future generations, to continue generating clean energy to take care of our planet.