

Monocrystalline Photovoltaic Module »



MEPV 80 HALF-CUT

STANDARD »
400 / 410 / **420 Wp**

QUALITY »



80 cells
Half-Cut monocrystalline



+21%
Efficiency
410Wp - 420Wp



Fire resistance
Maximum protection



+5W
Positive power tolerance



Avoid losses
Better shading tolerance



Load endurance
Front load / Back load

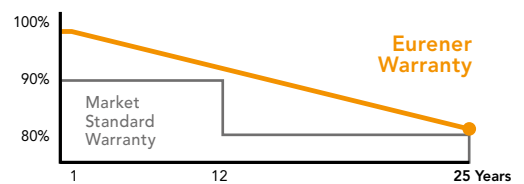


*** EUROPEAN QUALITY ***

WARRANTIES »

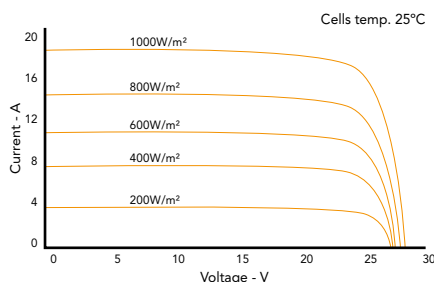
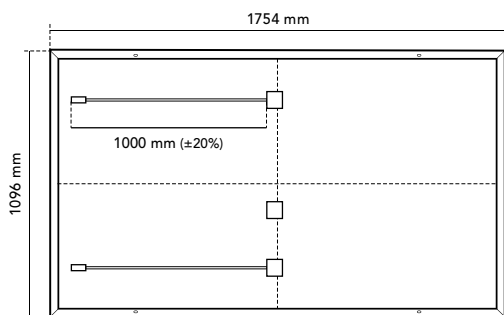
20 YEARS PRODUCT WARRANTY
+5 years for Premium Partners

25 YEARS PERFORMANCE WARRANTY
Linear Warranty



CERTIFICATES »





FRAME

Silver anodized aluminium

Robust and resistant to corrosion

JUNCTION BOX

Sealed, robust and wide for heat dissipation

IP67/IP68 according to IEC 60529

Diodes by-pass built-in 3

Connector MC4 compatible

Cables 1000 mm (±20%) length and 4 mm² section

FRONTAL

3,2 mm thick tempered glass with high strength and ARC

Textured, extra-clear with low iron content

Frontal load (snow) 5400 Pa | Back load (wind) 2400 Pa

SOLAR CELLS

80 [2x(8x5)] cells monocrystalline silicon

WEIGHT AND DIMENSIONS

21 Kg | 1754 x 1096 x 30 mm (±1%) | Pack: 936 pcs-truck

ELECTRIC DATA »

STANDARD	MEPV 400	MEPV 410	MEPV 420
STC: 1000 W/m², module temperature 25°C, AM 1,5			
Nominal power. Pmax	400 Wp	410 Wp	420 Wp
Max. power tolerance. Pmax	0 / +5 W	0 / +5 W	0 / +5 W
Area of the module	1,92 m ²		
Module efficiency	20,82 %	21,33 %	21,85 %
Isc	18,36 A	18,53 A	18,72 A
Voc	27,77 V	28,15 V	28,55 V
Imp	17,30 A	17,48 A	17,60 A
Vmp	23,13 V	23,46 V	23,87 V
NOCT: 800 W/m², ambient temperature 20°C, AM 1,5			
Nominal power. Pmax	307,28 W	311,11 W	315,11 W
Isc	15,61 A	15,65 A	15,71 A
Voc	25,64 V	25,86 V	26,11 V
Imp	14,57 A	14,62 A	14,67 A
Vmp	21,09 V	21,28 V	21,48 V
Operating parameters. Temperature coefficients			
Maximum voltage	1500 V		
Maximum series fuse rating. Ir	20 A		
α Isc	0,04 % / °C		
β Voc	- 0,25 % / °C		
γ Pmax	- 0,34 % / °C		
Temperature range	- 40 °C ~ + 85 °C		
NOCT	43 ± 2 °C		

NOTE: Read the instruction manual of this product and follow the indications STC. Values are valid for: 1000W/m², AM 1,5 and cells temperature of 25°C. Measurement tolerance +/-3% (AAA Solar simulation -IEC 60.904-9-). All the information of this brochure may be amended without notice by Eurener. Eurener_MEPV 80_HALF-CUT_400-420Wp_EN_AUG2023