

Polycrystalline Photovoltaic Module »



PEPV 72 STANDARD

BLACK - STANDARD - BICOLOUR »
340 / 345 Wp

QUALITY »



72 cells
Polycrystalline



Long durability
Continuous performance



+5W
Positive power tolerance



Fire resistance
Maximum protection



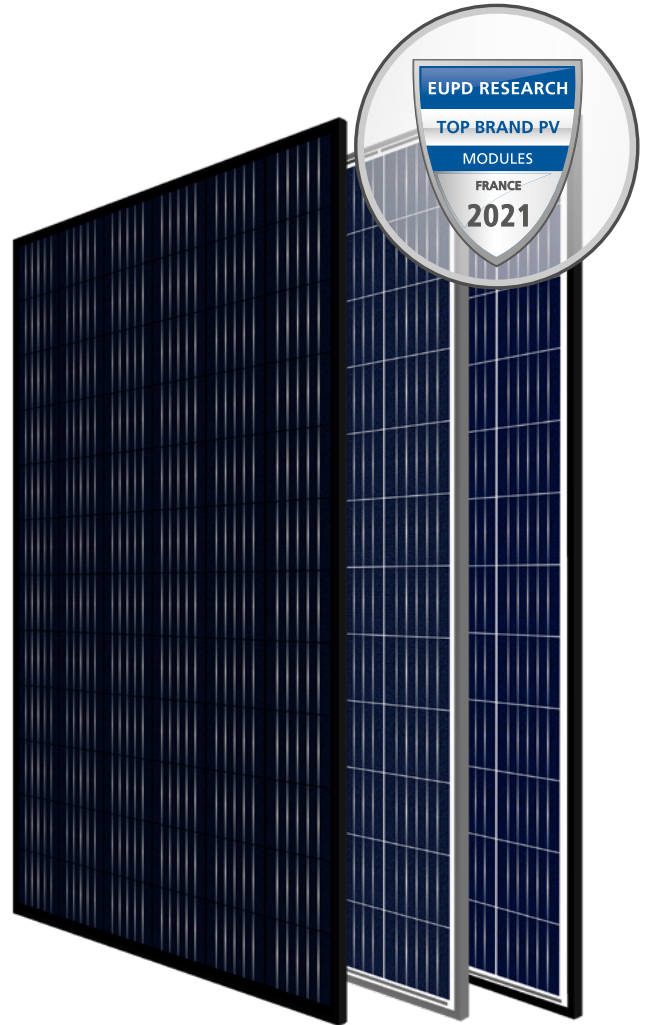
Proven technology
More reliable



Optimal performance
Power and efficiency



MORE THAN
25
YEARS
ANNIVERSARY



WARRANTIES »

15 YEARS PRODUCT WARRANTY

25 YEARS PERFORMANCE WARRANTY
Linear Warranty

PRODUCT WARRANTY
for Premium Partners

+5
YEARS

CERTIFICATES »



TECHNICAL FEATURES »

Eurener_PEPV 72_STANDARD_5BB_340-345Wp_2022EN

FRAME

Black / Silver anodized aluminium

Robust and resistant to corrosion

CONNECTION BOX AND PROTECTIONS

Sealed, robust and wide for heat dissipation

IP67/IP68 according to IEC 60529

Diodes by-pass built-in (3/6)

Connector MC4 compatible

Application Class A. Safety Class II

Cables 1000 mm ($\pm 20\%$) length and 4 mm² section

FRONTAL

3,2 mm thick tempered glass with high strength and ARC

Textured, extra-clear with low iron content

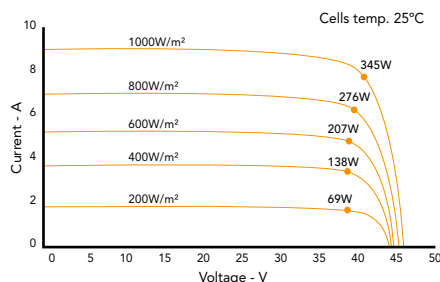
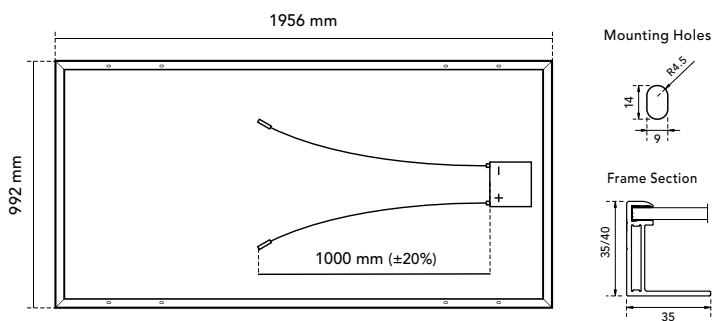
Frontal load (snow) 5.400 Pa | Back load (wind) 2.400 Pa

SOLAR CELLS

72 cells polycrystalline silicon

WEIGHT, DIMENSIONS AND PACKAGING

22,50 Kg | 1956 x 992 x 35/40 mm ($\pm 1\%$) | Pack: 724/624 pcs-truck



ELECTRIC DATA »

BLACK - STANDARD - BICOLOUR	PEPV 340	PEPV 345
STC: 1000 W/m ² , module temperature 25°C, AM 1,5		
Nominal power. P _{mpp}	340 Wp	345 Wp
Tolerance. P _{mpp}	0 / +5 W	0 / +5 W
Area of the module	1,94 m ²	
Module efficiency	17,53 %	17,79 %
I _{sc}	9,42 A	9,52 A
V _{oc}	46,20 V	46,70 V
I _{mp}	9,00 A	9,11 A
V _{mp}	37,80 V	37,90 V
NOCT: 800 W/m ² , ambient temperature 20°C, AM 1,5		
Nominal power. P _{mpp}	252,35 W	255,17 W
I _{sc}	7,60 A	7,68 A
V _{oc}	42,80 V	43,00 V
I _{mp}	7,21 A	7,27 A
V _{mp}	35,00 V	35,10 V
Operating parameters. Temperature coefficients		
Maximum voltage	1000 - 1500 V	
Maximum series fuse rating. I _r	15 A	
α I _{sc}	0,060 % / °C	
β V _{oc}	- 0,30 % / °C	
γ P _{max}	- 0,40 % / °C	
Temperature range	- 40°C ~ + 85 °C	
NOCT	45 \pm 2 °C	

NOTE: Read the instruction manual of this product and follow the indications STC. Values are valid for: 1000W/m², AM 1,5 and cells temperature of 25°C. Measurement tolerance +/-3% (AAA Solar simulation -IEC 60.904-9-). All the information of this brochure may be amended without notice by Eurener. Eurener_PEPV 72_STANDARD_5BB_340-345Wp_EN_JAN2022

Contact us » www.eurenergroupp.com

contact@eurenerworld.com

+34 960 045 515

Calle Colón, 1-23
46004, Valencia. Spain

More than energy!

"More than energy" means being able to generate electricity in a clean and respectful way and to integrate photovoltaics with the least visual impact...