

Monocrystalline Photovoltaic Module »



# MEPV 60 TURBO SUPERIOR

BLACK - STANDARD - BICOLOUR »  
300 / 310 / 315 / **320 Wp**

## QUALITY »



**60 cells**  
Monocrystalline



**+5W**  
Positive power tolerance



**Long durability**  
Continuous performance



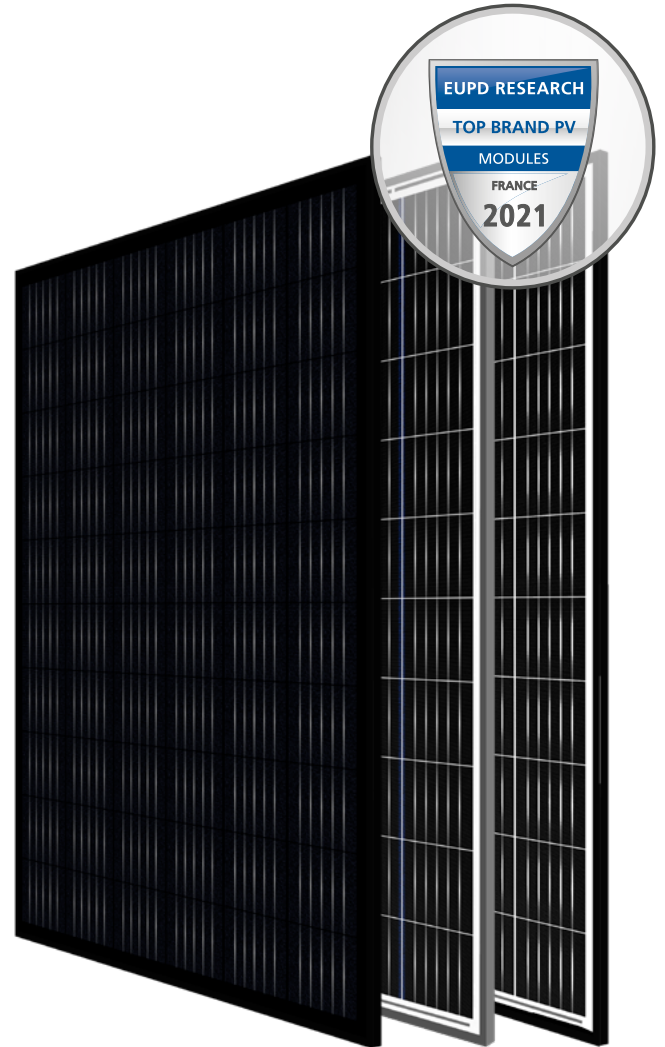
**Proven technology**  
More reliable



**Fire resistance**  
Maximum protection



**Optimal performance**  
Power and efficiency



MORE THAN  
**25**  
YEARS  
ANNIVERSARY

## WARRANTIES »

**15** YEARS PRODUCT WARRANTY

**25** YEARS PERFORMANCE WARRANTY  
Linear Warranty

PRODUCT WARRANTY  
for Premium Partners

**+5**  
YEARS

## CERTIFICATES »



## TECHNICAL FEATURES »

### Eurener\_MEPV 60\_TURBO SUPERIOR\_5BB\_300-320Wp\_2022EN

#### FRAME

Black / Silver anodized aluminium

Robust and resistant to corrosion

#### CONNECTION BOX AND PROTECTIONS

Sealed, robust and wide for heat dissipation

IP67/IP68 according to IEC 60529

Diodes by-pass built-in (3/6)

Connector MC4 compatible

Application Class A. Safety Class II

Cables 1000 mm ( $\pm 20\%$ ) length and 4 mm<sup>2</sup> section

#### FRONTAL

3,2 mm thick tempered glass with high strength and ARC

Textured, extra-clear with low iron content

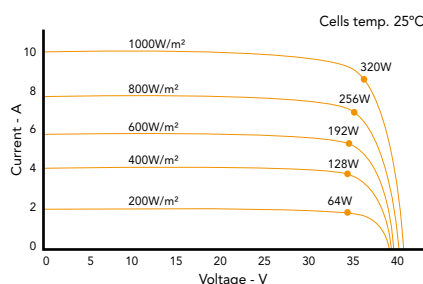
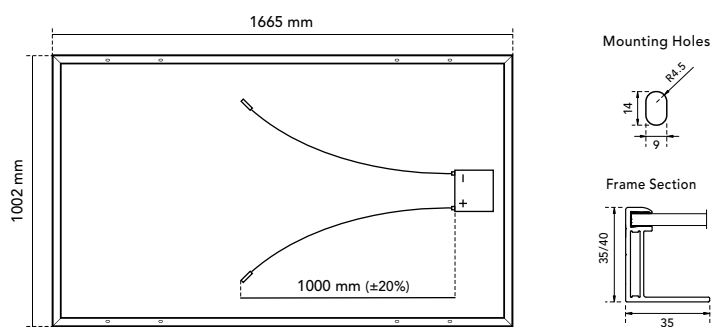
Frontal load (snow) 5.400 Pa | Back load (wind) 2.400 Pa

#### SOLAR CELLS

60 cells monocrystalline silicon

#### WEIGHT, DIMENSIONS AND PACKAGING

19 Kg | 1665 x 1002 x 35/40 mm ( $\pm 1\%$ ) | Pack: 896/784 pcs-truck



## ELECTRIC DATA »

BLACK - STANDARD - BICOLOUR	MEPV 300	MEPV 310	MEPV 315	MEPV 320
STC: 1000 W/m <sup>2</sup> , module temperature 25°C, AM 1,5				
Nominal power. P <sub>mpp</sub>	300 Wp	310 Wp	315 Wp	320 Wp
Tolerance. P <sub>mpp</sub>	0 / +5 W	0 / +5 W	0 / +5 W	0 / +5 W
Area of the module	1,67 m <sup>2</sup>			
Module efficiency	17,98 %	18,59 %	18,88 %	19,19 %
I <sub>sc</sub>	9,82 A	9,93 A	10,04 A	10,15 A
V <sub>oc</sub>	40,30 V	40,50 V	40,70 V	40,90 V
I <sub>mpp</sub>	9,15 A	9,40 A	9,49 A	9,59 A
V <sub>mpp</sub>	32,80 V	33,00 V	33,20 V	33,40 V
NOCT: 800 W/m <sup>2</sup> , ambient temperature 20°C, AM 1,5				
Nominal power. P <sub>mpp</sub>	223,61 W	231,11 W	235,87 W	239,26 W
I <sub>sc</sub>	7,90 A	7,99 A	8,33 A	8,44 A
V <sub>oc</sub>	37,28 V	37,46 V	37,60 V	37,80 V
I <sub>mpp</sub>	7,37 A	7,57 A	7,56 A	7,62 A
V <sub>mpp</sub>	30,34 V	30,53 V	31,20 V	31,40 V
Operating parameters. Temperature coefficients				
Maximum voltage	1000 - 1500 V			
Maximum series fuse rating. I <sub>r</sub>	20 A			
$\alpha$ I <sub>sc</sub>	0,048 % / °C			
$\beta$ V <sub>oc</sub>	- 0,28 % / °C			
$\gamma$ P <sub>max</sub>	- 0,37 % / °C			
Temperature range	- 40°C ~ + 85 °C			
NOCT	45 $\pm$ 2 °C			

NOTE: Read the instruction manual of this product and follow the indications STC. Values are valid for: 1000W/m<sup>2</sup>, AM 1,5 and cells temperature of 25°C. Measurement tolerance +/-3% (AAA Solar simulation -IEC 60.904-9-). All the information of this brochure may be amended without notice by Eurener. Eurener\_MEPV 60\_TURBO SUPERIOR\_5BB\_300-320Wp\_EN\_JAN2022

Contact us » [www.eurenergroupp.com](http://www.eurenergroupp.com)

[contact@eurenerworld.com](mailto:contact@eurenerworld.com)

+34 960 045 515

Calle Colón, 1-23  
46004, Valencia. Spain

More than energy!

"More than energy" means being able to generate electricity in a clean and respectful way and to integrate photovoltaics with the least visual impact...